



No. 47-1, Jhongjheng Rd., Minsyong Industrial Zone,
Minsyong Township, Chiayi County, Taiwan, R.O.C. 621
Tel:+886-5-220-6695
Fax: +886-5-221-8320
e-mail: aone.motor@msa.hinet.net

PART LIST-CHASSIS

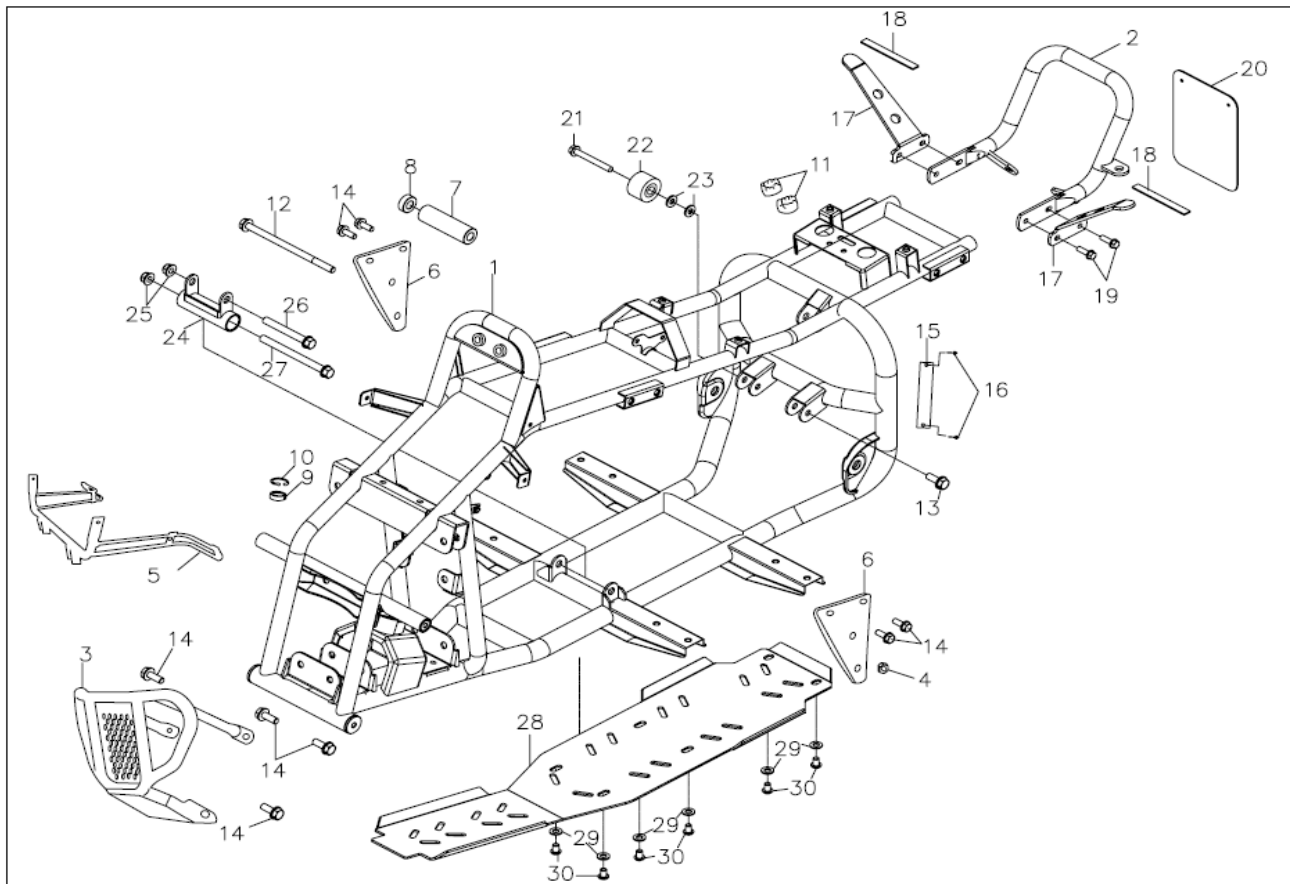
BOM NO.: Z7A1B-100L-GE

制定部門： 設計課
編訂： 陳俊欽
審查： 陳俊欽
核准： 陳俊欽
發行日期： 2013.9.15

修改記錄

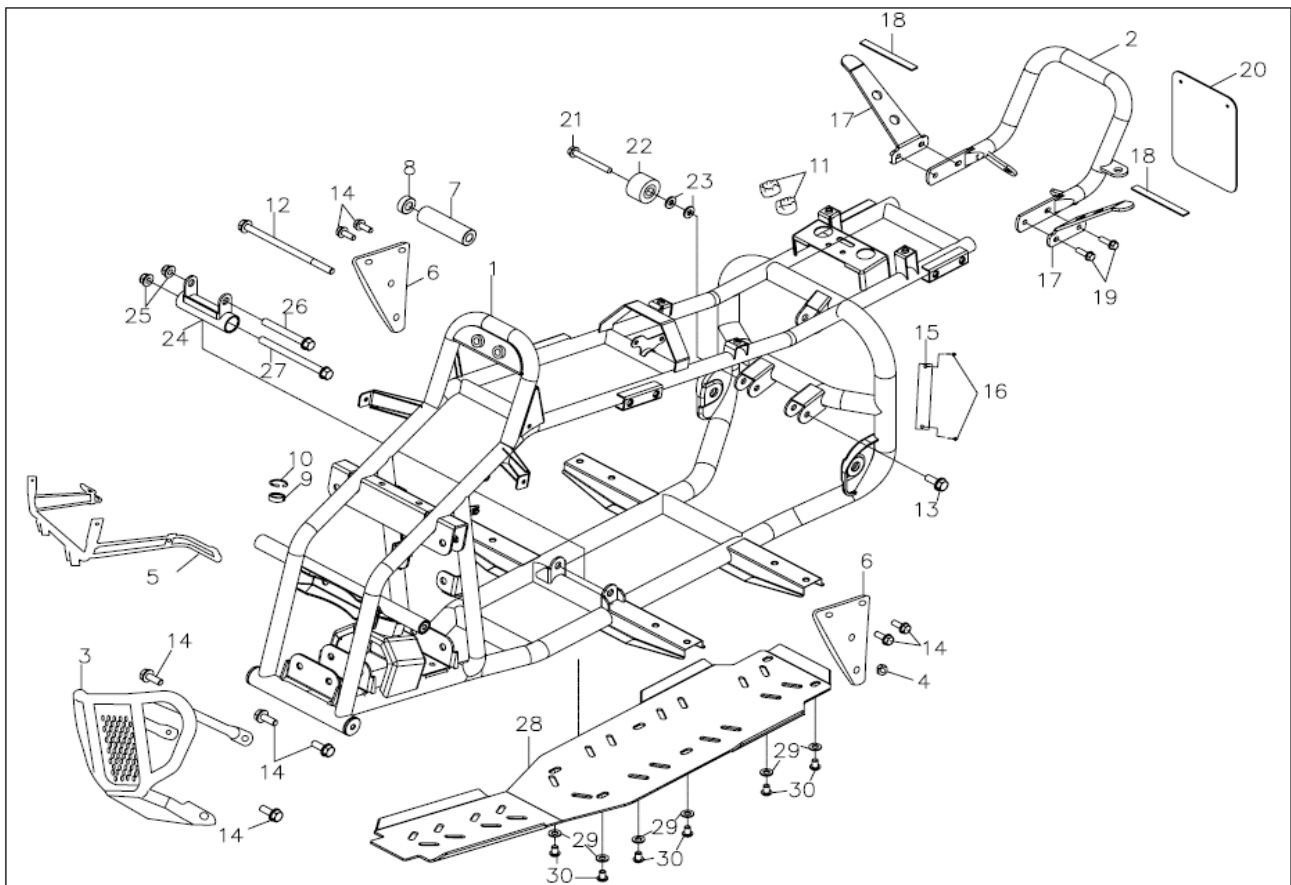
| 版別 | 原頁次 | 修訂日期 | 修訂摘要 | 新頁次 | 審核 |
|----|-----|------|------|-----|----|
| | | | | | |
| | | | | | |
| | | | | | |
| | | | | | |
| | | | | | |
| | | | | | |
| | | | | | |
| | | | | | |
| | | | | | |
| | | | | | |
| | | | | | |
| | | | | | |
| | | | | | |
| | | | | | |
| | | | | | |
| | | | | | |
| | | | | | |
| | | | | | |
| | | | | | |
| | | | | | |
| | | | | | |

F1, Frame Body



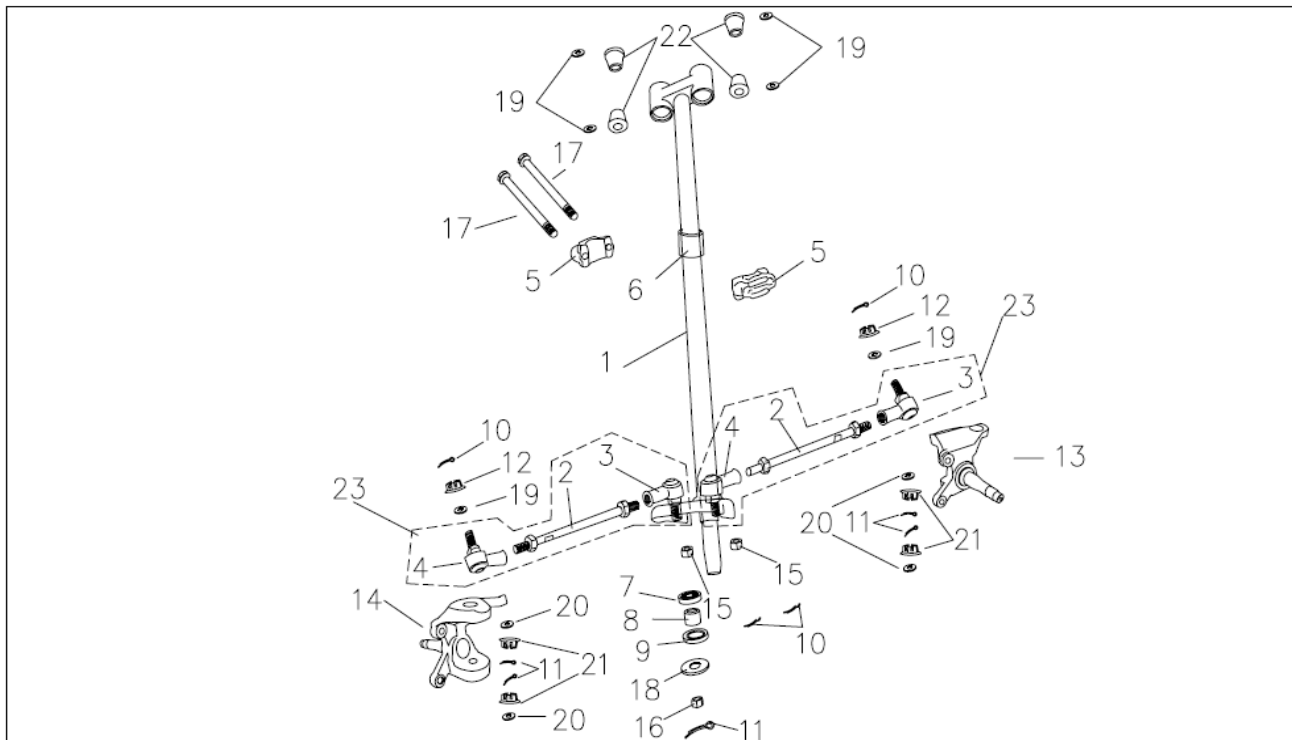
| Item | Part No. | Part Name | Spec. | Q'ty |
|------|------------------|-------------------------------------|-------------|------|
| 1 | 50100-7A1-00A | 車架 Frame Body | BLACK | 1 |
| 2 | 50400-7A1-000-SI | 後扶手 Rear Carrier | AL SILVER | 1 |
| 3 | 50200-3AR-SIE | 防護桿 Bumper | AL, SILVER | 1 |
| 4 | 90350U-12017 | 法蘭U型止鬆螺帽 Nut, Flange Insert Lock | M12xP1.25 | 1 |
| 5 | 50710-3AR-BKB | 美式土除架 Bracket, Fender | BLACK | 1 |
| 6 | 50110-3AR-000 | 引擎套座 Mounting Plate, Engine | | 2 |
| 7 | 50150-1317103 | 引擎間隔管-長 Spacer, Crankcase | 12.5x17x103 | 1 |
| 8 | 50150-1322020 | 引擎間隔管-短 Spacer, Crankcase | 12.5x22x20 | 1 |
| 9 | 96140-6002ZZ-A | 軸承 Bearing, Ball | 6002ZZ-A | 1 |
| 10 | 94520-32000 | C型扣環 Clip, Cir. | RTW-32 | 1 |
| 11 | 50524-3AR-000 | 緩衝墊 Rubber Absorber, Seat | 13x37x23 | 2 |
| 12 | 95701-12222 | 六角緣面螺栓 Bolt, Hex. Flange | M12x222 | 1 |
| 13 | 95801-08038-07 | 六角緣面螺栓 Bolt, Hex. Flange | M8x38 | 1 |
| 14 | 95701-08012-07 | 六角緣面螺栓 Bolt, Hex. Flange | M8x12 | 4 |
| 15 | 19140-3AR-10E | 車拉銘牌 VIN Plate | 100cc | 1 |
| 16 | 96202-0312 | 鋁拉釘 Nail | | 2 |

F1, Frame Body



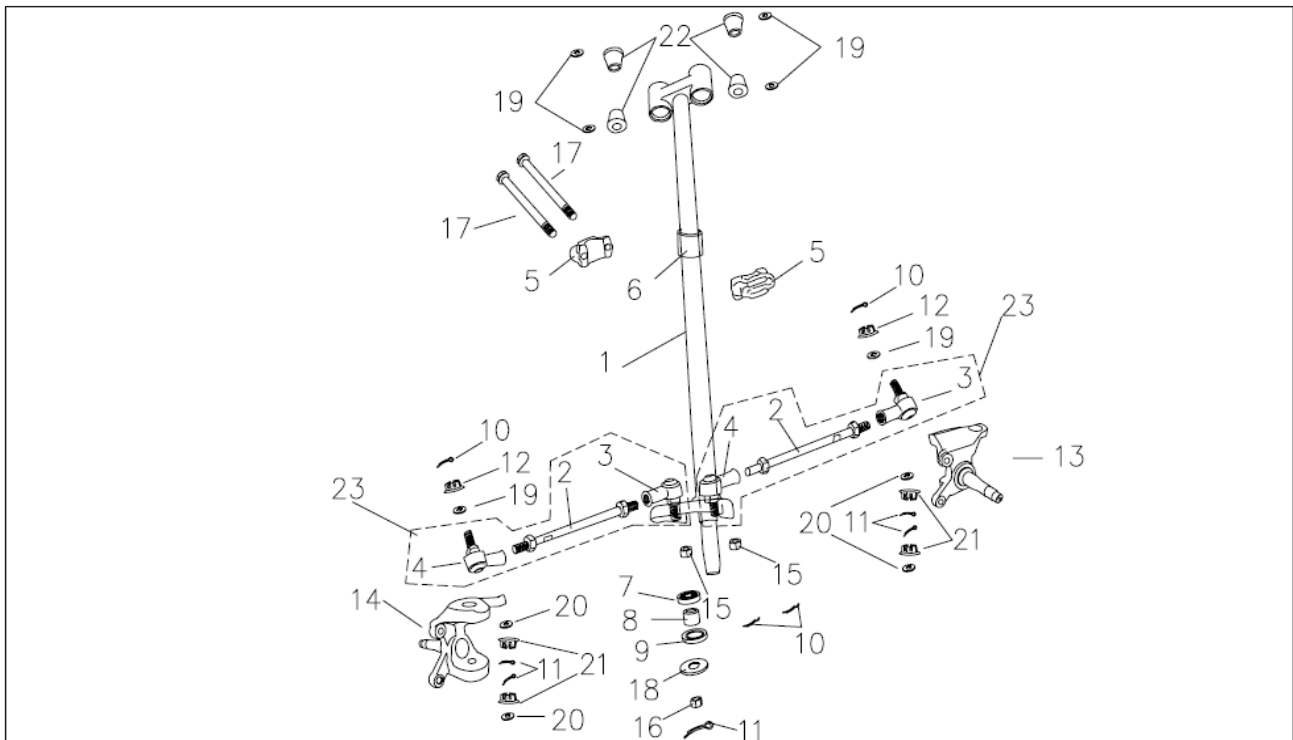
| Item | Part No. | Part Name | Spec. | Q'ty | |
|------|------------------|---------------|-------------------------------|----------------|---|
| 17 | 50500-7A1-000 | 尾翼托架 | Bracket, Grab Bar | AL SILVER | 2 |
| 18 | 50501-7A1-000 | 緩衝泡棉 | Rubber, Damper | 100x15x7t | 2 |
| 19 | 95801-08020-12B | 六角緣面螺栓 | Bolt ,Hex. Flange | M8x20 | 3 |
| (20) | 64355-7A1-000-WH | 車牌板 | Washer, Plate (OPTION) | 白色 | 1 |
| 21 | 95801-08066-97 | 六角緣面螺栓 | Bolt ,Hex. Flange | M8*P1.25-66L | 1 |
| 22 | 40531-3224-08 | 滾子總成(中)-2010版 | Roller | Ø32xL24xØ8 | 1 |
| 23 | 94101-08518-23B | 平面墊圈 | Washer, Plate | 8.5*18*2.3 | 2 |
| (24) | 50120-3AR-000 | 引擎下固定座 | Bottom Mount, Engine (OPTION) | | 1 |
| (25) | 90350U-10014 | 法蘭U型止鬆螺帽 | Washer, Plate (OPTION) | M10*P1.25 | 2 |
| (26) | 95811-10080-0G | 六角緣面螺栓 | Bolt ,Hex. Flange (OPTION) | M10*P1.25-80L | 1 |
| (27) | 95801-10120-0G | 六角緣面螺栓 | Bolt ,Hex. Flange (OPTION) | M10*P1.25-120L | 1 |
| (28) | 50105-7A1-000 | 車架下護蓋 | Skid Plate, Frame (OPTION) | | 1 |
| (29) | 94101-0616-10B | 平面墊圈 | Washer, Plate (OPTION) | 6.3*16*1.0 | 6 |
| (30) | 91001-06016-04B | 半圓頭內六角螺栓 | Hex,Socket Bolt (OPTION) | M6*P1.0-16L | 6 |

F2, Steering



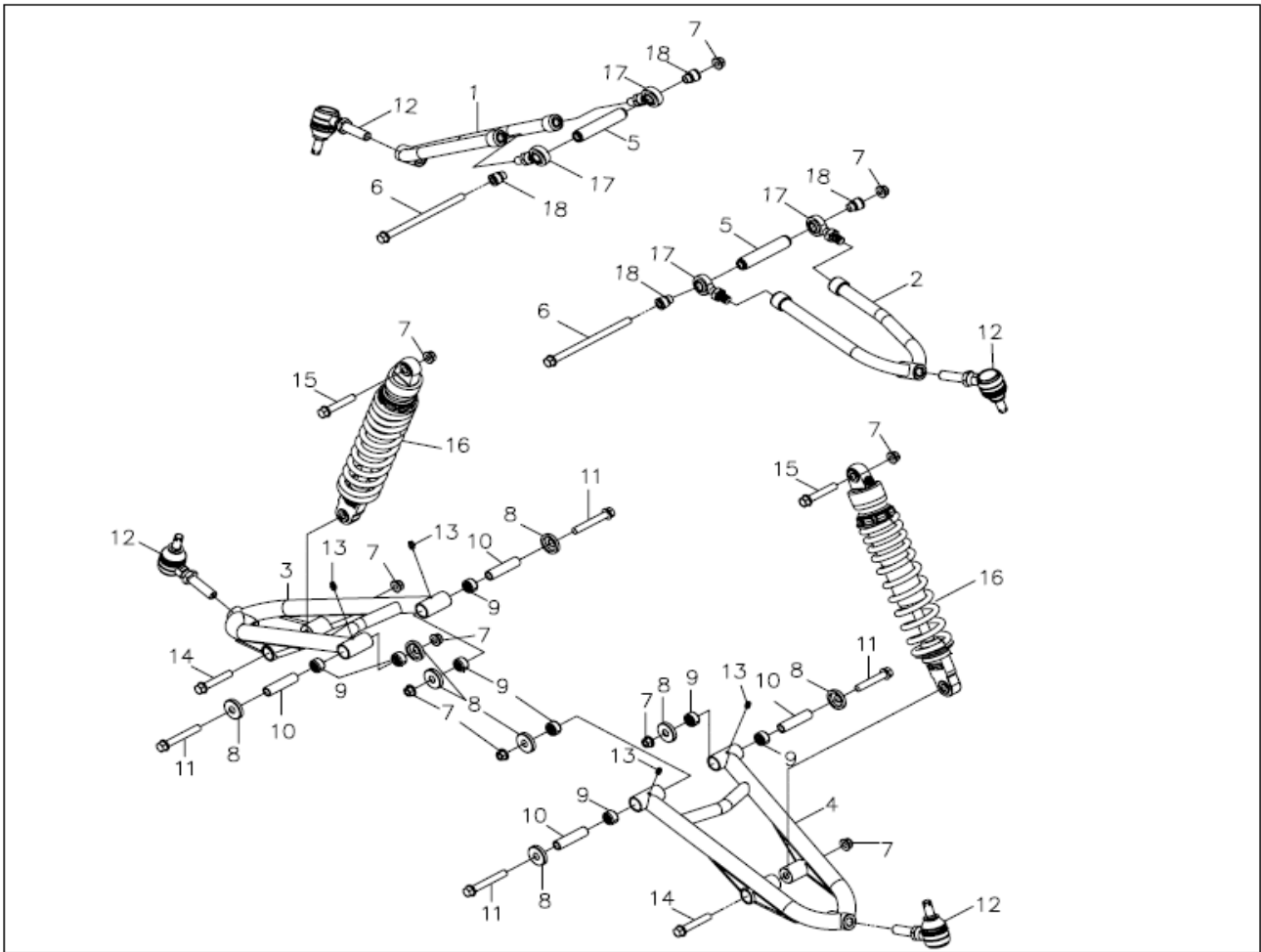
| Item | Part No. | Part Name | Spec. | Q'ty |
|------|-----------------|-------------------------------------|------------|------|
| 1 | 53200-3AR-BKB | 方向柱組 Steering Shaft | BLACK | 1 |
| 2 | 54120-7A1-000 | 轉向節螺栓 Tie Rod | AL 290mm | 2 |
| 3 | 54121-3AR-000 | 萬向頭(右牙) R.H. Joint, Universal | | 2 |
| 4 | 54122-3AR-000 | 萬向頭(左牙) L.H. Joint, Universal | | 2 |
| 5 | 53330-3AR-000 | 軸座套 Holder, Steering Shaft | | 2 |
| 6 | 53210-3AR-000 | PU襯套 PU Seal, Steering | | 1 |
| 7 | 91258-183207 | 油封 Seal, Oil | 18x32x7 | 1 |
| 8 | 50150-1522015 | 內襯套 Spacer, Inner | 15x22x15 | 1 |
| 9 | 91258-223507 | 油封 Seal, Oil | 22x35x7 | 1 |
| 10 | 94201-25275 | 開口銷 Cotter Pin | 2.5x27.5 | 4 |
| 11 | 94201-32320 | 開口銷 Cotter Pin | 3.2x32.0 | 5 |
| 12 | 90351-10080-18 | 堡型螺帽 Nut, Castle | M10xP1.25 | 2 |
| 13 | 54150-3AR-00B | 轉向軸R鋁合金 R. Knuckle | Disc Brake | 1 |
| 14 | 54250-3AR-00B | 轉向軸L鋁合金 L. Knuckle | Disc Brake | 1 |
| 15 | 90350U-10014 | 法蘭U型止鬆螺帽 Nut, Flange Insert Lock | M10xP1.25 | 2 |
| 16 | 90350U-14000 | 法蘭U型止鬆螺帽 Nut, Flange Insert Lock | M14xP1.5 | 1 |
| 17 | 95801-08066-97 | 六角緣面螺栓 Bolt ,Hex. Flange | M8x66 | 2 |
| 18 | 94101-1440020K | 平面墊圈 Washer, Plate | 14x40x2.0 | 1 |
| 19 | 94101-102210-10 | 平面墊圈 Washer, Plate | 10*22*1.0 | 2 |
| 20 | 94101-1225020 | 平面墊圈 Washer, Plate | M12*25*2 | 4 |
| 21 | 90351-12000K | 堡型螺帽 Nut, Castle | M12*1.25 | 4 |

F2, Steering



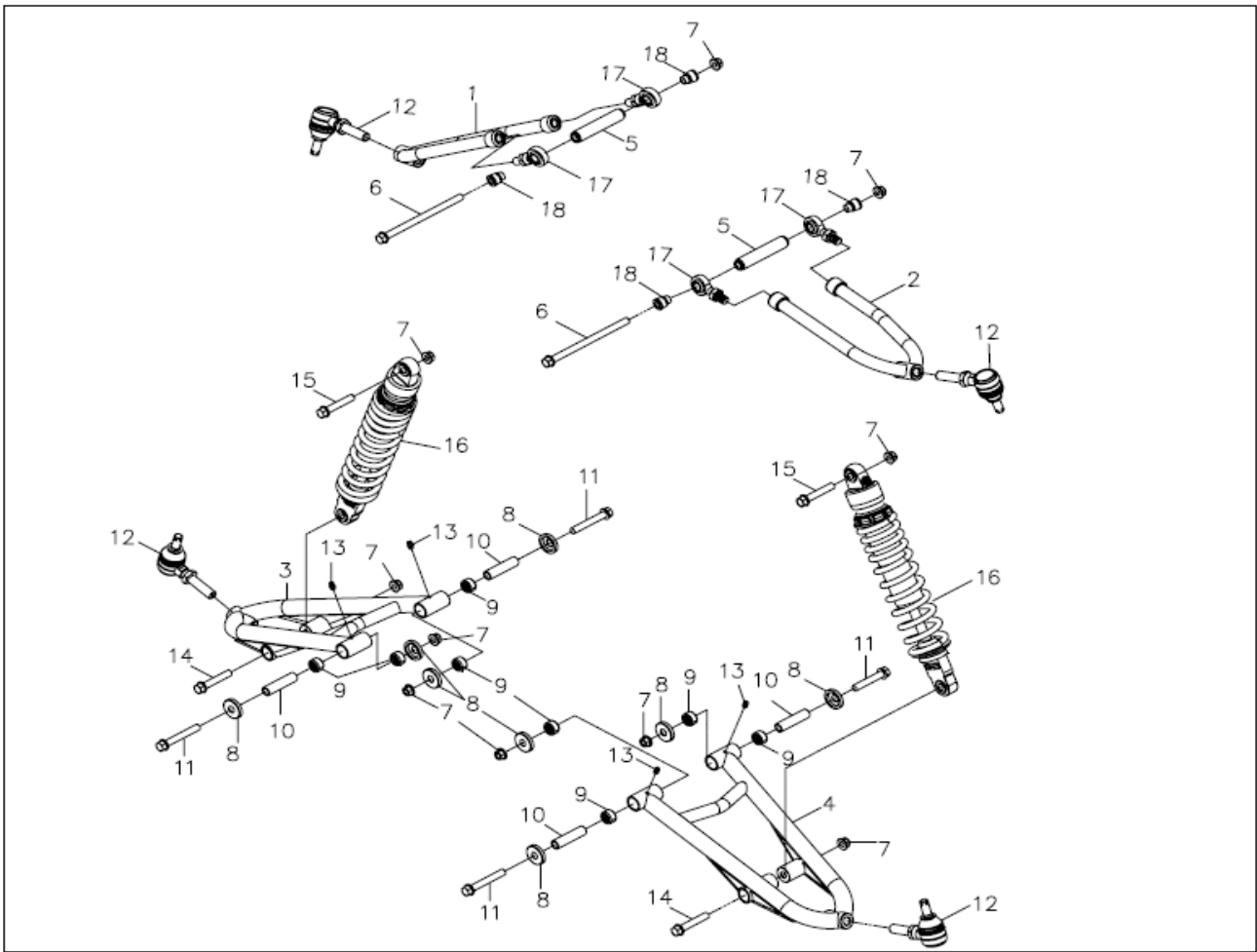
| Item | Part No. | Part Name | Spec. | Q'ty |
|------|----------------|--------------------------|-------|------|
| 22 | 53333-AMCO-000 | 減震橡膠 Rubber Absorber | | 4 |
| 23 | 54110-7A1-29A | 轉向節螺栓總成 Tie Rod Ass'y | | 2 |

F3, Suspension Arm



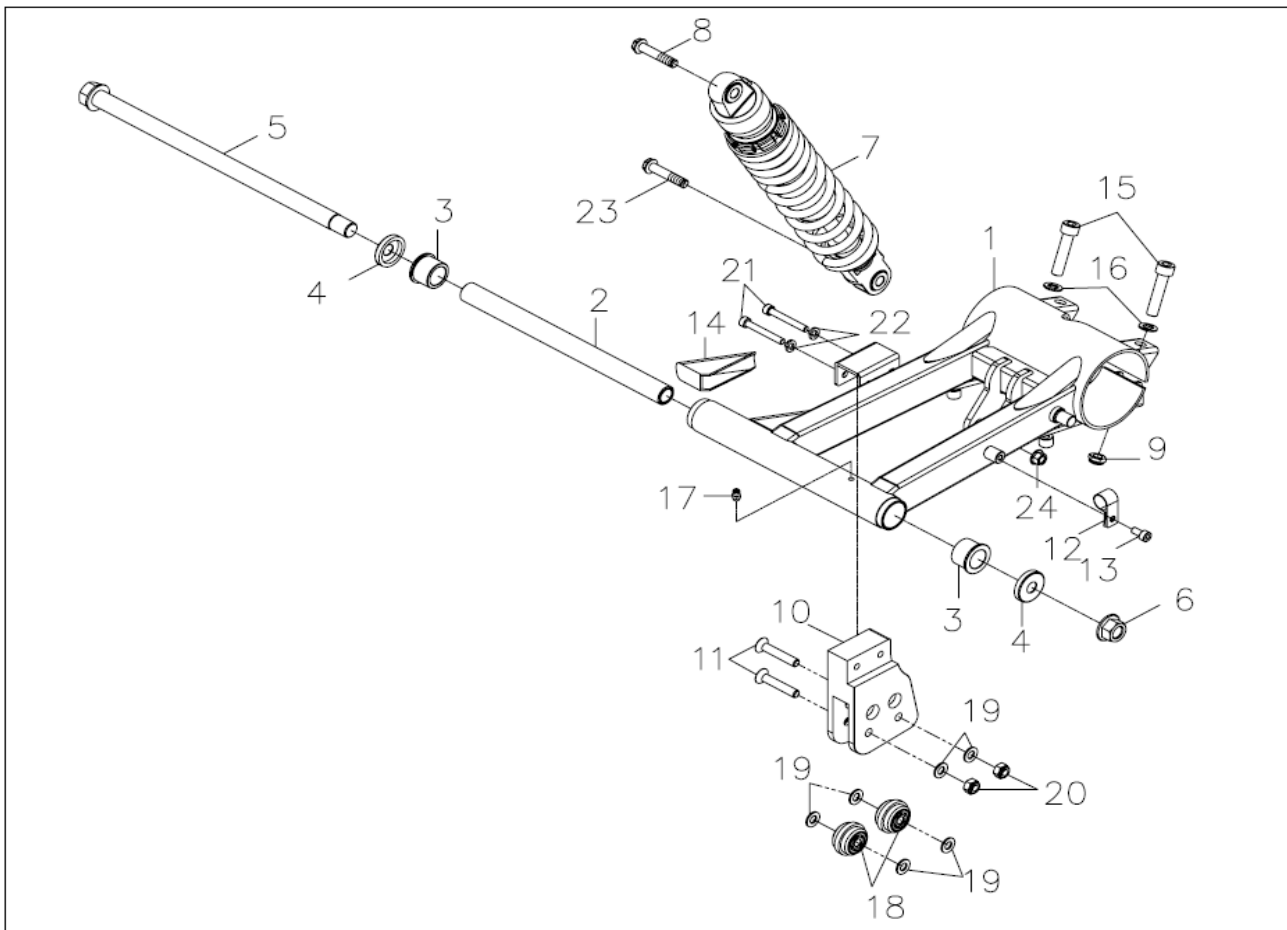
| Item | Part No. | Part Name | Spec. | Q'ty |
|-------------|----------------------|--|------------------------------|----------|
| 1 | 54300-7A1-001-BK | 上右A臂-2011版 Upper R. Arm, Suspension | BLACK | 1 |
| 2 | 54400-7A1-001-BK | 上左A臂-2011版 Upper L. Arrn, Suspension | BLACK | 1 |
| 3 | 54500-7A1-00A-BK | 下右A臂-2010版 Bottom R. Arm, Suspension | BLACK | 1 |
| 4 | 54600-7A1-00A-BK | 下左A臂-2010版 Bottom L. Arrn, Suspension | BLACK | 1 |
| 5 | 54330-10019-96AL | 上A臂間隔管 Spacer A, Suspension Arm | 10.2×19×96 | 2 |
| 6 | 95801-10162-14G | 六角緣面螺栓 Bolt ,Hex. Flange | M10×162L | 2 |
| 7 | 90350U-10014 | 法蘭U型止鬆螺帽 Nut, Flange Insert Lock | M10×P1.25 | 10 |
| 8 | 52310-OS-3495 | 凸緣蓋 Seal, Dustproof | | 8 |
| 9 | 96160-HK1512 | 滾針軸承-201011版 Bearing, Needle | HK-1512-21 | 8 |
| 10 | 54340-7A1-00A | 下A臂間隔管-2010版 Spacer B, Suspension Arm | 10.2×15×53.5 | 4 |
| 11 | 95911-10075-OG | 六角緣面螺栓 Bolt ,Hex. Flange | M10×75 | 4 |
| 12 | 54360-3AR-000 | 萬向頭 Joint, Ball | | 4 |
| 13 | 96201-10000-18 | 黃油嘴 Nipple | | 4 |
| 14 | 91000-10065 | 六角承窩鏢栓 Bolt ,Hex. Flange | M10×65 | 2 |
| 15 | 95801-10042-97K | 六角緣面螺栓 Bolt, Hex. Flange | M10×42 | 2 |
| 16 | 51400-7A1-00C | 前避震器 Shock Absorber, Front | 370mm, 250 lb | 2 |
| (16) | 51400-7A1-00B | 前避震器 Shock Absorber, Front (OPTION) | 370mm, W extra tank (option) | 2 |

F3, Suspension Arm



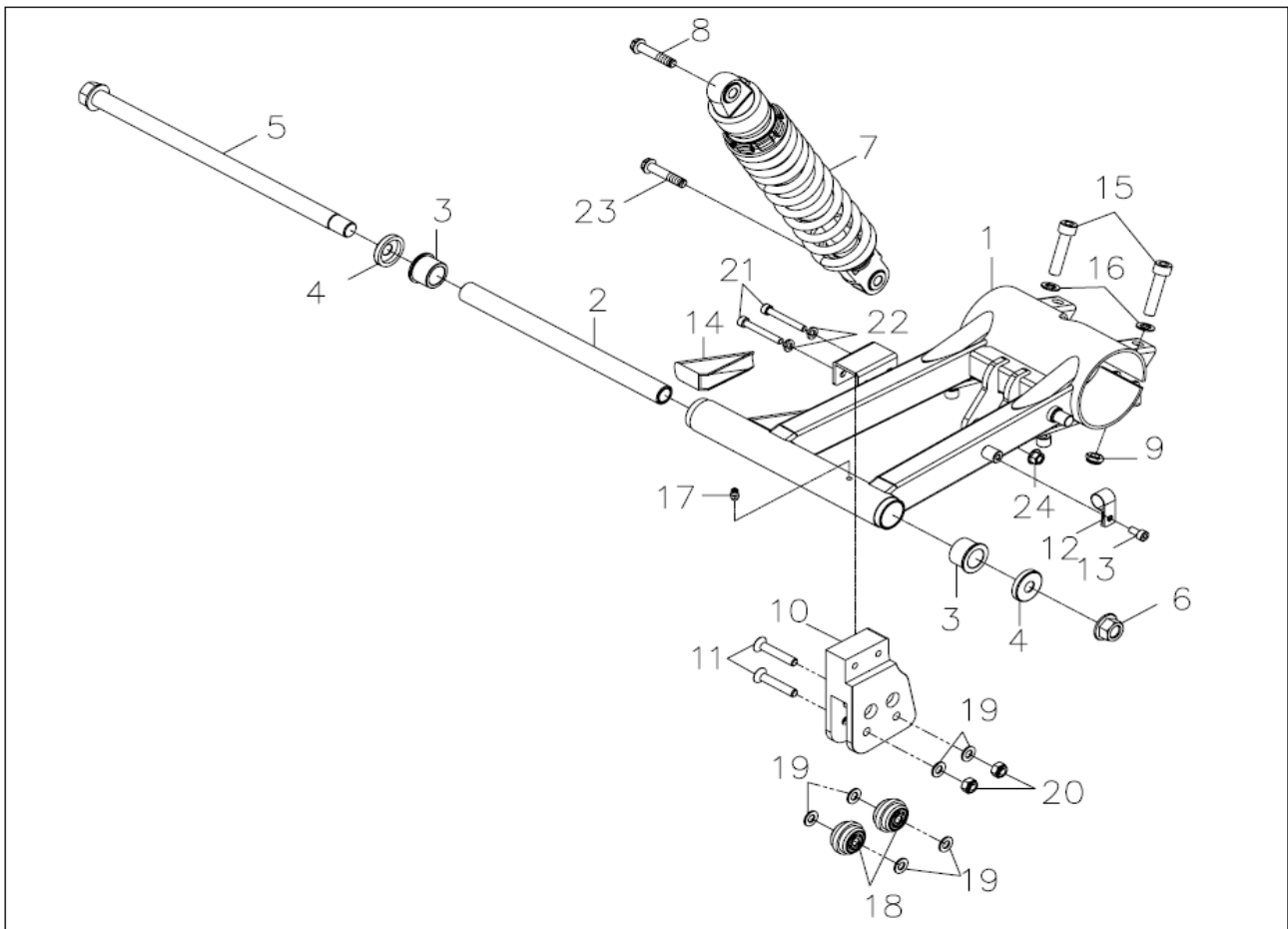
| Item | Part No. | Part Name | Spec. | Q'ty |
|------|---------------|--------------------------------------|------------|------|
| 17 | 54365-8B2-A00 | 魚眼萬向頭組-201011版 Bearing, Spherical | 1/2"-20UNF | 4 |
| 18 | 54335-7MA-000 | 魚眼間隔管 Spacer C, Suspension Arm | | 4 |

F4, Swing Arm



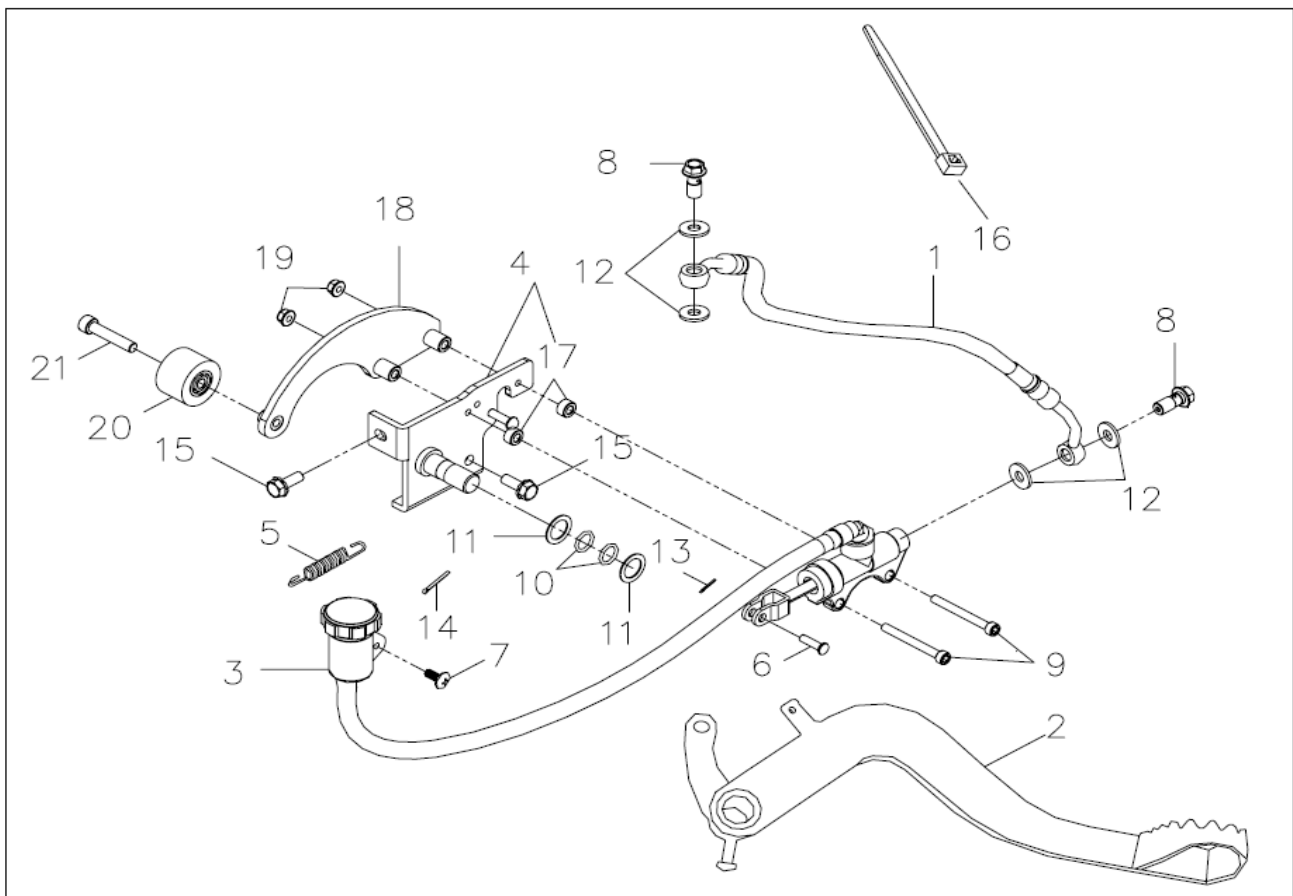
| Item | Part No. | Part Name | | Spec. | Q'ty |
|------------|----------------------|----------------|--------------------------------------|-------------------------------------|----------|
| 1 | 52200-7A1-002-BK | 后叉-2010版 | Arm, Swing | BLACK | 1 |
| 2 | 52210-3AR-000 | 后叉軸套 | Spacer, Swing Arm | 14.1x20x253 | 1 |
| 3 | 52220-3AR-000 | 后叉壓套 | Bush, Swing Arm | 20.1x27.6x20 | 2 |
| 4 | 52310-OS-8234 | 防塵蓋(IOS 8234) | Seal, Dustproof | 14x38.5x30.8 | 2 |
| 5 | 95802-14290 | 六角緣面螺栓 | Bolt ,Hex. Flange | M14x290 | 1 |
| 6 | 90350U-14000 | 法蘭U型止鬆螺帽 | Nut, Flange Insert Lock | M14xP1.5 | 1 |
| 7 | 52400-7A1-00C | 後避震器 | Shock Absorber, Rear | 370mm, 300 lb | 1 |
| (7) | 52400-7A1-00E | 後避震器 | Shock Absorber, Rear (OPTION) | 370mm, W extra tank (option) | 1 |
| 8 | 95801-10035-9GL | 六角緣面螺栓 | Bolt, Hex. Flange | M10x35 | 1 |
| 9 | 90350U-10014-10 | 法蘭U型止鬆螺帽(白鋅) | Nut, Flange Insert Lock | M10xP1.25 | 2 |
| 10 | 40520-7A1-001 | 導鏈座-2011版 | Guide, Chain | | 1 |
| 11 | 91733-08050-06B | 平頭六角承窩螺栓-2010版 | Bolt, Hex. Socket | M8xP1.25x50L | 2 |
| 12 | 47211-7A1-000 | 軟管固定夾 | Clamp, Hose | | 1 |
| 13 | 91000-06010-07 | 內六角承窩螺絲 | Bolt, Hex. Socket | M6x10L | 1 |
| 14 | 52320-3AR-000 | 橡膠套(改良型) | Rubber Sleeve | 31.7x38x65 | 1 |
| 15 | 91000-10080-08B | 內六角承窩螺絲 | Bolt, Hex. Socket | M10x1.25x80L | 2 |
| 16 | 94101-10022-20B | 平面墊圈 | Washer, Plate | 10x22x2.0 | 2 |
| 17 | 96201-10000-18 | 黃油嘴 | Nipple | | 1 |

F4, Swing Arm



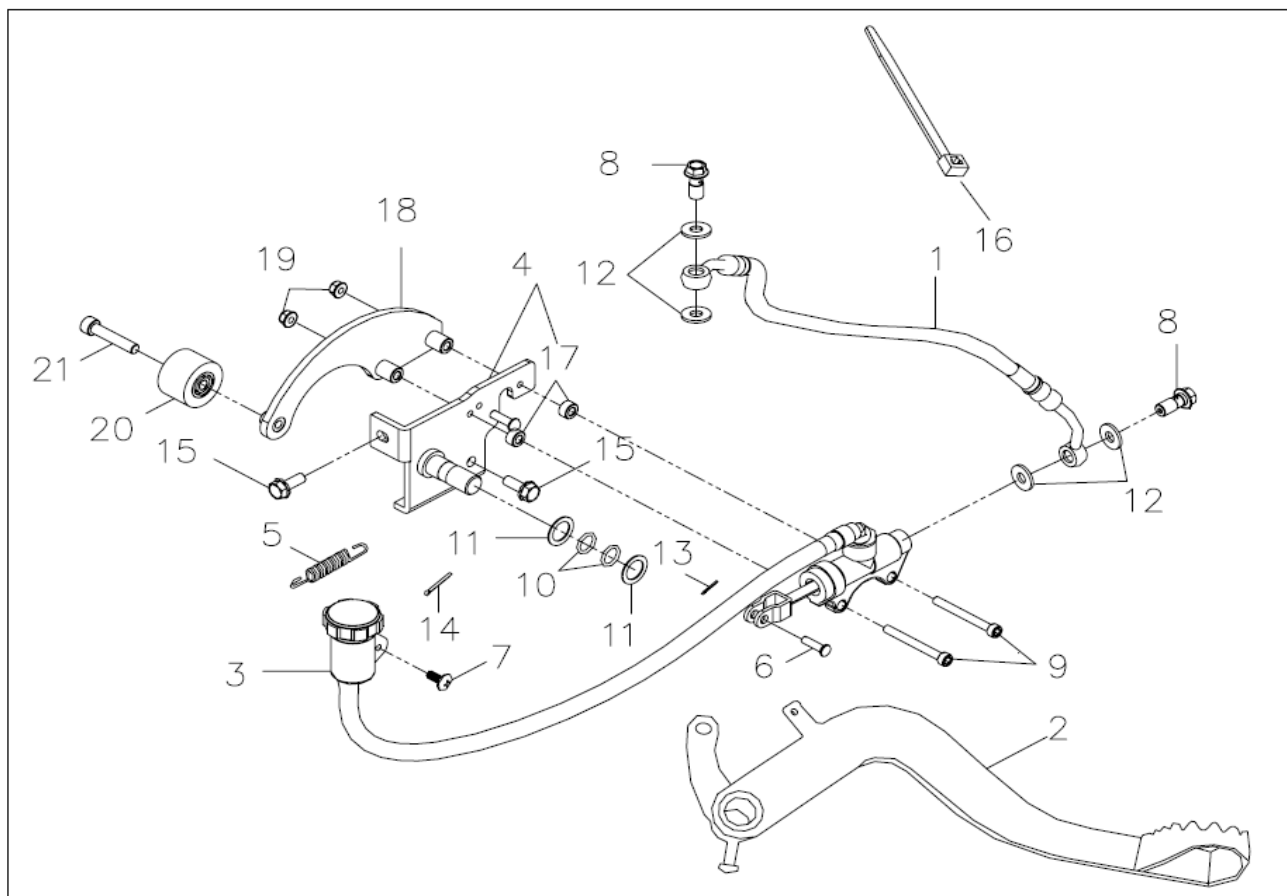
| Item | Part No. | Part Name | Spec. | Q'ty |
|------|-----------------|---|---------------|------|
| 18 | 40531-3420-08 | 滾子總成(小)-2010版 Roller Ass'y, Chain | Ø34xL20xØ8 | 2 |
| 19 | 94101-08016-15B | 平面墊圈-2010版 Washer, Plate | 8.5x16x1.5 | 6 |
| 20 | NN-08013-B | 六角耐落螺帽-2010版 Nut, Hex Lock | M8x1.25P | 2 |
| 21 | 91000-06045-05B | 內六角承窩螺栓-2010版 Bolt, Hex. Socket | M6xP1.0x45L | 1 |
| 22 | SW-06515B | 彈簧墊圈-2010版 Spring Washer | 6.5x1.5 | 2 |
| 23 | 96000-10048 | 六角緣面螺栓(墨綠) Bolt, Hex. Flange | M10xP1.25x48L | 1 |
| 24 | 90350U-10014 | 法蘭U型止鬆螺帽(墨綠) Nut, Flange Insert Lock | M10xP1.25 | 1 |

F5, Pedal, Rear Disc Brake



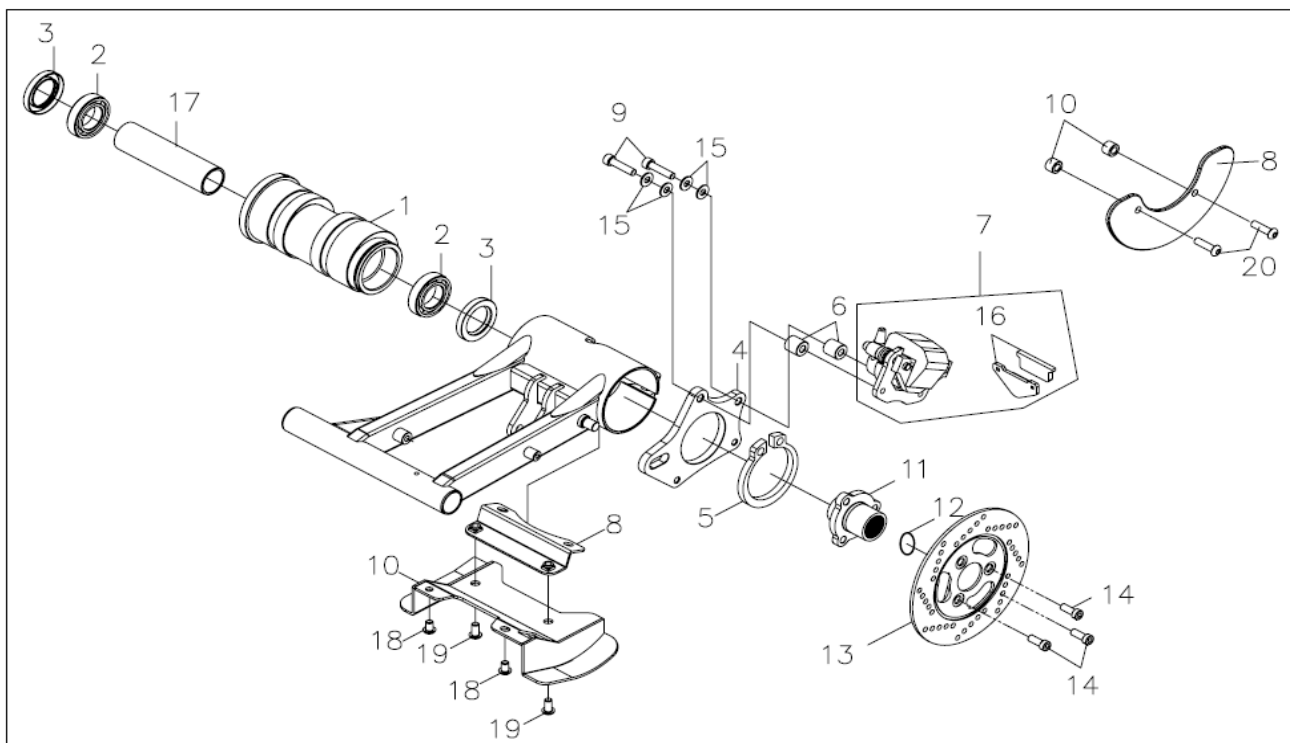
| Item | Part No. | Part Name | Spec. | Q'ty | |
|------|------------------|----------------|-----------------------------------|-----------------|---|
| 1 | 45127-7MA-000 | 腳剎車油管 | Hose, Foot Brake | 760 , Stainless | 1 |
| 2 | 45530-3AR-BKA | 腳剎車踏板 | Pedal, Brake | BLACK | 1 |
| 3 | 45520-3AR-00A | 後剎車總泵 | Master Cylinder Ass'y, Foot Brake | Pedal Brake | 1 |
| 4 | 45540-3AR-BKA | 連動器主板 | Bracket, Foot Brake | BLACK | 1 |
| 5 | 45542-3AR-000 | 腳剎車回位彈簧 | Spring, Foot Brake | 1.3*9*70 | 1 |
| 6 | 74001-07020-00 | 煞車推桿銷 | Pin, Foot brake Master Cylinder | 7x20 | 1 |
| 7 | 90005-06012-17 | 十字大平頭螺栓 | Bolt, Flate | M6*12 | 1 |
| 8 | 90145-MS9-6110-M | 剎車油管螺栓 | Bolt, Brake Hose | M10x22 | 2 |
| 9 | 91000-06055-05B | 六角承窩螺栓 | Bolt, Hex. Socket | M6x55 | 2 |
| 10 | 91300-016020 | 油環 | Ring, Oil | 16x20x2 | 2 |
| 11 | 94101-162410-K8 | 平面墊圈 | Washer, Plate | 16x24x1 | 2 |
| 12 | 94104-10140-CU | 銅墊圈 | Washes, Copper | 10.2x14x1.0 | 4 |
| 13 | 94201-01827 | 開口銷 | Cotter Pin | 1.8x2.7 | 1 |
| 14 | 94201-32320 | 開口銷 | Cotter Pin | 3.2x32.0 | 1 |
| 15 | 95701-08012-07 | 六角緣面螺栓 | Bolt ,Hex. Flange | M8x12 | 2 |
| 16 | 89020-3AR-200 | 束帶200M黑 | Strap | ALT-200MM | 2 |
| 17 | 50150-0715-06C | 連動器間隔管 | Bracket, Foot Brake spacer | 7x15x6 | 2 |
| 18 | 40500-7A1-00A | 調整器承座-2010版 | Stay, Chain Roller | | 1 |
| 19 | 90350-06U-10B | 法蘭U型止鬆螺帽-2010版 | Nut, Flange Insert Lock | M6xP1.0 | 2 |

F5, Pedal, Rear Disc Brake



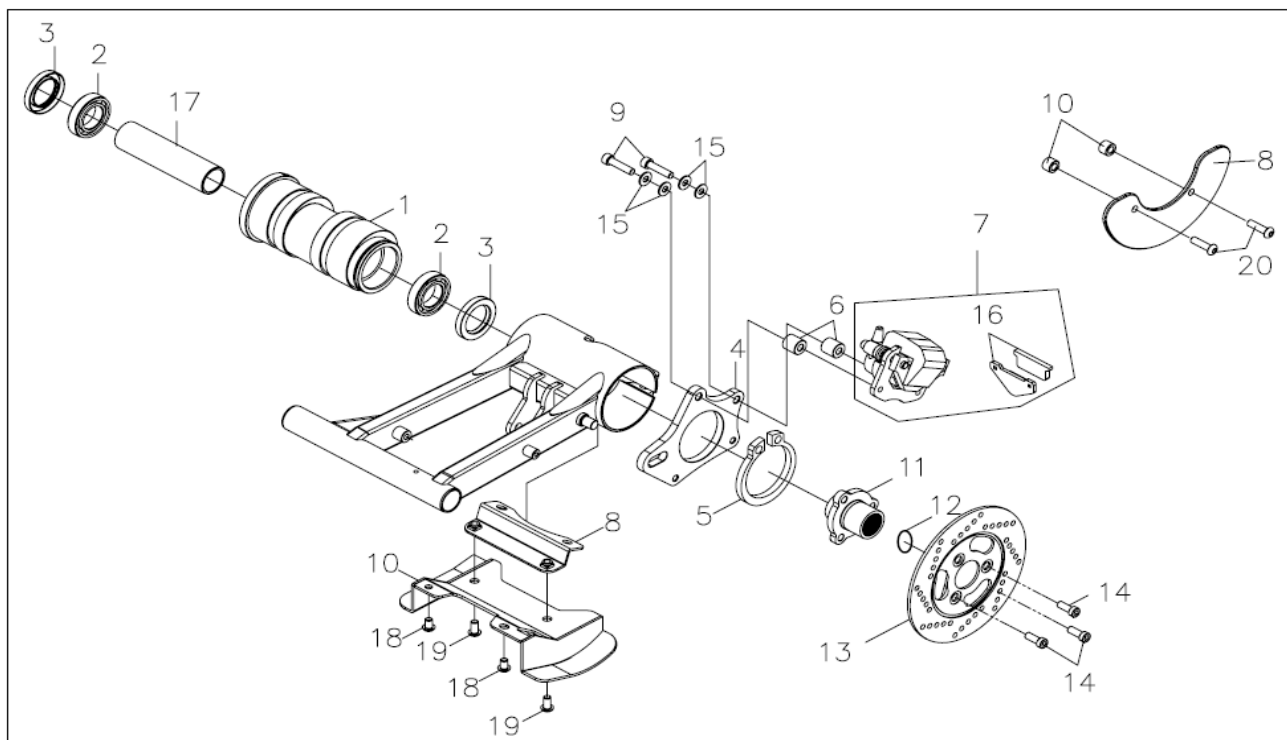
| Item | Part No. | Part Name | Spec. | Q'ty |
|------|------------------|---------------------------------------|--------------|------|
| 20 | 40531-4129-08 | 滾子總成(大)-2010版 Roller, Chain | Ø38xL25xØ8 | 1 |
| 21 | 91000-08040-06BN | 內六角承窩螺栓-耐落-2010版 Bolt, Hex. Socket | M8xP1.25x40L | 1 |

F6, Bearing Housing, R. Disc Brake



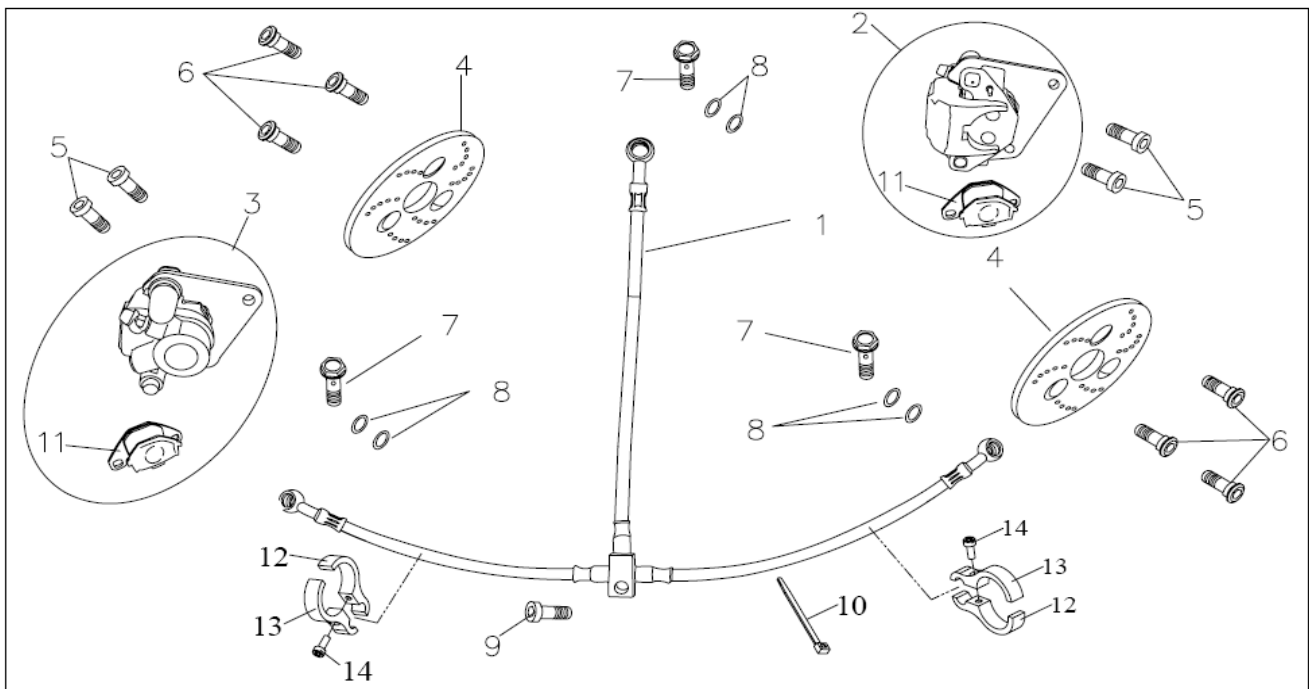
| Item | Part No. | Part Name | Spec. | Q'ty |
|-------------|------------------------|-----------------|--|----------|
| 1 | 42636-7A1-000 | 後輪軸固定座 | Housing, Rear Axle Bearing | 1 |
| 2 | 96140-6006ZZ | 滾珠軸承 | Bearing, Ball | 2 |
| 3 | 91258-355508 | 油封 | Seal, Oil | 2 |
| 4 | 45290-7A1-00A | 卡鉗座-2010版 | Bracket, Caliper | 1 |
| 5 | 94510-STW-68 | C型扣環 | Clip, Cir. | 1 |
| 6 | 50150-0819-16B | 間隔管(後剎車卡鉗) | spacer, Caliper Ass'y | 2 |
| 7 | 45250-7A1-A00-RE | 後剎車卡鉗總成 | Caliper Ass'y, Rear Brake | 1 |
| 8 | 45122-7A1-00A-01 | 碟盤護蓋本體 | Protector, Brake Disc | 1 |
| (8) | 52206-7A1-000 | 下護蓋承座 | Stay, Swing Arm Skid Plate (OPTION) | 1 |
| 9 | 91000-08035-06G | 六角承窩螺絲(耐落) | Bolt, Hex. Socket | 2 |
| 10 | 50150-0816-12B | 間隔管-總泵 | Spacer R, Master Cylinder | 2 |
| (10) | 52205-7A1-000 | 後又下護蓋 | Skid Plate, Swing Arm (OPTION) | 1 |
| 11 | 42625-3AR-000 | 後剎車碟固定座 | Bracket, Rear Brake Disc | 1 |
| 12 | 42340-3AR-000 | 後輪軸定位環 | Ring, Axle | 1 |
| 13 | 45121-3AR-000 | 後剎車碟片 | Disc, Rear Brake | 1 |
| 14 | 91000-10014-97K | 六角承窩螺絲 | Bolt, Hex. Socket | 3 |
| 15 | 90426-081816 | 平面墊圈 | Washer, Plate | 4 |
| 16 | 47235-3AR-000 | 剎車片組 | Pad Kit, Rear Disc Brake | 1 |
| 17 | 50150-3136-136B | 中間軸套 | Spacer | 1 |
| (18) | 91001-08012-05B | 半圓頭內六角螺絲 | Hex,Socket Bolt (OPTION) | 2 |

F6, Bearing Housing, R. Disc Brake



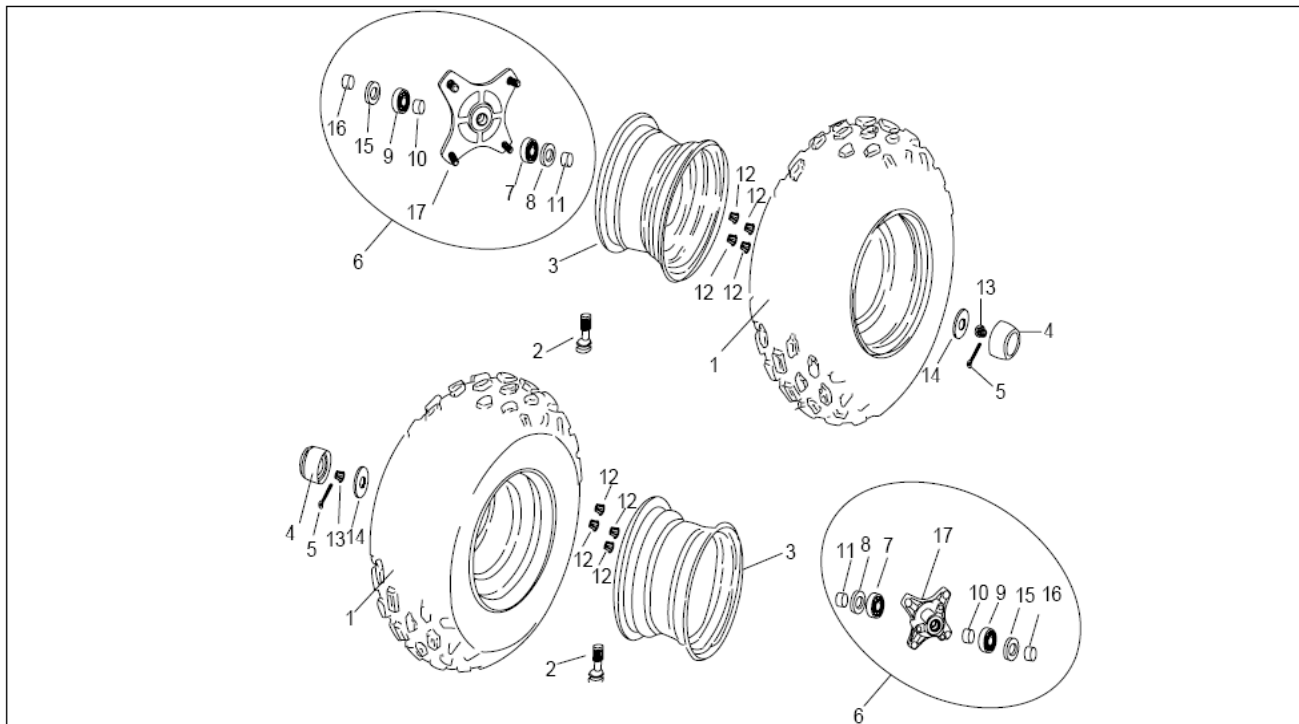
| Item | Part No. | Part Name | Spec. | Q'ty |
|------|-----------------|--------------------------------------|--------------|------|
| (19) | 91001-08016-05B | 半圓頭內六角螺栓 Hex,Socket Bolt (OPTION) | M8*P1.25-16L | 2 |
| 20 | 91001-08030-05B | 六角承窩鏢栓(耐落) Bolt, Hex. Socket | M8xP1.25-30L | 2 |

F7, Drum Brake, Front



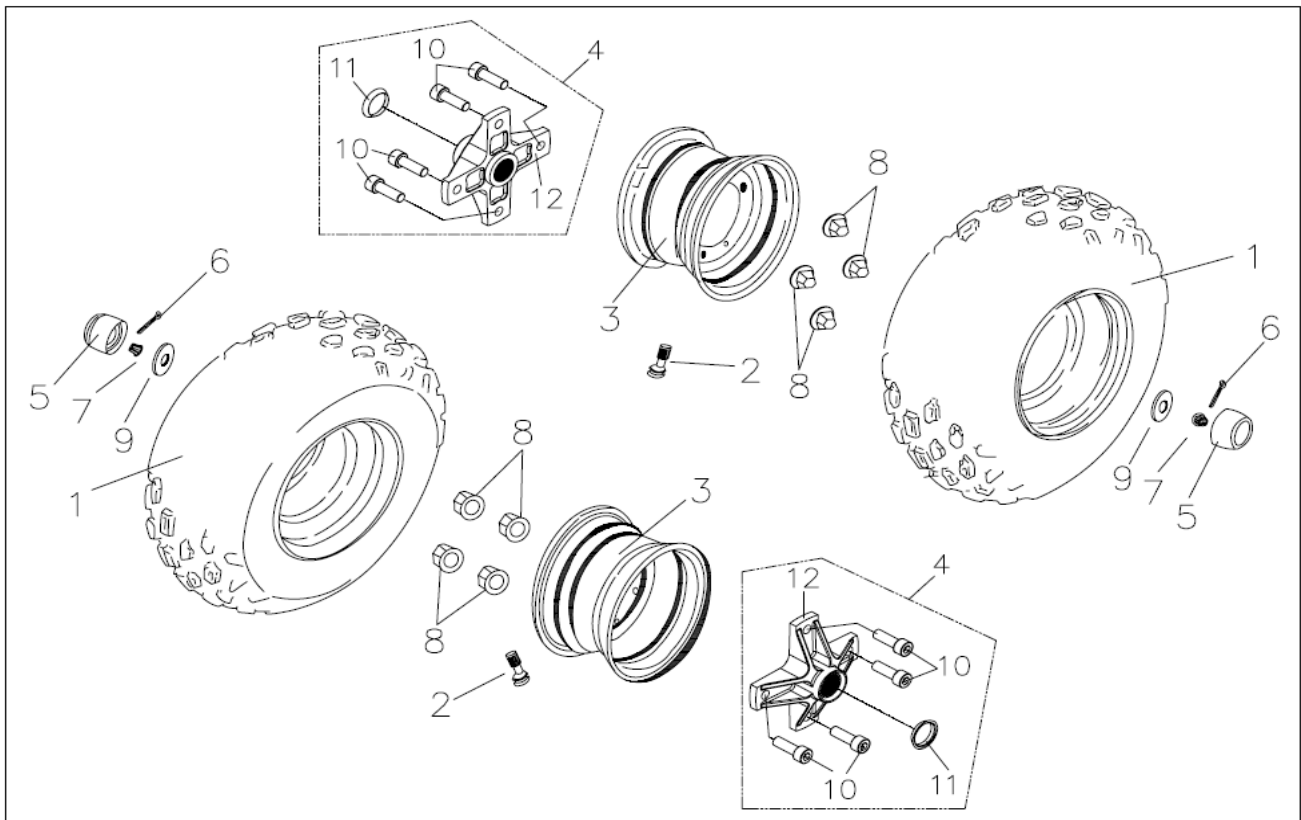
| Item | Part No. | Part Name | Spec. | Q'ty | |
|------|------------------|-----------|--------------------------|-------------------|---|
| 1 | 47220-7A1-000 | 前煞車油管 | Hose, Front Brake | D-Arm, Disc Brake | 1 |
| 2 | 47230-3AR-A0A | 前右卡鉗 | Caliper Ass'y, Front R. | | 1 |
| 3 | 47240-3AR-A0A | 前左卡鉗 | Caliper Ass'y, Front L. | | 1 |
| 4 | 47210-3AR-000 | 煞車碟盤 | Disc, Front Brake | 170*58 | 2 |
| 5 | 91000-08020-2G | 六角承窩螺栓 | Bolt, Hex. Socket | M8*20 | 4 |
| 6 | 90105-08018-97L | 碟盤螺栓 | Bolt, Brake Disc | M8*18 | 6 |
| 7 | 90145-MS9-6110-M | 剎車油管螺栓 | Bolt, Brake Hose | M10x22 | 3 |
| 8 | 94104-10140-CU | 銅墊圈 | Washer, Copper | 10.2x14x1.0 | 6 |
| 9 | 91000-08025-2G | 六角承窩螺栓 | Bolt, Hex. Socket | M8*25 | 1 |
| 10 | 89020-3AR-200 | 束帶200M黑 | Strap | ALT-200MM | 3 |
| 11 | 47235-3AR-000 | 前剎車片組 | Pad Kit, Rear Disc Front | | 2 |
| 12 | TMG-910-090i-2 | 管束-2 | Clamp-2,Cable | 有螺紋 | 2 |
| 13 | TMG-910-090i-1 | 管束-1 | Clamp-1,Cable | | 2 |
| 14 | 91000-04010-03B | 六角承窩螺栓 | Bolt, Hex. Socket | M4*P10L | 2 |

F8, Wheel & Tires, Front



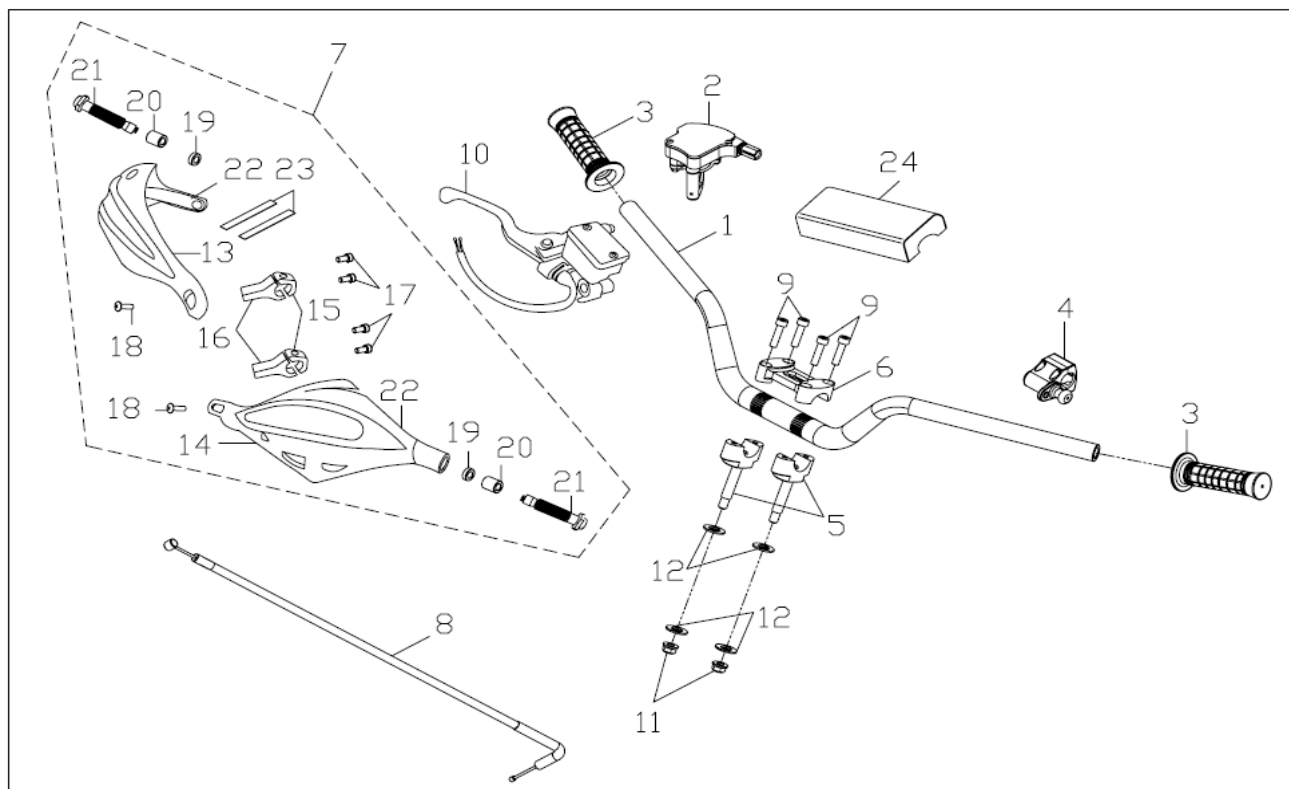
| Item | Part No. | Part Name | Spec. | Q'ty |
|------|-------------------------|-------------------------------------|--------------------|------|
| 1 | 44710-196010-M957 | 輪胎前輪 Tyre, Front (Maxxis) | M957 (19x6.0-10) | 2 |
| 2 | 44711-TR-412 | 風嘴 Valve, Tyre | TR-412 | 2 |
| 3 | 44700-SL-1050-3020-4145 | 前鋁圈 AL Wheel, std. lip | 10x5.0, 4/145, 3+2 | 2 |
| 4 | 44720-PK-6142 | 護套 Center Cap, Wheel | | 2 |
| 5 | 94201-32320 | 開口銷 Cotter Pin | 3.2x32.0 | 2 |
| 6 | 47121-7A1-000 | 前碟煞固定座總成 Hub Ass'., Front Wheel | | 2 |
| 7 | 96140-6004 | 滾珠軸承 Bearing, Ball | 6004 | 2 |
| 8 | 91258-284207 | 油封 Seal, Oil | 28*42*7 | 2 |
| 9 | 96140-6202 | 滾珠軸承 Bearing, Ball | 6202 | 2 |
| 10 | 50150-2116030 | 內襯套 Spacer, Inner | 21*16*30 | 2 |
| 11 | 50150-1520010 | 外套軸 Spacer, Outer | 15*20*10 | 2 |
| 12 | 90350U-10014-10 | 法蘭U型止鬆螺帽 Nut, Flange Insert Lock | M10xP1.25 | 8 |
| 13 | 90351-14000K | 開槽止鬆螺帽 Nut | M14xP1.50 | 2 |
| 14 | 94101-1440050 | 平面墊圈 Washer, Plate | 14.3x40x5.0 | 2 |
| 15 | 91258-203507 | 油封 Seal, Oil | 20*35*7 | 2 |
| 16 | 50150-2128007 | 外套軸 Sapcer | 21*28*7 | 2 |
| 17 | 47121-3AR-000 | 前碟煞固定座 Hub. Front Wheel | 145mm | 2 |

F9, Wheel & Tire, Rear



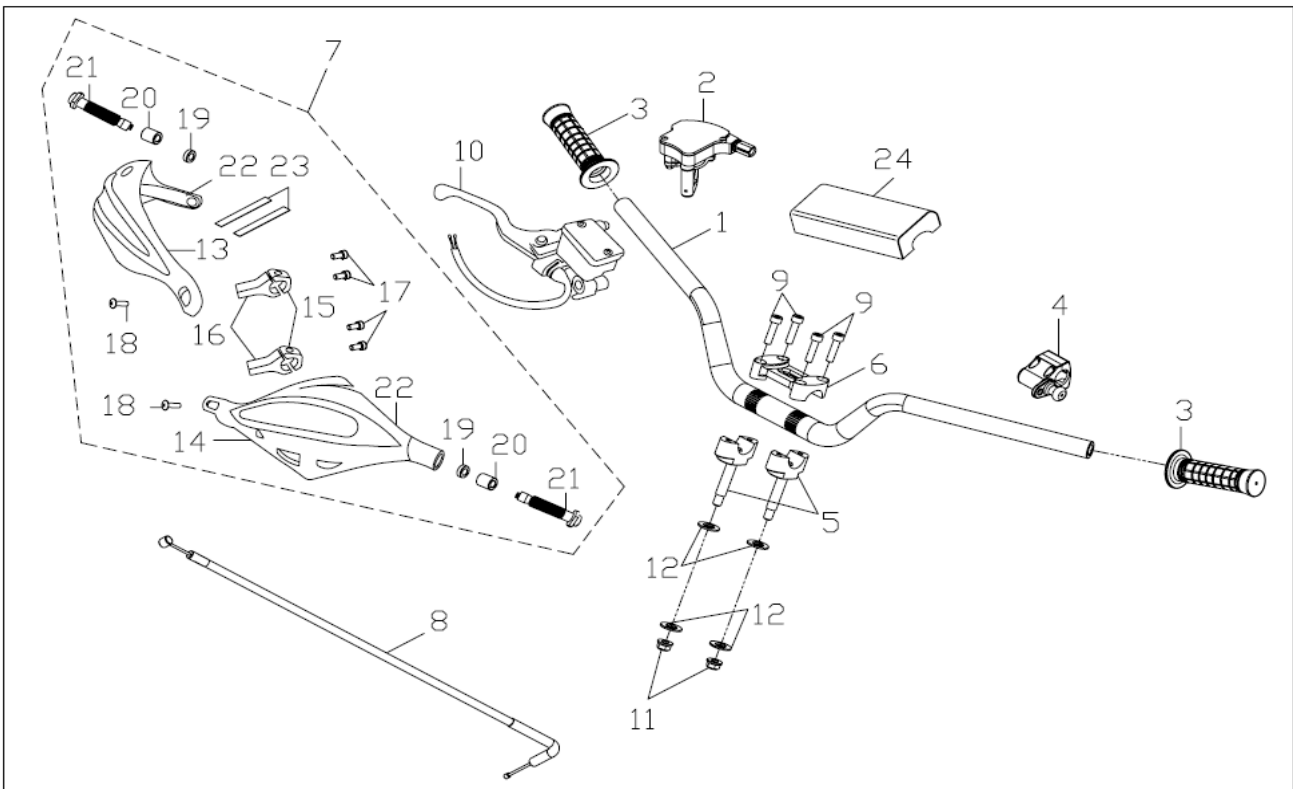
| Item | Part No. | Part Name | Spec. | Q'ty |
|------|-------------------------|-------------------------------------|-------------------|------|
| 1 | 44710-186508-M958 | 輪胎後輪 Tyre, Rear (Maxxis) | M958 (18x6.5-8) | 2 |
| 2 | 44711-TR-412 | 風嘴 Valve, Rim | TR-412 | 2 |
| 3 | 44700-SL-0850-2030-4110 | 後鋁圈 AL Wheel, std. lip | 8x5.0, 4/110, 2+3 | 2 |
| 4 | A42350-7A1-00B-01 | 後軸連接器總成 Hub. Ass'y, Rear Wheel | AL, Forging | 2 |
| 5 | 44720-PK-6142 | 護套 Center Cap, Wheel | PK-6142 | 2 |
| 6 | 94201-32320 | 開口銷 Cotter Pin | 3.2x32.0 | 2 |
| 7 | 90351-14022-10 | 開槽止鬆螺帽 Nut | M14xP1.5 | 2 |
| 8 | 90350U-10014-10 | 法蘭U型止鬆螺帽 Nut, Flange Insert Lock | M10xP1.25 | 8 |
| 9 | 94101-1440050 | 平面墊圈 Washer, Plate | 14.3x40x5.0 | 2 |
| 10 | 91000-10030-08B | 六角承窩螺栓 Bolt, Hex. Socket | M10*P1.25 | 8 |
| 11 | 94101-2632-05 | 錐型墊圈 Washer, Taper | 25.5x32.4x5 | 2 |
| 12 | 42350-7A1-00B-01 | 後軸連接器 Hub. , Rear Wheel | | 2 |

F10, Handlebar



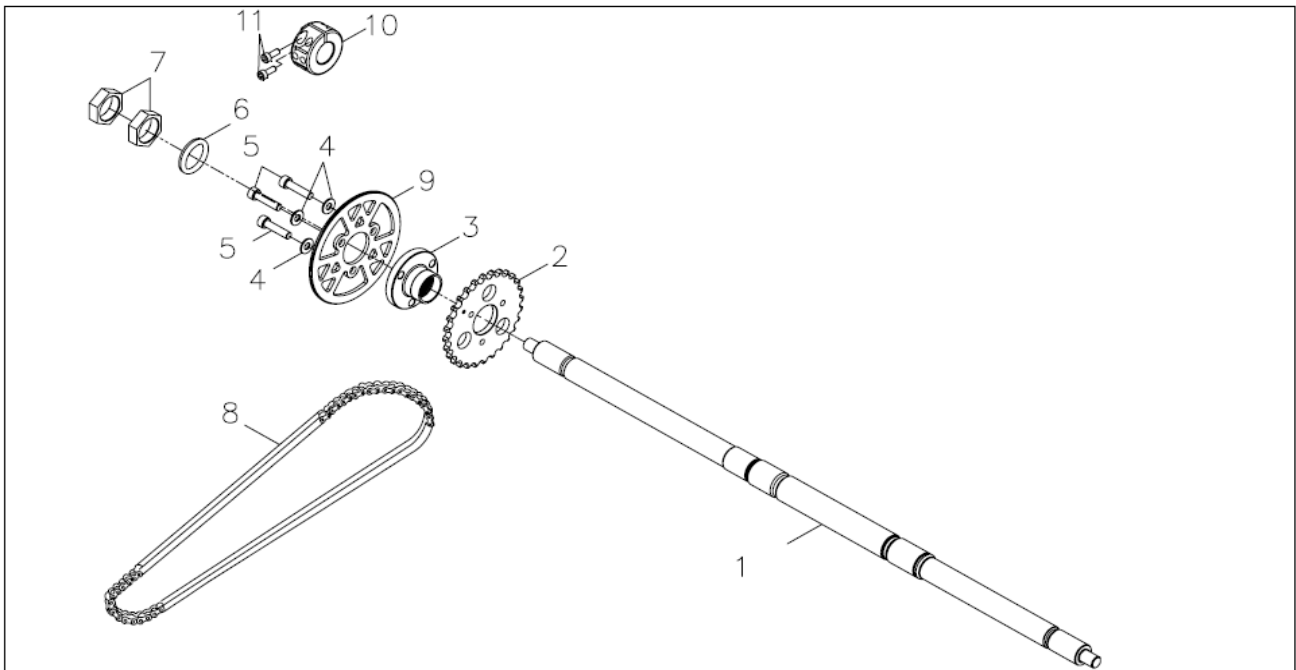
| Item | Part No. | Part Name | Spec. | Q'ty | |
|------|-----------------|----------------|----------------------------------|---------------|---|
| 1 | 53100-7A1-000 | 鋁手把(DB管)-2010版 | Handlebar, AL | 28.6mm | 1 |
| (2) | 56160-TMG-A00 | 油門操作總成 | Thumb Assy'y (OPTION) | Billet CNC | 1 |
| 2 | 56160-3AR-00A | 油門操作總成 | Thumb Assy'y | OEM | 1 |
| 3 | 53110-7A1-000 | 手把套 | Grip, Handlebar | HY-603 | 2 |
| 4 | 17517-AMCO-000 | 安全開關 | Kill, Switch | | 1 |
| 5 | 53332-T-118 | 手把下固定座總成-2010版 | Bottom Holdar, Handlebar | 1-1/8", 39mm | 2 |
| 6 | 53320-T-118B | 手把固定上座-2010版 | Up Holdar, Handlebar | AL 1-1/8"-66L | 1 |
| 7 | 53150-7MA-A00 | 護弓總成 | Hand Guard Ass'y (OPTION) | TB管用(大孔) | 1 |
| 8 | 17910-7A1-00B | 油門線 | Cable, Throttle | | 1 |
| 9 | HSC-08030-S | 六角承窩螺栓 | Bolt, Hex. Socket | M8x30 | 4 |
| 10 | 56170-3AR-00C | 前煞車總泵 | Master Cylinder Ass'y, F. | W/O switch | 1 |
| 11 | NA-12019-B | 六角耐落螺帽-2010版 | Nut, Flange Insert Lock | M12xP1.75 | 2 |
| 12 | 94101-1426020 | 平面墊圈-2010版 | Washer, Plate | 14*26*2.0 | 4 |
| 13 | 53151-TMG-000 | 右護弓 | R-Hand Guard (OPTION) | | 1 |
| 14 | 53152-TMG-000 | 左護弓 | L-Hand Guard (OPTION) | | 1 |
| 15 | 53153-7MA-000 | 護弓固定座-蓋 | Holder A, Hrandle Guard (OPTION) | TB管用(大孔) | 2 |
| 16 | 53154-7MA-000 | 護弓固定座-座 | Holder B, Hrandle Guard (OPTION) | TB管用(大孔) | 2 |
| 17 | 91000-05016-04B | 六角承窩螺栓(白鋅) | Bolt, Hex. Socket (OPTION) | M5xP0.8-16L | 4 |
| 18 | 93701-08020B | 十字半圓頭螺栓 | Screw, Flat Head (OPTION) | M8*P1.25-20L | 2 |
| 19 | 53156-TMG-000 | 間隔管 | Spacer (OPTION) | | 2 |

F10, Handlebar



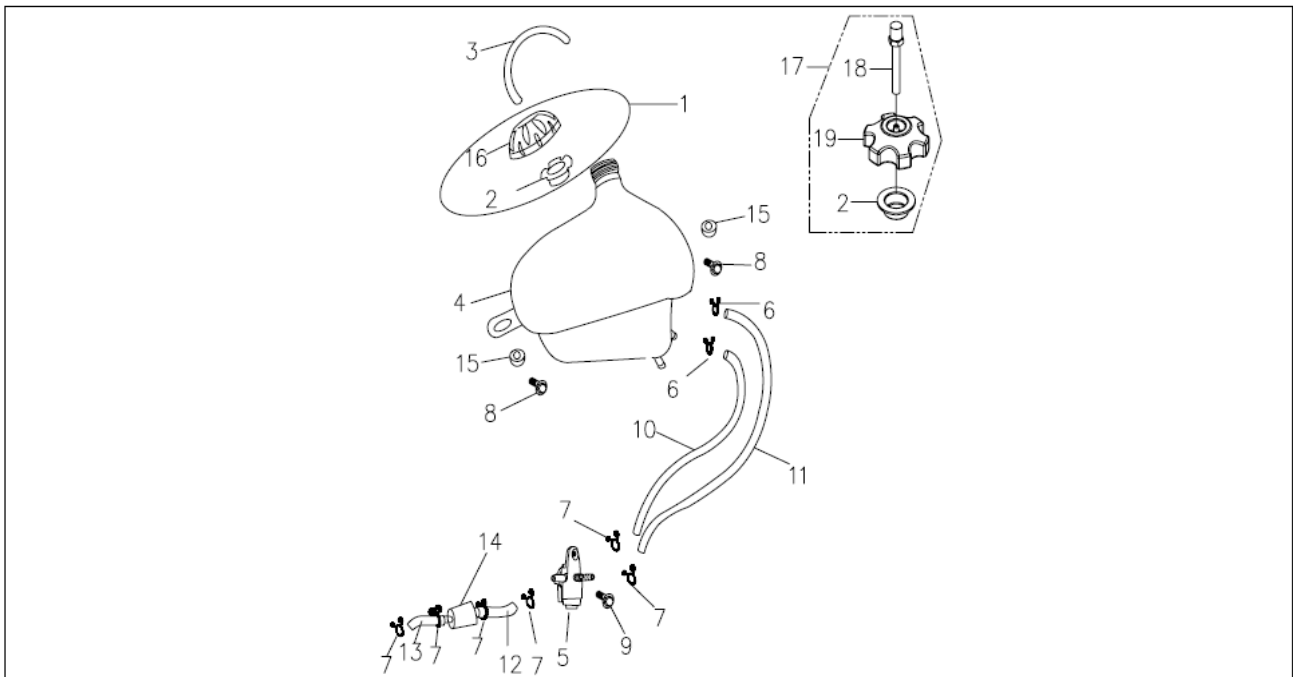
| Item | Part No. | Part Name | Spec. | Q'ty |
|------|---------------|--------------------------------------|----------|------|
| 20 | 53157-TMG-000 | 塑膠管套 Spacer, Plastic (OPTION) | | 2 |
| 21 | 53155-TMG-000 | 固定螺栓 Bolt (OPTION) | | 2 |
| 22 | 53158-TMG-000 | 護弓固定桿 Stay, Handle Guard (OPTION) | | 2 |
| 23 | 53159-7MA-000 | 橡膠墊 Rubber Band(OPTION) | | 2 |
| 24 | 53120-7A1-000 | 防撞套 Pad, Handlebar | 方型, APEX | 1 |

F-11 Axle & Sprocket



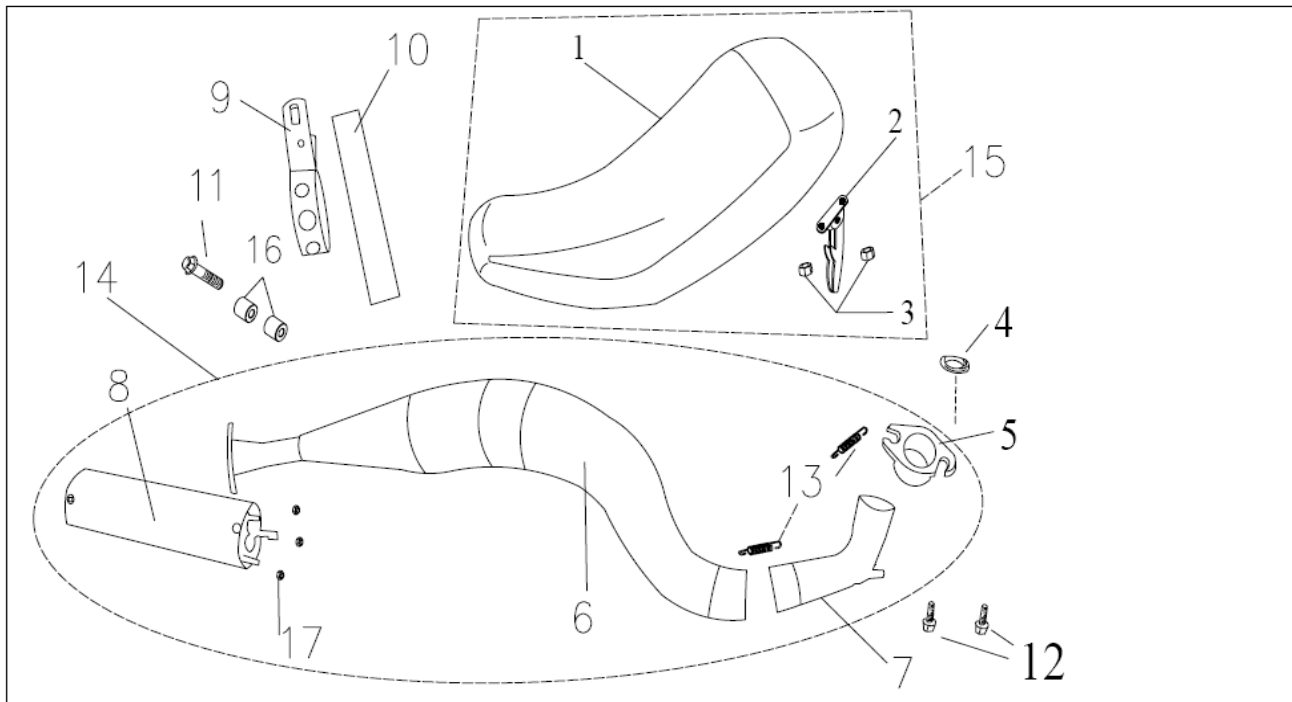
| Item | Part No. | Part Name | | Spec. | Q'ty |
|-------------|------------------------|----------------|-----------------------------------|--------------------|----------|
| 1 | 42300-3AR-00B | 後輪軸 | Axle, Wheel | 30x864L | 1 |
| 2 | 41200-428030 | 齒輪盤 | Sprocket | 428-30 | 1 |
| 3 | 42615-3AR-000 | 後鍊輪固定座 | Bracket, Sprocket | | 1 |
| 4 | SW08015 K | 彈簧墊圈 | Washer, Spring | | 3 |
| 5 | 91000-08025-2G | 六角承窩螺栓 | Bolt, Hex. Socket | M8*25 | 3 |
| 6 | 42331-3AR-000 | 後輪軸彈簧墊圈 | Washer, Spring | | 1 |
| (6) | 42331-3AR-000 | 後輪軸彈簧墊圈 | Washer, Spring | | 2 |
| 7 | 42330-3AR-000 | 後輪軸固定螺帽 | Nut, Axle | | 2 |
| 8 | 40530-428090 | 鍊條 | Chain | 428-90 | 1 |
| 9 | 42611-7A1-000-BK | 鏈輪護蓋 | Protector, Sprocket | BLACK | 1 |
| (10) | 42330-7A1-000 | 後輪軸固定螺帽 | Nut, Axle (OPTION) | CNC, BILLET | 1 |
| (11) | 91000-06025-05B | 六角承窩螺栓 | Bolt, Hex. Socket (OPTION) | 1/4"-20L | 2 |

F-12 Fuel Tank



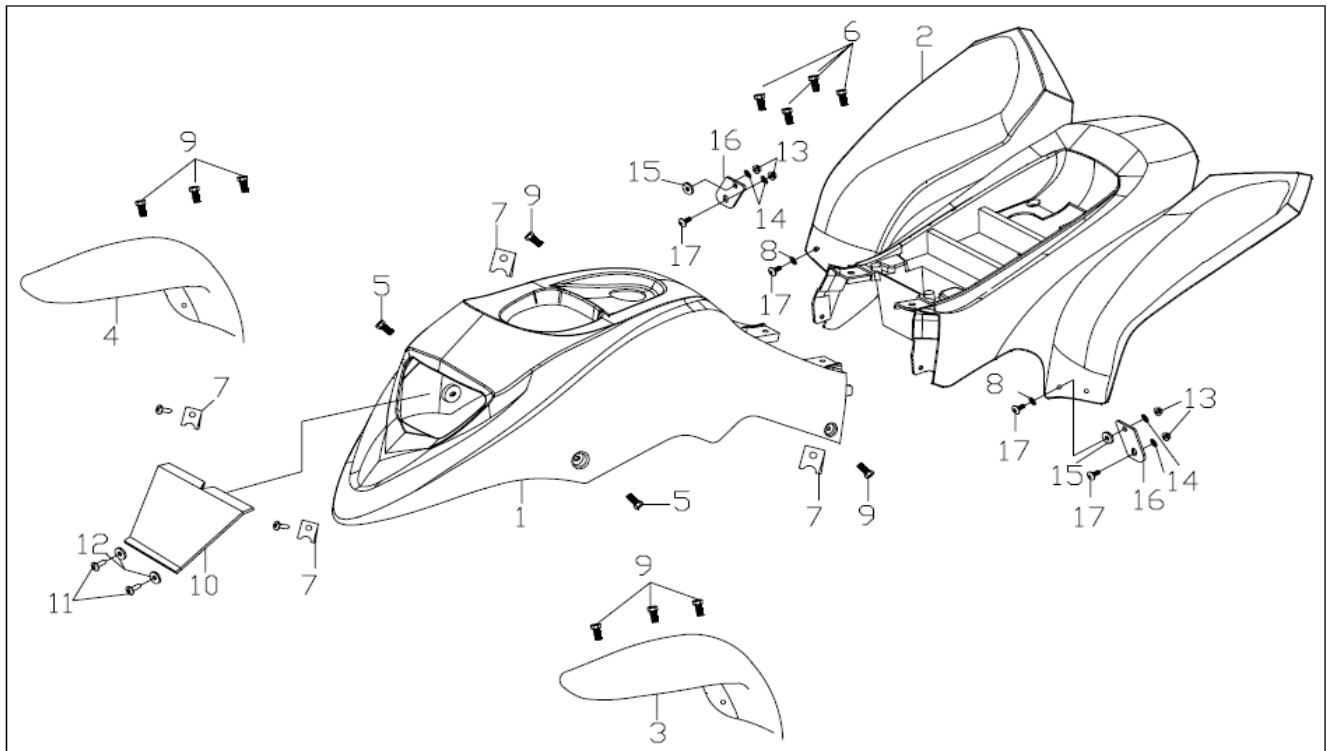
| Item | Part No. | | Part Name | Spec. | Q'ty |
|------|-----------------------|---------------|--------------------------------------|-----------------------|----------|
| 1 | A17620-3AR-000 | 汽油箱蓋總成 | Cap Ass'y, Fuel Tank | OEM | 1 |
| 2 | 17622-3AR-000 | 汽油箱蓋密合墊 | Seal, Cap | | 1 |
| 3 | 17630-08250 | 通氣管 | Tube, Breathe | 4.5x8x250L | 1 |
| 4 | 17510-3AR-000 | 汽油箱 | Tank, Fuel | | 1 |
| 5 | 16950-3AR-000 | 汽油杯 | Cock Ass'y, Fuel | | 1 |
| 6 | 17631-3AR-000 | 汽油管止夾 | Clip, Fuel Tube | 0.8*10*13 | 2 |
| 7 | 16320-08008 | 止夾(小) | Clip, Fuel Tube | 8x0.8 | 6 |
| 8 | 90112-06020-0G | 六角緣面台階螺栓 | Hex Flange, Shoulder Bolt | M6x20 | 2 |
| 9 | 95701-06012-07 | 六角緣面螺栓 | Bolt , Hex. Flange | M6x12 | 1 |
| 10 | 17630-08290 | 汽油管 A 長 | Tube A, Fuel | L=290 | 1 |
| 11 | 17630-08235 | 汽油管 B 短 | Tube B, Fuel | L=235 | 1 |
| 12 | 17630-10100 | 汽油管 C | Tube C, Fuel | 4.5x10x100L | 1 |
| 13 | 17630-10110 | 汽油管 D | Tube D, Fuel | 4.5x10x110L | 1 |
| 14 | 16300-A2C4-000 | 汽油過濾器 | Filter, Fuel | (PM-13-008) | 1 |
| 15 | 17520-3AR-000 | 汽油箱橡膠塞 | Rubber, Fuel Tank | | 2 |
| 16 | 17623-3AR-000 | 汽油箱蓋 | Cap, Fuel Tank | OEM | 1 |
| (17) | A17620-7A1-A00 | 油箱蓋總成 | Cap Ass'y, Fuel Tank (OPTION) | AL, CNC Billet | 1 |
| (18) | 17623-TMG-A00 | 油箱蓋通氣閥 | Berather, Cap (OPTION) | AL, CNC Billet | 1 |
| (19) | 17623-7A1-000 | 油箱蓋 | Cap, Fuel Tank (OPTION) | AL, CNC Billet | 1 |

F-13 Seat & Exhaust Pipe (90/100cc)



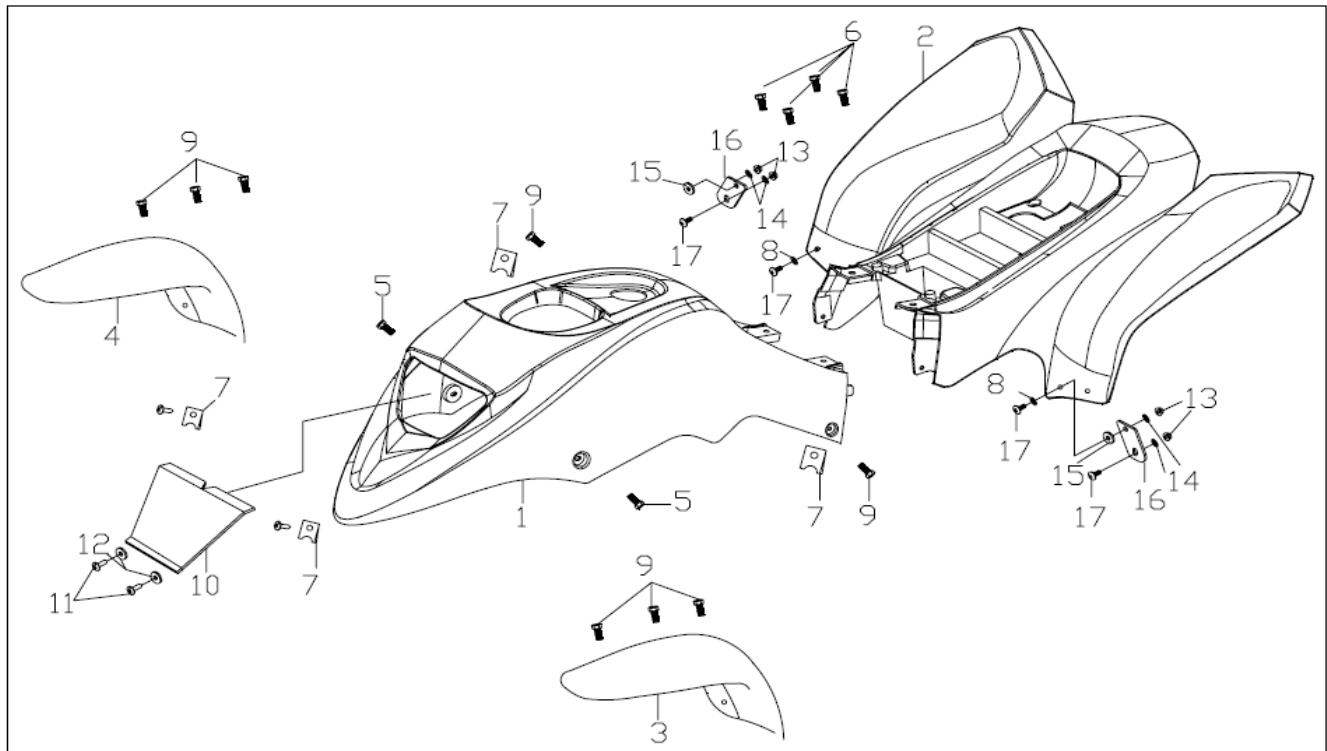
| Item | Part No. | | Part Name | Spec. | Q'ty |
|------|-----------------|------------|--------------------------------|-------------|------|
| 1 | 77200-3AR-0EM | 坐墊 | Seat | ATV-131 | 1 |
| 2 | 77230-3AR-000 | 坐墊開關總成 | Lock Ass'y, Seat | | 1 |
| 3 | 94050-06000 | 六角緣面螺帽 | Nut, Hex Flange with Serration | | 2 |
| 4 | 53420-3AR-000 | 排氣管墊片 | Gasket, Exhaust Pipe | | 1 |
| 5 | 53480-3AR-00A | 排氣管頭座 | Connector, Head Pipe | 70/90/100cc | 1 |
| 6 | 53400-3AR-00S | 排氣管本體 | Exhaust Pipe | 70/90/100cc | 1 |
| 7 | 53481-3AR-000 | 排氣管中座 | Connector, Middle Pipe | 70/90/100cc | 1 |
| 8 | 53510-3AR-000 | 排氣管尾管 | Pipe, Tail | | 1 |
| 9 | 52411-7A1-000 | 排氣管束 | Clamp, Exhaust Pipe | | 1 |
| 10 | 53412-3AR-00A | 排氣管橡膠條 | Rubber, Exhaust Pipe | | 1 |
| 11 | 95701-08055-12B | 六角緣面螺栓-耐落 | Bolt , Hex. Flange | M8*55 | 1 |
| 12 | 91000-06012-18 | 六角承窩螺栓 | Hex. Bolt, Socket | M6*12 | 2 |
| 13 | 53413-3AR-000 | 排氣管固定彈簧 | Spring, Connector | | 2 |
| 14 | A53400-3AR-00S | 手工管總成 | Pipe Ass'y Exhaust | 70/90/100cc | 1 |
| 15 | A77000-3AR-0EM | 坐墊總成 | Seat Ass'y | 全黑 | 1 |
| 16 | 50150-0819-16B | 間隔管(後剎車卡鉗) | spacer, Caliper Ass'y | 8*19*16L | 2 |
| 17 | 94050-05000 | 六角緣面螺帽 | Nut, Hex Flange with Serration | | 3 |

F-14 Body Cover



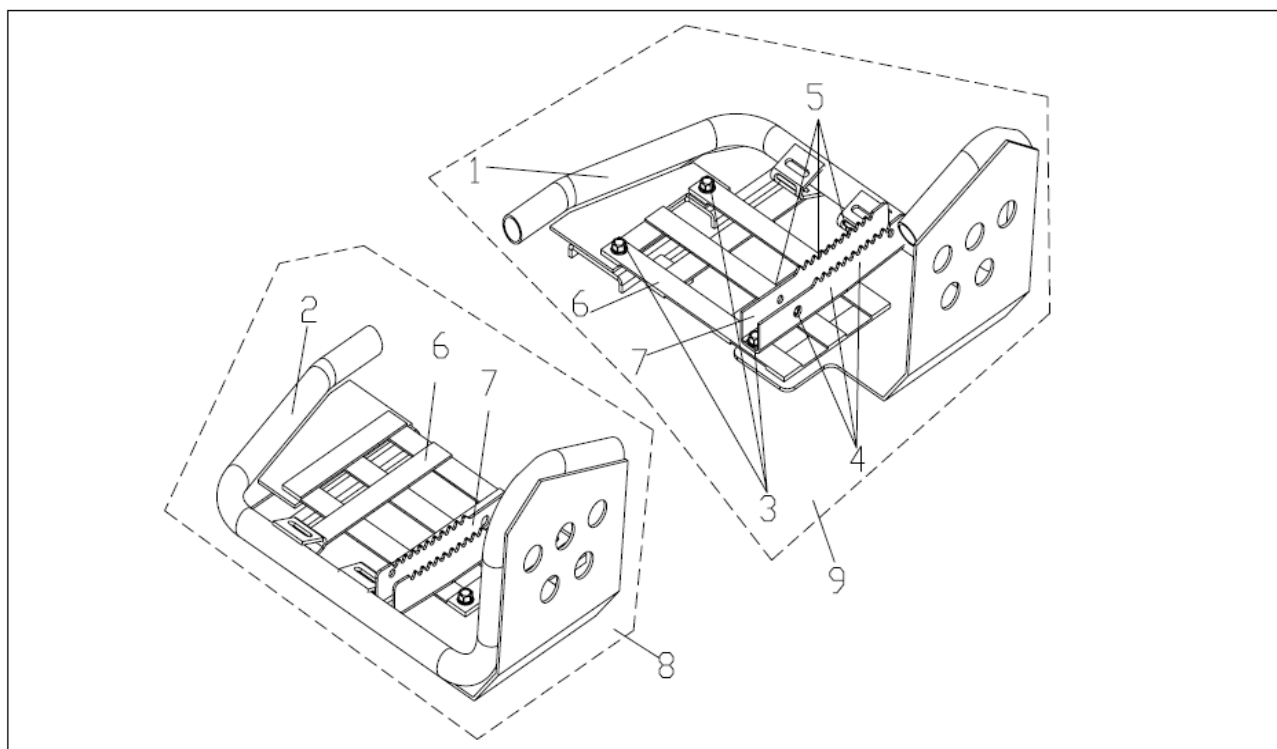
| Item | Part No. | Part Name | | Spec. | Q'ty |
|------|---------------|-----------|-------------------|--------|------|
| 1 | 61320-3AR-OR0 | 前車殼 | Body Cover, Front | ORANGE | 1 |
| | 61320-3AR-BL0 | 前車殼 | Body Cover, Front | BLUE | 1 |
| | 61320-3AR-BK0 | 前車殼 | Body Cover, Front | BLACK | 1 |
| | 61320-3AR-YE0 | 前車殼 | Body Cover, Front | YELLOW | 1 |
| | 61320-3AR-WH0 | 前車殼 | Body Cover, Front | WHITE | 1 |
| | 61320-3AR-RE0 | 前車殼 | Body Cover, Front | RED | 1 |
| 2 | 64340-3AR-OR0 | 後車殼 | Body cover, Rear | ORANGE | 1 |
| | 64340-3AR-BL0 | 後車殼 | Body cover, Rear | BLUE | 1 |
| | 64340-3AR-BK0 | 後車殼 | Body cover, Rear | BLACK | 1 |
| | 64340-3AR-YE0 | 後車殼 | Body cover, Rear | YELLOW | 1 |
| | 64340-3AR-WH0 | 後車殼 | Body cover, Rear | WHITE | 1 |
| | 64340-3AR-RE0 | 後車殼 | Body cover, Rear | RED | 1 |
| 3 | 61200-3AR-ORA | 左土除美式 | Fender, L. | ORANGE | 1 |
| | 61200-3AR-BLA | 左土除美式 | Fender, L. | BLUE | 1 |
| | 61200-3AR-BKA | 左土除美式 | Fender, L. | BLACK | 1 |
| | 61200-3AR-YEA | 左土除美式 | Fender, L. | YELLOW | 1 |
| | 61200-3AR-WHA | 左土除美式 | Fender, L. | WHITE | 1 |
| | 61200-3AR-REA | 左土除美式 | Fender, L. | RED | 1 |

F-14 Body Cover



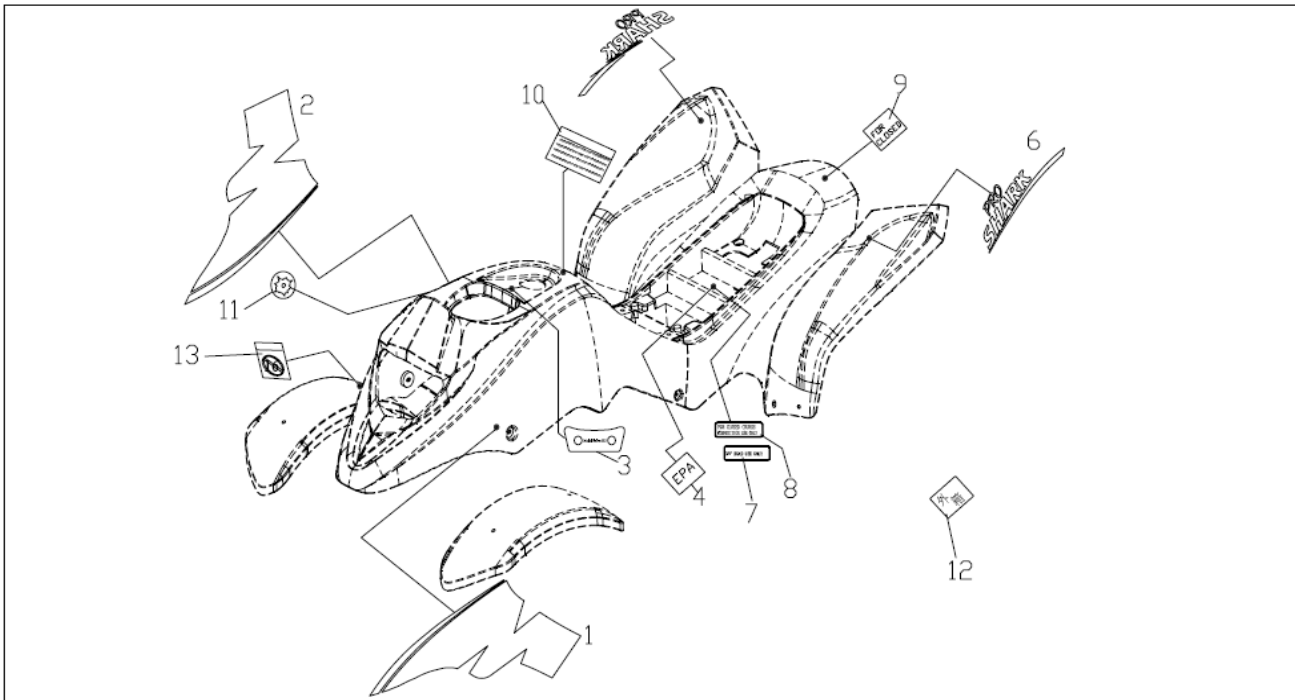
| Item | Part No. | Part Name | | Spec. | Q'ty |
|------|-----------------|-------------|-------------------------------|------------|------|
| 4 | 61100-3AR-ORA | 右土除美式 | Fender, R. | ORANGE | 1 |
| | 61100-3AR-BLA | 右土除美式 | Fender, R. | BLUE | 1 |
| | 61100-3AR-BKA | 右土除美式 | Fender, R. | BLACK | 1 |
| | 61100-3AR-YEA | 右土除美式 | Fender, R. | YELLOW | 1 |
| | 61100-3AR-WHA | 右土除美式 | Fender, R. | WHITE | 1 |
| | 61100-3AR-REA | 右土除美式 | Fender, R. | RED | 1 |
| 5 | 93404-06012-07 | 六角螺栓(附墊圈) | Bolt ,Hex. Flange with Washer | M6*12 | 2 |
| 6 | 90005-06012-17 | 十字大平頭螺栓 | Bolt, Flate | M6*12 | 4 |
| 7 | 90344-06000K | 夾片 | Plate, Spring | | 2 |
| 8 | 93103-06014-08N | 尼龍墊圈 | Washer, Nylon | | 2 |
| 9 | 93404-06016-10G | 六角螺栓附墊圈 | Bolt ,Hex. Flange with Washer | M6*16 | 8 |
| 10 | 34310-3AR-000 | 前燈網罩 | Mesh | | 1 |
| 11 | TT-105120-U3 | 十字大平頭螺絲(自攻) | Bolt, Flate | M5*12 | 2 |
| 12 | FW05014 K | 平面墊圈 | Washer, Plate | 5.6*14*0.8 | 2 |
| 13 | NN-06010B | 六角尼龍螺帽 | Nut, Hex Lock | M6xP1.0 | 4 |
| 14 | 94101-061810-B | 平面墊圈 | Washer, Plate | 6.2*18*1.0 | 4 |
| 15 | 50536-7A1-000 | 橡膠墊 | Damper, Rubber | 7x20x3 | 2 |
| 16 | 52525-7A1-001 | 後蓋承座 | Stay, Rear Cover | | 2 |
| 17 | 93701-06016B | 十字扁圓螺栓 | Screw, Flat Head | M6*16 | 4 |

F15 NERF Bar



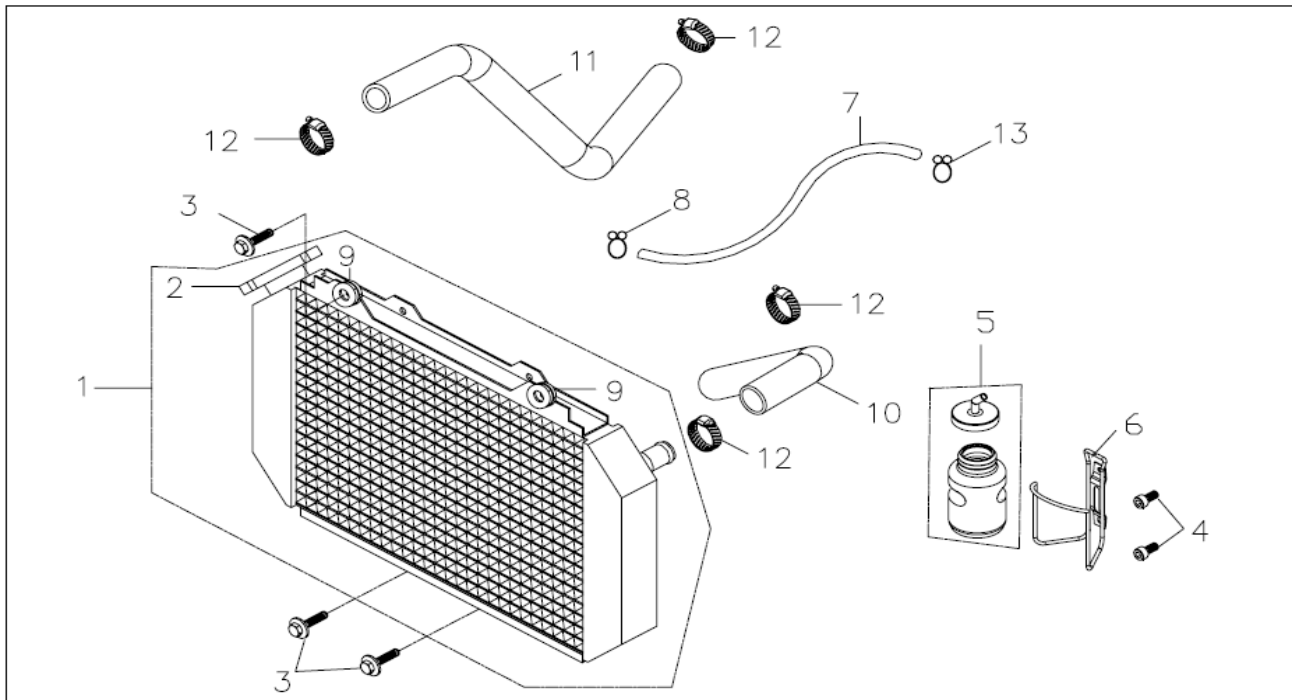
| Item | Part No. | | Part Name | Spec. | Q'ty |
|------|------------------|--------|----------------------------|---------|------|
| 1 | 50820-7A1-000-SI | 右鋁踏板 | R. Bar, Nerf | SILVER | 1 |
| | 50820-7A1-000-BK | 右鋁踏板 | R. Bar, Nerf | BLACK | 1 |
| 2 | 50810-7A1-000-SI | 左鋁踏板 | L. Bar, Nerf | SILVER | 1 |
| | 50810-7A1-000-BK | 左鋁踏板 | L. Bar, Nerf | BLACK | 1 |
| 3 | 94000-08016 | 六角緣面螺栓 | Hex. Acorm Washer Face Nut | M8x16 | 8 |
| 4 | 94000-06065 | 六角緣面螺栓 | Hex. Acorm Washer Face Nut | M6x65 | 6 |
| 5 | NN-06010-B | 六角耐落螺帽 | Nut, Hex Lock | M6xP1.0 | 6 |
| 6 | 50821-3AR-00A | 腳踏板網 | Net | | 2 |
| 7 | 50840-3AR-00A | 腳踏板防滑座 | Peg, Foot | | 2 |
| 8 | A50813-7A1-000 | 左鋁踏板總成 | L. Bar, Ass'y Nerf | SILVER | 1 |
| | A50813-7A1-00A | 左鋁踏板總成 | L. Bar, Ass'y Nerf | BLACK | 1 |
| 9 | A50823-7A1-000 | 右鋁踏板總成 | R. Bar, Ass'y Nerf | SILVER | 1 |
| | A50823-7A1-00A | 右鋁踏板總成 | R. Bar, Ass'y Nerf | BLACK | 1 |

F-16 Sticker (UNI)



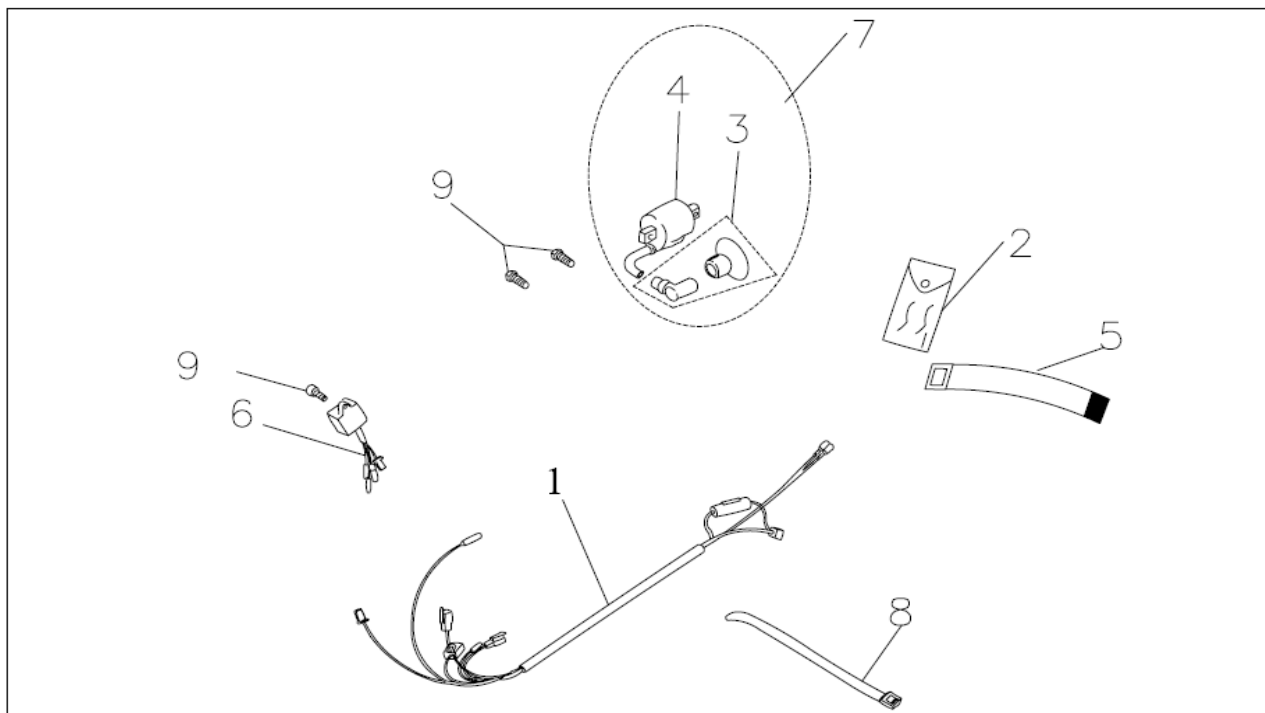
| Item | Part No. | | Part Name | Spec. | Q'ty |
|------|----------------|-------------|----------------------------|----------------|------|
| 1 | 61321-SVCA-000 | 貼紙側蓋左前 (丹麥) | Side Sticker, L. | | 1 |
| 2 | 61322-SVCA-000 | 貼紙側蓋右前 (丹麥) | Side Sticker, R. | RED FLAME, USA | 1 |
| 3 | 61323-3AR-000 | 前蓋指示燈貼紙 | UNLEADED ONLY | | 4 |
| 4 | 64514-3AR-000 | 美國EPA貼紙 | EPA Sticker | USA | 4 |
| 5 | 64342-3AR-1EM | 貼紙側蓋右後 | Rear Sticker, R | PRO MX美國-銀 | 1 |
| 6 | 64341-3AR-1EM | 貼紙側蓋左後 | Rear Sticker, L. | PRO MX美國-銀 | 1 |
| 7 | 64518-3AR-000 | 競賽貼紙-1 | Sticker, off road 1 | USA | 4 |
| 8 | 64517-3AR-000 | 競賽貼紙-2 | Sticker, off road 2 | USA | 4 |
| 9 | 64512-3AR-0EM | 警告貼紙 | Warning Label, Racing | USA | 4 |
| 10 | 61327-3AR-00EM | 機油警告貼紙 | Warning Label, Oil Mixture | 混合比, USA | 1 |
| 11 | 61329-3AR-000 | 電源鎖貼紙 | Sticker, Key Switch | | 1 |
| 12 | 64519-3AR-000 | 運送疏失 | Warning Label, Delivert | USA | 4 |

F17, Radiator



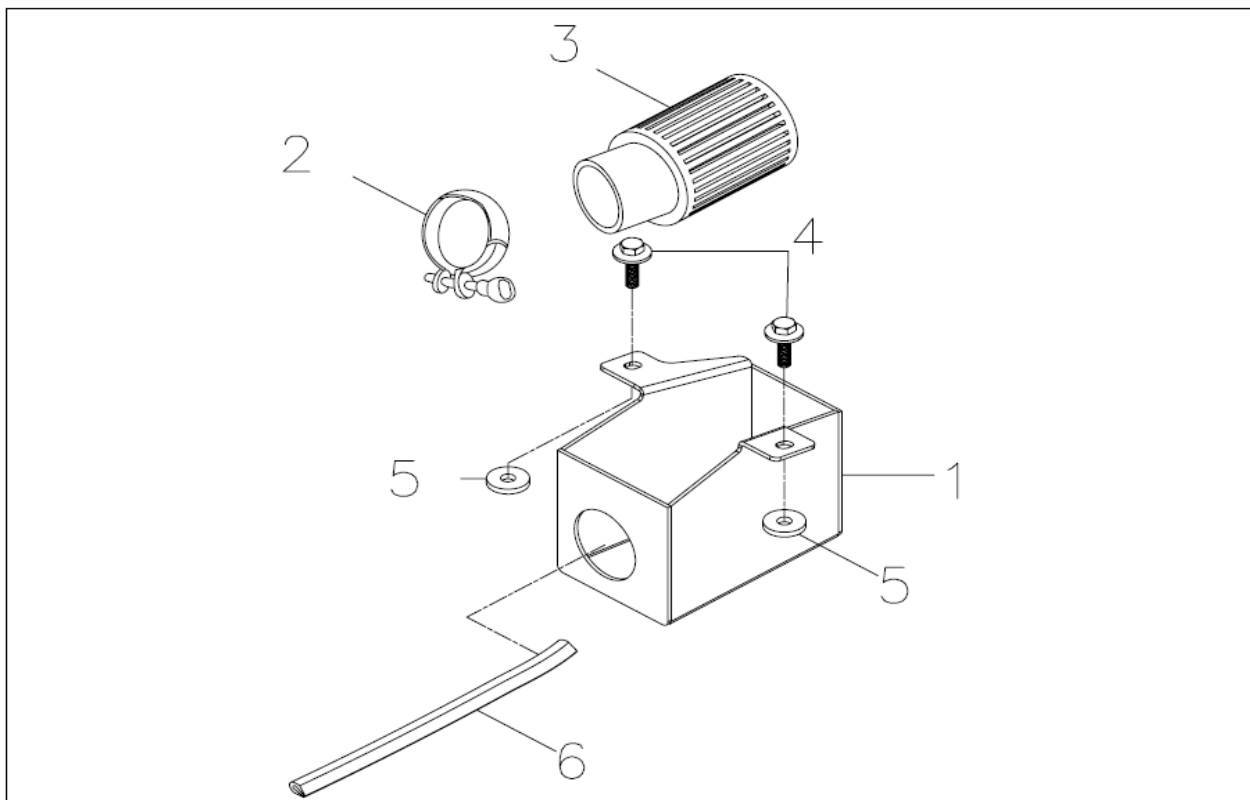
| Item | Part No. | | Part Name | Spec. | Q'ty |
|------|-----------------|-----------|---------------------------|-----------|------|
| 1 | A15231-7A1-A0A | 水箱 | Radiator | AL | 1 |
| 2 | 15232-7A1-000 | 水箱蓋 | Cap, Liquid Cooler | | 1 |
| 3 | 91750-06020-10G | 六角螺栓(附墊圈) | | M6x20 | 4 |
| 4 | 91000-06010-07 | 六角承窩螺栓 | Bolt, Hex. Socket | M6x10 | 2 |
| 5 | 19200-3AR-000 | 副水箱總成 | Aux. Tank Kit, Liquid | | 1 |
| 6 | 19210-3AR-00A | 副水箱架 | Bracket, Aux. Liquid Tank | (塑膠) | 1 |
| 7 | 95005-609-1240 | 洩壓管 | Tube, Overflow | 6x9x1124L | 1 |
| 8 | 16320-08008 | 止夾(小) | Clip | 8*0.8 | 1 |
| 9 | 15234-7A1-000 | 水箱吸震襯套 | Rubber Absorber, Radiator | 附屬品 | 4 |
| 10 | 15233-162440 | 冷卻水管C | Hose C, Liquid | L=440 | 1 |
| 11 | 15233-162610 | 冷卻水管A | Hose A, Liquid | L=610 | 1 |
| 12 | 16411-A2DL-000 | 管束 | Clamp, Hose | 美式 1 1/4" | 4 |
| 13 | 16320-10012 | 止夾(大) | Clip | 10*1.2 | 1 |

F18, Electrical



| Item | Part No. | | Part Name | Spec. | Q'ty |
|------|----------------|-----------|----------------------|---------------------|------|
| 1 | 32100-3AR-00D | 主配線無認證 | Wire, Electric | Racing, W/O E-start | 1 |
| 2 | 89010-3AR-000 | 工具包 | Tool | | 1 |
| 3 | 30700-3AR-000 | 火星塞帽蓋 | Cap, Spark Plug | | 1 |
| 4 | 30500-3AR-000 | 點火線圈 | Coil, Ignition | | 1 |
| 5 | 89011-3AR-000 | 工具包束帶 | Band, Tool | | 1 |
| 6 | 30410-3AR-00A | C.D.I電子元件 | C.D.I Unit | Racing | 1 |
| 7 | 30600-3AR-000 | 高壓線圈總成 | Coil Ass'y, Ignition | | 1 |
| 8 | 89020-3AR-200 | 束帶200M黑 | Strap | ALT-200MM | 5 |
| 9 | 95701-06016-07 | 六角緣面螺栓 | Bolt, Hex. Flange | M6x16 | 3 |

F-19 Air Box



| Item | Part No. | Part Name | | Spec. | Q'ty |
|------|-----------------|-------------|-------------------------------|----------|------|
| 1 | 17316-7A1-00A | 空濾器外蓋 | Air Box | | 1 |
| 2 | 16411-A2C4-00B | 管束(空濾器用) | Clamp | 32/50 | 1 |
| 3 | 17300-7A1-000 | 空氣濾清器(美國專用) | Air Box | (RU1280) | 1 |
| 4 | 93404-06016-10G | 六角螺栓附墊圈 | Bolt ,Hex. Flange with Washer | M6*16 | 2 |
| 5 | 50536-7A1-000 | 橡膠墊 | Damper, Rubber | | 2 |
| 6 | 17800-8A1-000 | 防震墊 | Panel | 210L | 1 |