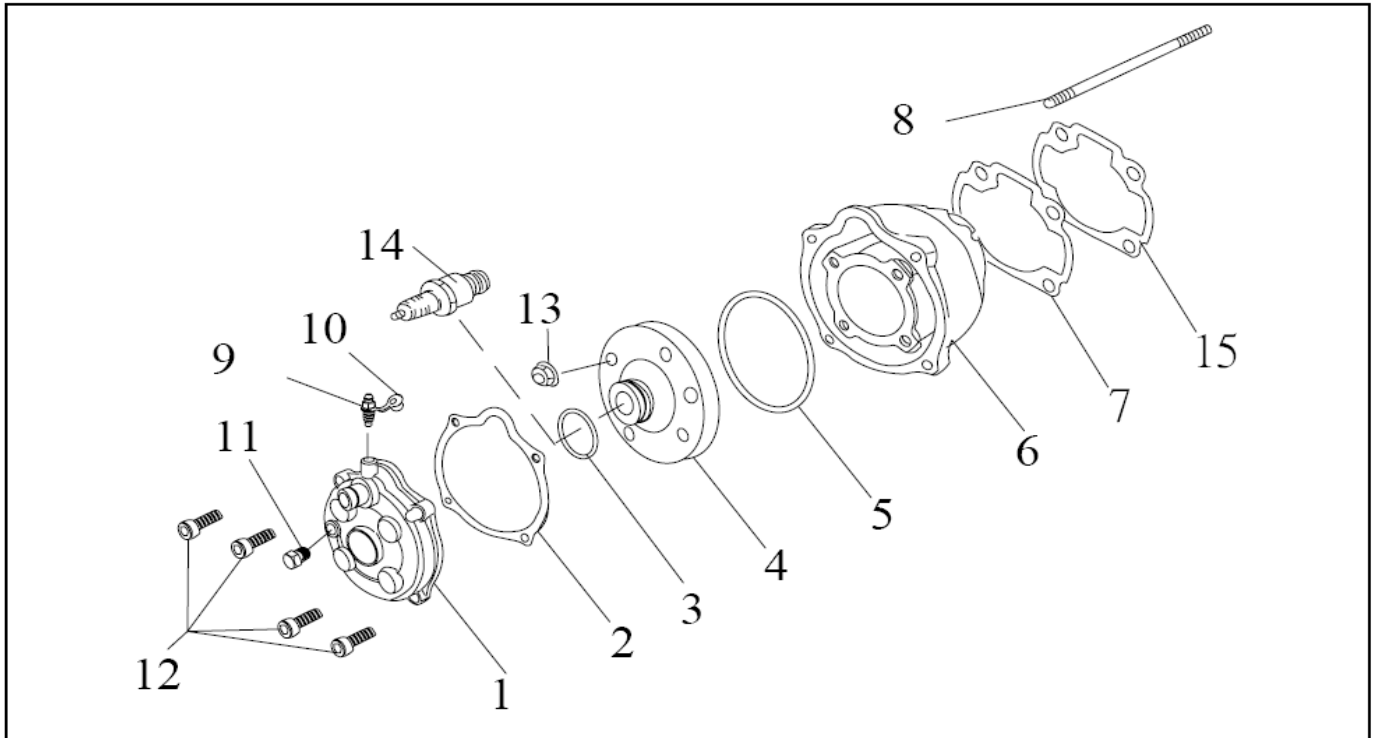
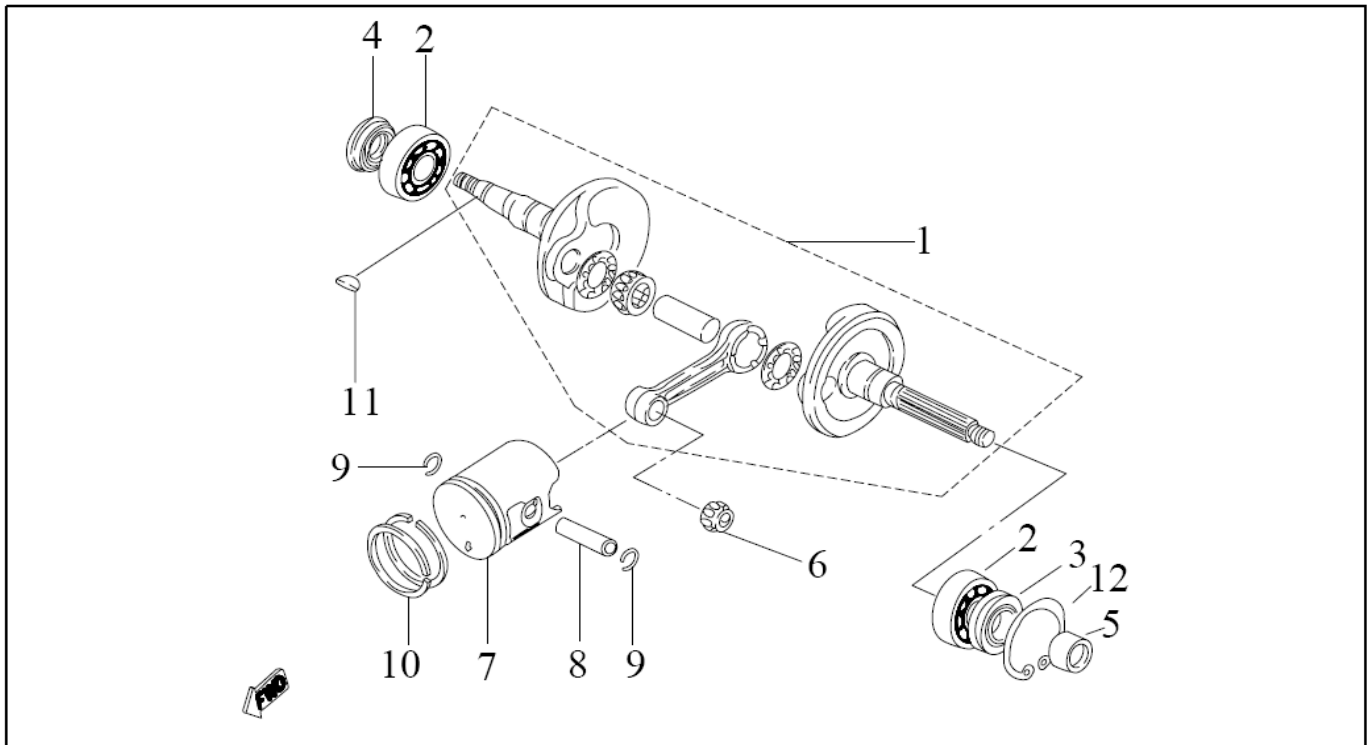


E-1, Cylinder, Cylinder Head & Spark Plug



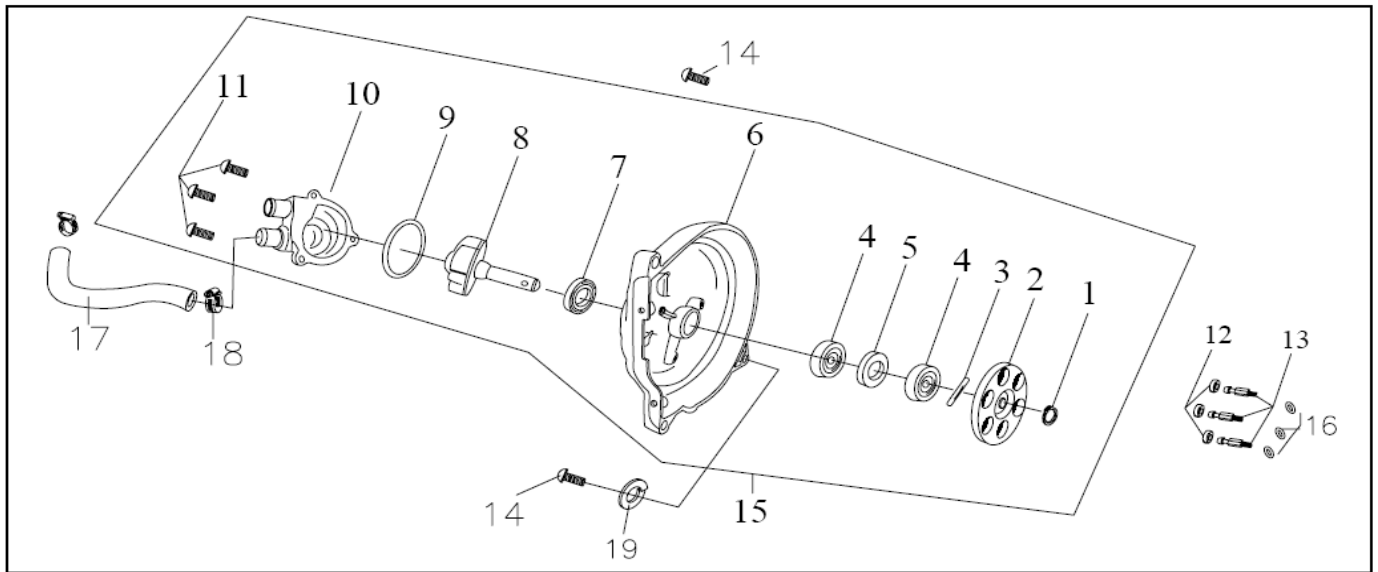
Item	Part No.	Part Name	Spec.	Q'ty
1	12210-A2DL-000	汽缸頭蓋 Head Cover, Cyl.		1
2	12251-A2DL-001	汽缸頭蓋墊片 Gasket, Head Cover		1
3	91300-240025	油環 Ring, Oil	24*2.4	1
4	12200-A2DL-000	汽缸頭 Head, Cylinder		1
5	91300-560020	油環 Ring, Oil	56*1.9	1
6	12100-A2DL-00A	汽缸 Cylinder	53mm/78-0.77mm	1
7	12191-A2C4-000	汽缸墊片 Gasket, Cylinder	0.5mm	1
8	90800-07113	雙頭螺栓 Bolt, Stud	M7*113	4
9	15872-A2DL-000	洩氣螺栓 Bolt, Leaking		1
10	15873-A2DL-000	洩氣螺栓蓋 Cap, Rubber		1
11	93600-18	管牙六角螺栓 Plug	PT1/8-24/8L	1
12	91000-06016	六角承窩螺栓 Hex. Socket Bolt	M6xP1.0x16	4
13	94000-07100	六角緣面螺帽 Nut	M7x1.0	4
14	98069-NGK-BP8ES	火星塞 Plug, Spark	BP8ES	1
15	12191-A2C4-00A	汽缸墊片 Gasket, Cylinder	0.8mm	1

E-2, Piston & Crankshaft



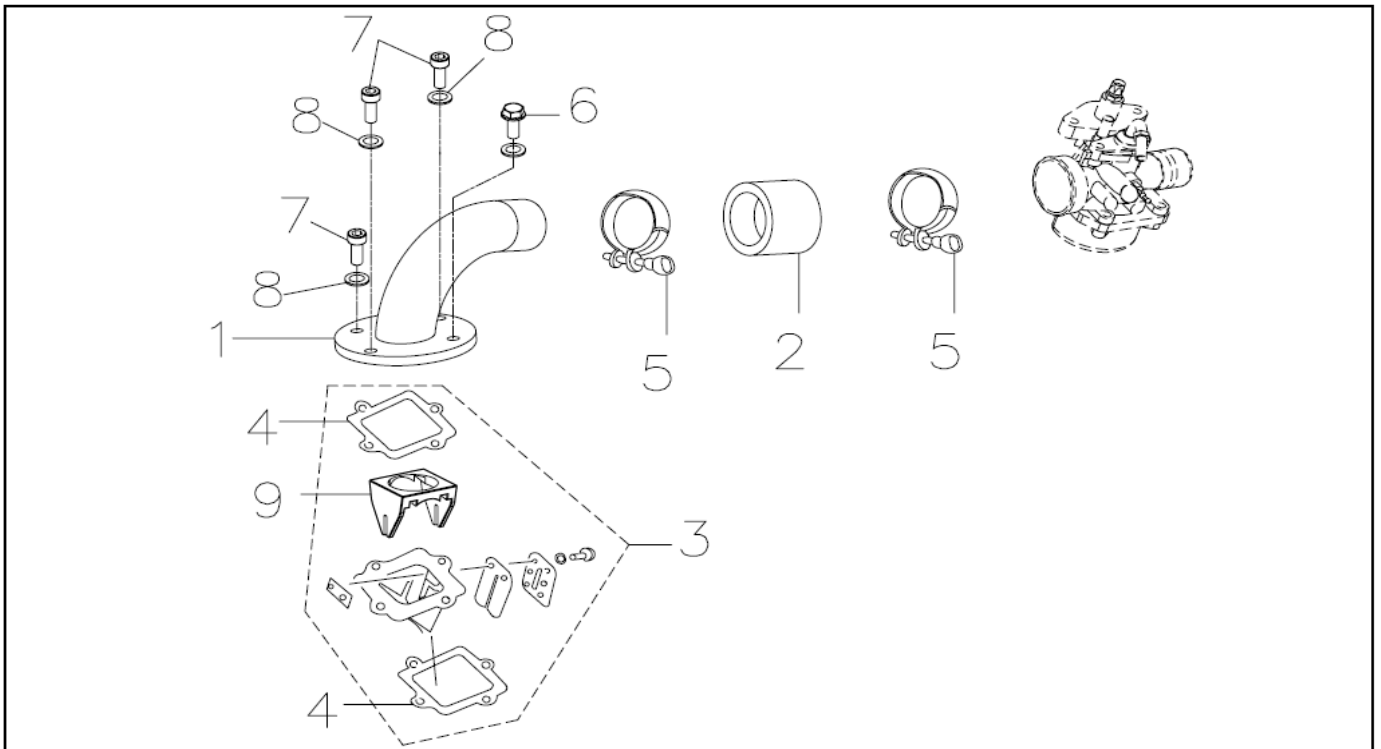
Item	Part No.	Part Name		Spec.	Q'ty
1	13000-A2D-000	曲軸總成	Crankshaft Ass'y	S=45mm	1
2	96200-6204C3	滾珠軸承	Ball Bearing, Crankshaft	6204C3	2
3	91200-20428	左曲軸油封	Oil Seal, L. Crank	20x42/43x8/9	1
4	91200-20306	右曲軸油封	Oil Seal, R. Crank	20x30/33.5x6	1
5	13200-A2C4-00A	左曲軸間隔管	Collar	16x21x18	1
6	96110-KBK12	小端滾針軸承	Bearing, Needle	12x15x16.6	1
7	13300-A2DL-000	活塞	Piston (std.)	53mm	1
8	13400-A2C4-000	活塞銷	Pin, Piston	8x12x40	1
9	13410-A2C4-000	活塞銷夾環	Clip, Piston Pin	12mm	2
10	13310-A2DL-000	活塞環組	Rings, Piston (std.)	53mm	1
11	13010-A2C4-000	半月鍵	Key, Woodruff	3x13	1
12	90500-RTW42	內環夾	Circlip	IRTW-42	1

E-3, Pump Ass'y, Liquid



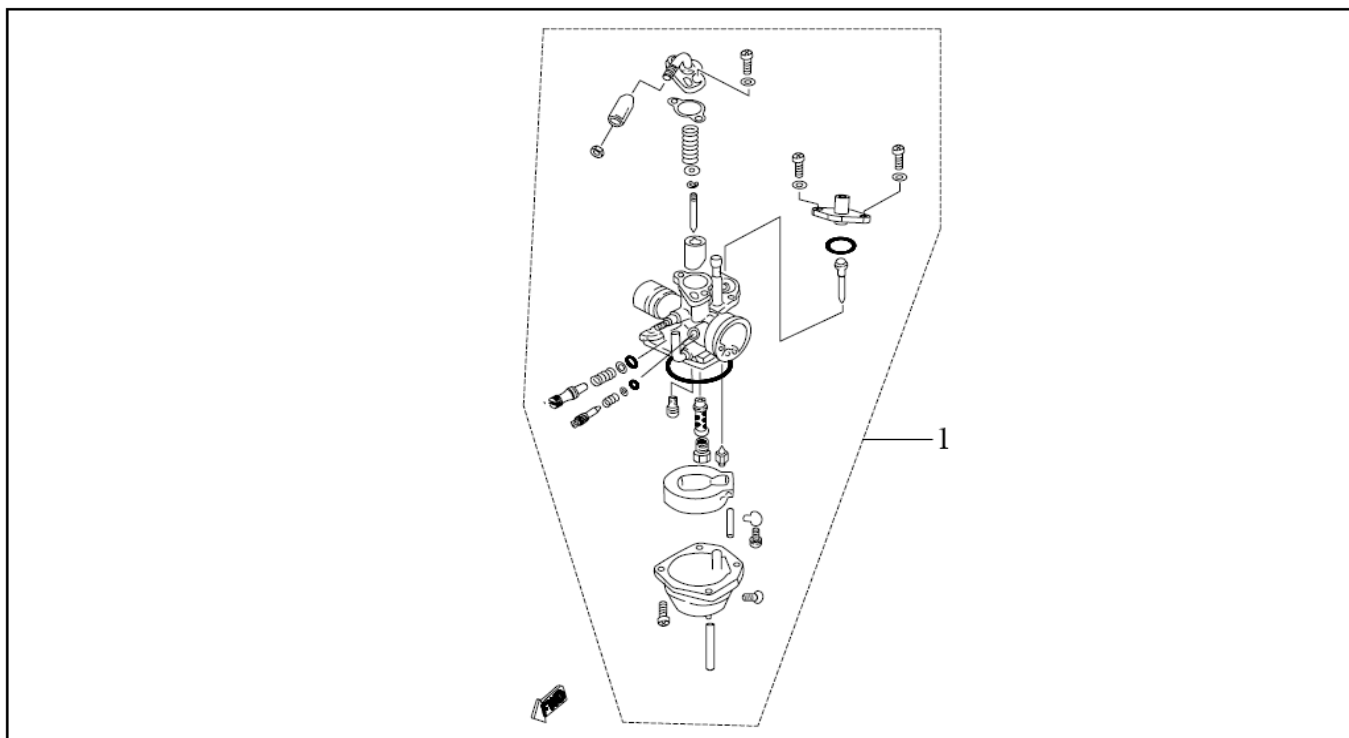
Item	Part No.	Part Name		Spec.	Q'ty
1	90601-S08	外環夾	Cir. Clip, External	S-8	1
2	15211-A2DL-000	水泵驅動盤	Drive Wheel, Pump		1
3	96220-030198	定位銷 3*21.5	Pin	3x21.5	1
4	96100-608LLU-C3	滾珠軸承	Ball, Bearing	608LLU-C3	2
5	15216-A2DL-000	軸環	Collar	16*21.8*4.5	1
6	15212-A2DL-000	水泵本體	Body, Pump		1
7	91204-101804	油封	Seal, Oil	10*18*4	1
8	15213-A2DL-000	水泵	Rotor Ass'y, Pump		1
9	91300-525020	油環	Ring, Oil	52.0*2.0	1
10	15215-A2DL-000	水泵蓋	Cap, Pump		1
11	91000-05020	六角承窩螺栓	Hex,Socket Bolt	M5x20	3
12	31130-A2DL-000	橡膠塞	Plug, Rubber		3
13	15875-A2DL-000	驅動螺栓	Bolt, Drive Wheel		3
14	91000-06025	六角承窩螺栓	Hex,Socket Bolt	M6x25	2
15	15200-A2DL-000	水泵總成	Pump Ass'y, Liquid		1
16	90426-061310	平面墊圈	Washer, Plate	6.5x13x1.0	3
17	15233-162421	冷卻水管B	Hose B, Liquid	L=210mm	1
18	16411-A2DL-000	管束	Clamp, Hose	1"	2
19	SW-06510B	彈簧墊圈	Washer, Spring	6.5x10x1.5	1

E4, Intake Manifold, Reed Valve



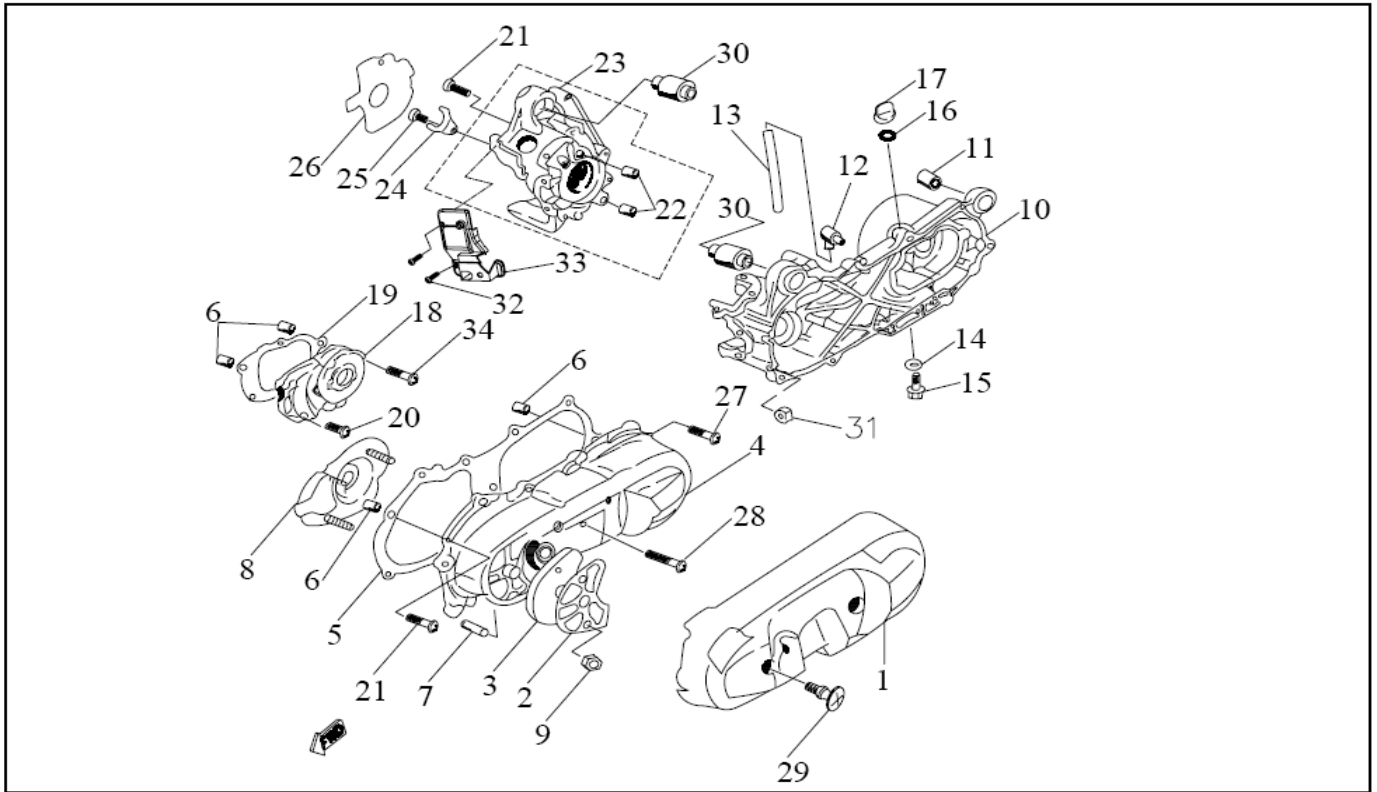
Item	Part No.	Part Name		Spec.	Q'ty
1	16410-A2C4-00C	進氣歧管	Manifold, Intake		1
2	16413-A2C4-000	連接管	Connector, Rubber		1
3	14710-A2C4-00A	逆止閥總成	Reed Valve Ass'y		1
4	14711-A2C4-000	逆止閥墊片	Gasket, Reed Valve	0.8mm	2
5	16411-A2C4-00A	進氣歧管軟管夾	Clamp	32/50	2
6	92100-06020-08B	六角緣面螺栓	Hex. Washer Face Bolt	M6x20	1
7	91000-06020-05B	內六角承窩螺栓	Hex. Socket Bolt	M6x20	3
8	SW-06510B	彈簧墊圈	Washer, Spring	6.5x10x1.5	4
9	14713-A2C4-000	牙套	Spacer	ψ26mm	1

E5, Carburetor



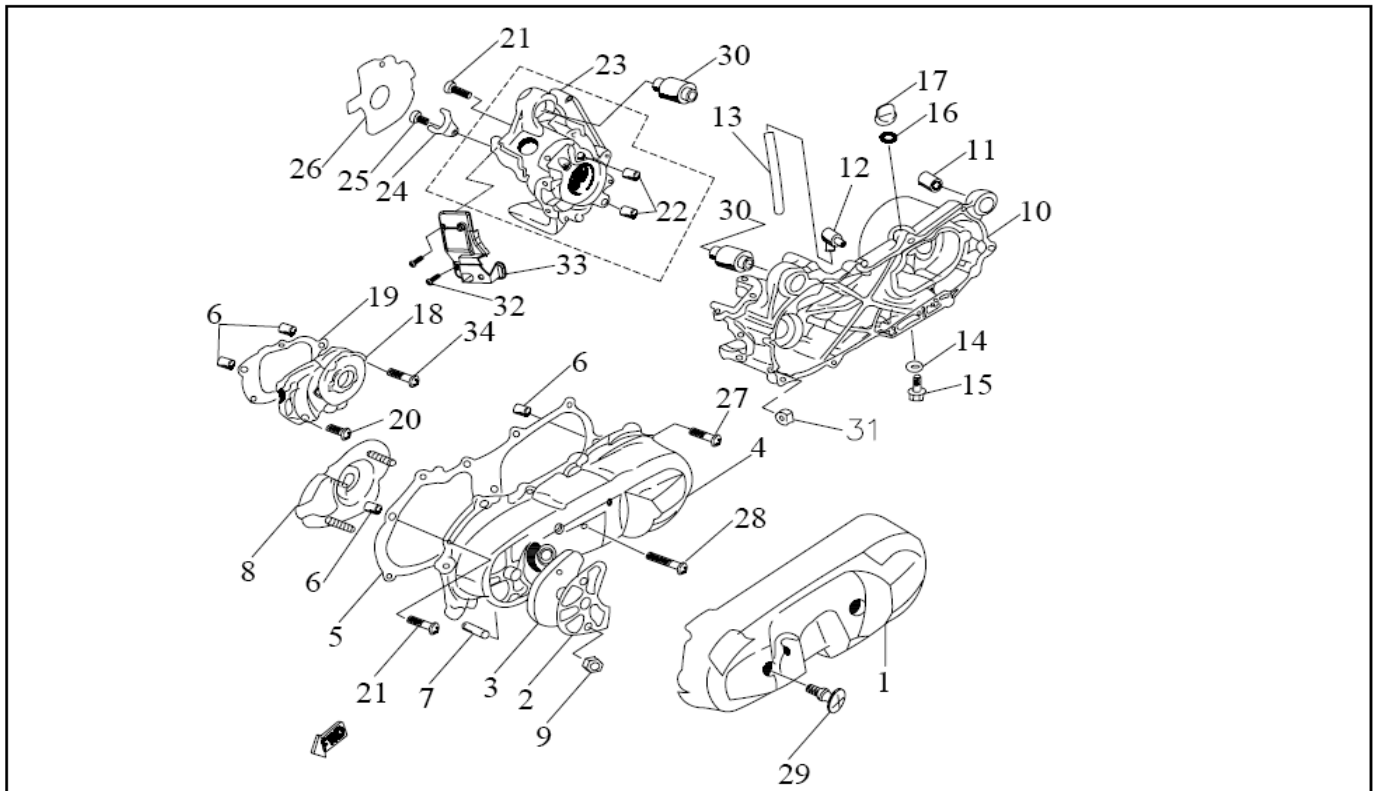
Item	Part No.	Part Name	Spec.	Q'ty
1	16100-A2DL-000	化油器總成(手動) Carburetor Ass'y (manual chock)	AMU-PWK24/118#/48#	1

E6, Crankcase



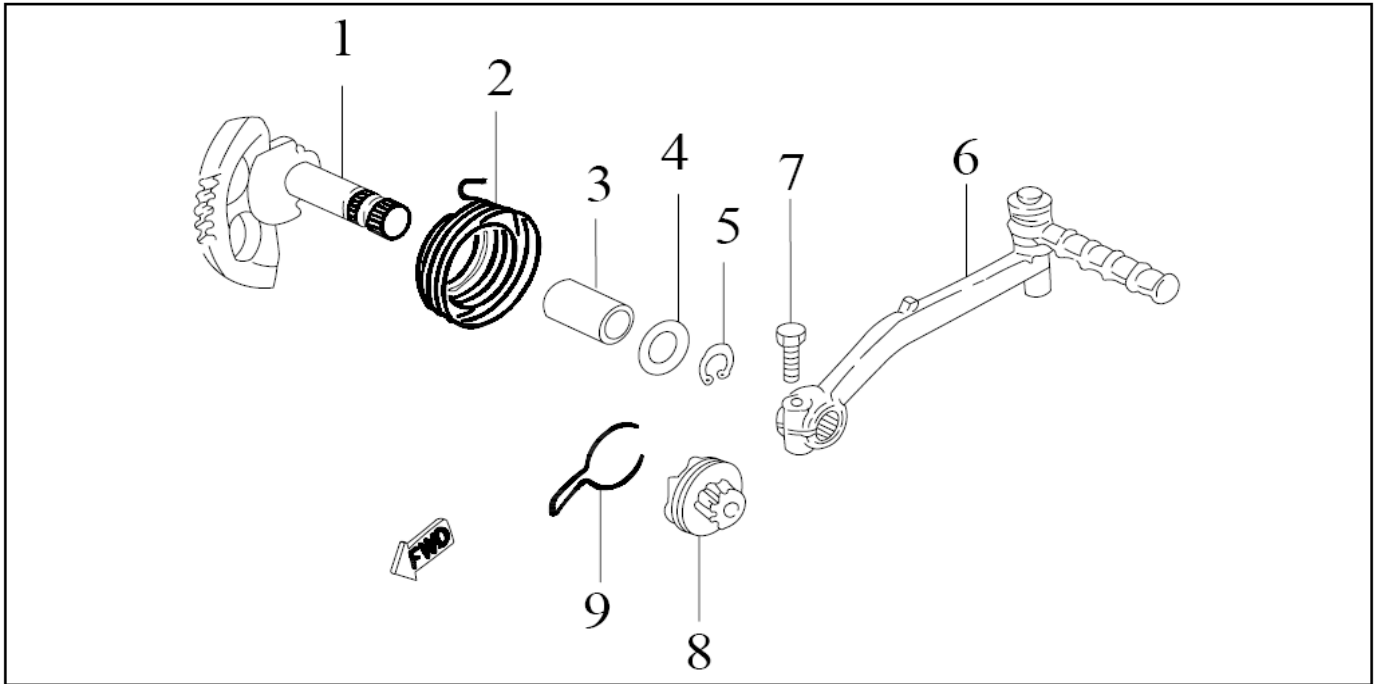
Item	Part No.	Part Name		Spec.	Q'ty
1	11341-A2C4-000	左曲軸箱外蓋	Protector, L. Crankcase Cover		1
2	11342-A2C4-000	濾清器導件	Guide, Air Filter		1
3	11343-A2C4-00A	曲軸箱濾清棉	Filter Element, L. Crankcase		1
4	11340-A2C4-000	左曲軸箱蓋	Cover, L. Crankcase		1
5	11395-A2C4-000	左曲軸箱蓋墊片	Gasket, L. Crankcase		1
6	90703-081014	定位銷	Pin, Dowel	10x14	4
7	11344-A2C4-000	惰齒輪軸	Shaft	8x31	1
8	11345-A2C4-000	濾清器固定板	Fixed Plate, Filter Element		1
9	94000-06100	六角緣面螺帽	Hex. Acorm Washer Face Nut	M6xP1.0	3
10	11200-A2C4-002	左曲軸箱	Crankcase, L.		1
11	97350-082021	後緩衝襯套	Bush	8x20x21	1
12	11210-A2C4-000	通氣管接頭	Breather		1
13	11211-A2C4-000	通氣管	Hose, Breather	5x100	1
14	90442-081515	銅墊圈	Washer, Copper	8x15x1.5	1
15	92100-08016	六角緣面螺栓	Hex. Washer Face Bolt	M8x16	1
16	91300-138024	油環	O-Ring	13.8x2.4	1

E6 Crankcase



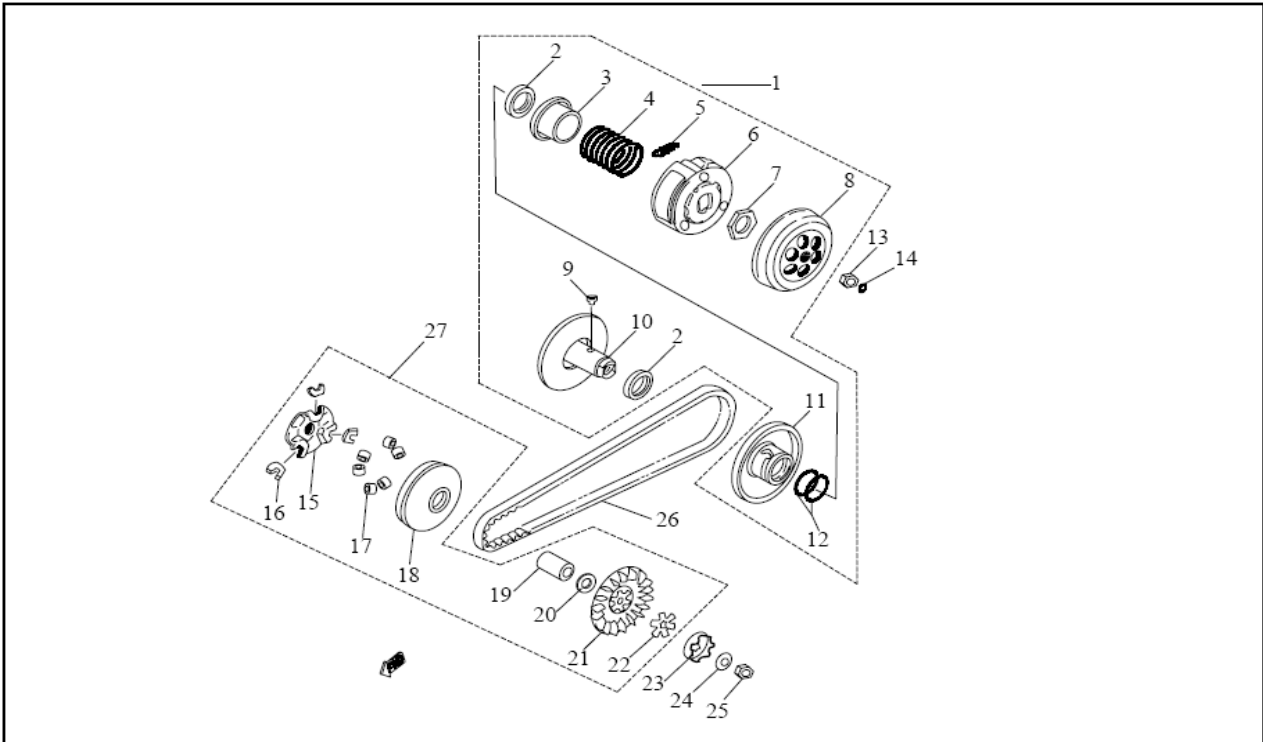
Item	Part No.	Part Name		Spec.	Q'ty
17	11212-A2C4-000	齒輪油塞	Plug, Oil		1
18	11400-A2C4-000	變速箱蓋	Cover, Transmission		1
19	11410-A2C4-000	變速箱蓋墊片	Gasket, Transmission		1
20	91000-06025-05BN	六角承窩螺栓	Hex,Socket Bolt	M6x25(耐膠)	3
21	91000-06035	六角承窩螺栓	Hex,Socket Bolt	M6x35	8
22	90703-101216	定位銷	Pin, Dowel	12x16	2
23	11100-A2C4-002	右曲軸箱	Crankcsae, R.		1
24	11110-A2C4-000	油封支座	Holder		1
25	91000-06010	六角承窩螺栓	Hex,Socket Bolt	M6x10	1
26	31121-A2C4-000	發電機墊片	Gasket, A.C.G		1
27	91000-06025	六角承窩螺栓	Hex,Socket Bolt	M6x25	8
28	91000-06065	六角承窩螺栓	Hex,Socket Bolt	M6x65	1
29	11346-A2C4-000	曲軸箱外蓋螺栓	Bolt, Special		2
30	97350-123538	引擎懸吊襯套	Bush	12x35x38	2
31	17110-A2C4-000	索環	Grommet		2
32	93700-05010	圓頭十字螺栓	Bolt, Pan Head	M5*P1.0*10	2
33	17211-A2DL-000	防塵蓋	Cover, Dust-Proof		1
34	91000-06035-05BN	六角承窩螺栓	Hex,Socket Bolt	M6x35(耐膠)	2

E-7, Starter



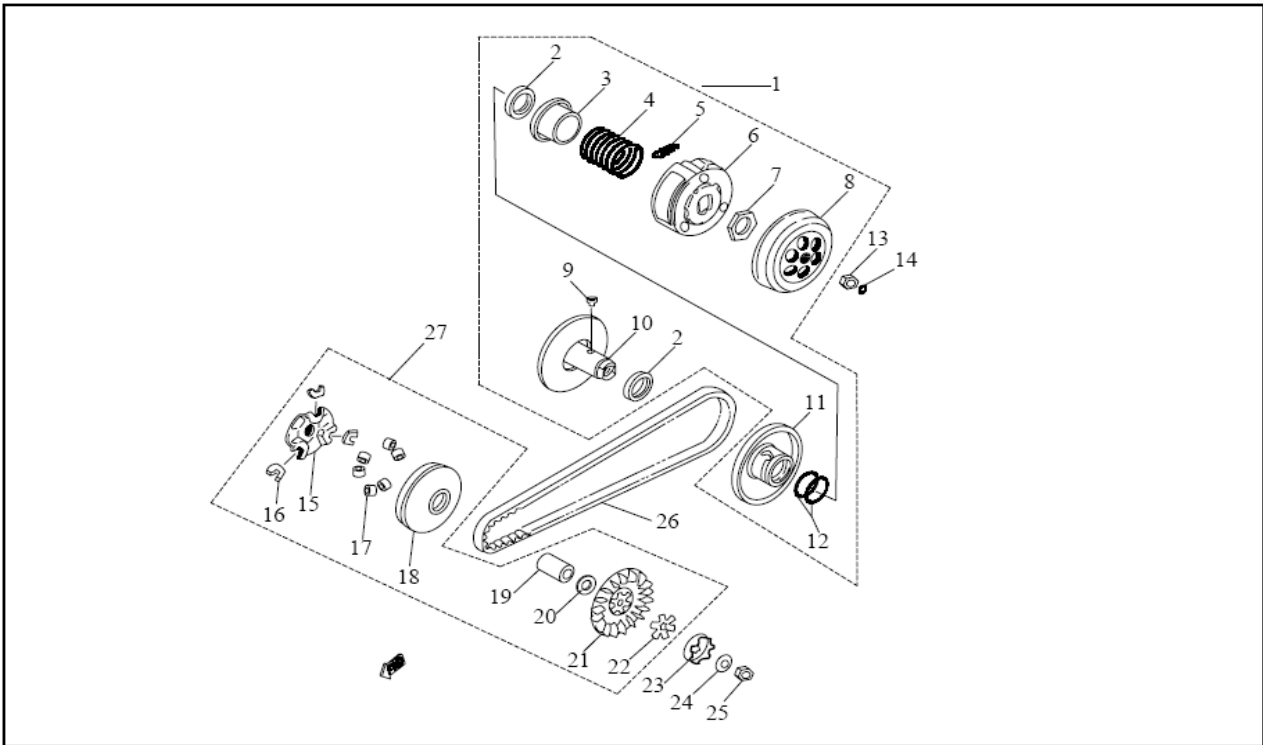
Item	Part No.	Part Name		Spec.	Q'ty
1	28211-A2C4-000	起動軸齒輪	Kick Shaft Ass'y		1
2	28261-A2C4-000	起動軸回位彈簧	Spring, Torsion		1
3	28251-A2C4-000	起動軸襯套	Bush, Kick Shaft	15x20x30	1
4	90426-152810	起動軸平面墊圈	Washer, Plate	15.2x28x1	1
5	90600-STW15	外環夾	Circlip	STW-15	1
6	28300-A2C4-000	腳起動桿組	Kick Camk Ass'y	競技型(LBD4)	1
7	92101-06022-0G	六角螺栓	Hex. Bolt	M6x25	1
8	28221-A2C4-000	腳踩小齒輪總成	Kick Pinion Ass'y		1
9	28222-A2C4-000	腳踩小齒輪簧夾	Clip, Kick Pinion		1

E8, Clutch



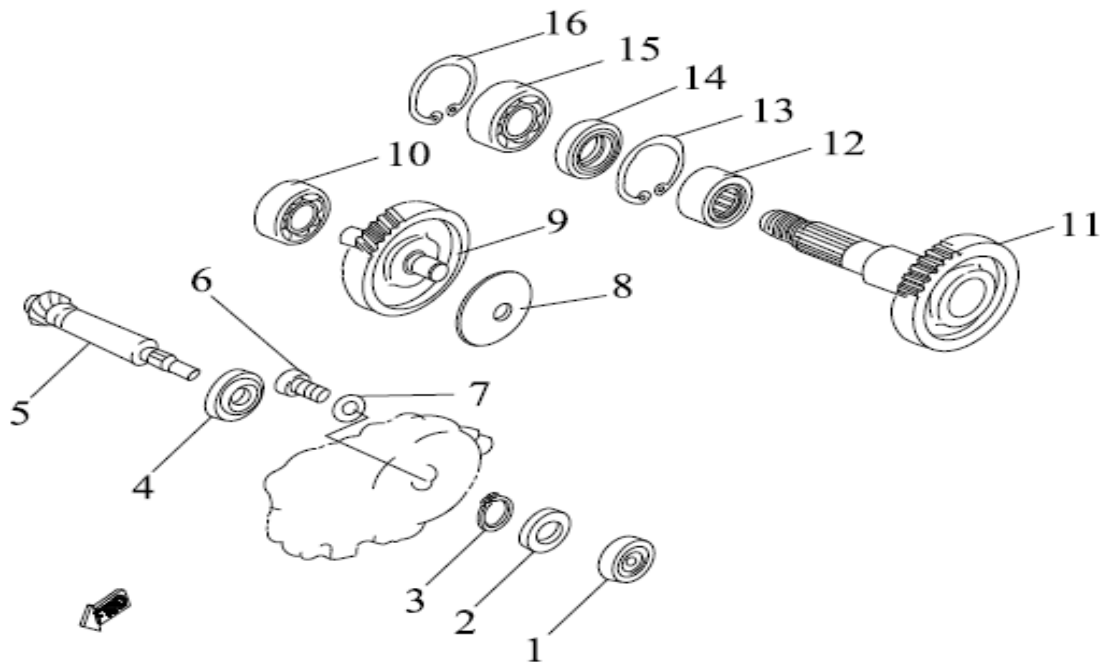
Item	Part No.	Part Name	Spec.	Q'ty	
1	22300-A2C4-00E	副槽輪總成	Secondary Sheave Ass'y	AMU	1
2	91200-33394	油封	Seal, Oil		2
3	22311-A2C4-000	副彈簧座	Seat, Secondary Spring		1
4	22312-A2C4-2000	壓力彈簧	Spring, Compression	AMU, 2000rpm	1
5	22331-JOG-2000	離合器回位彈簧	Spring, Clutch Weight	UNI/QZ/AMU, 2000rpm	3
6	22330-A2C4-00B	離合器牽轉具	Carrier Ass'y, Clutch	NAO 4號 450g	1
7	22332-A2C4-000	離合器六角螺帽	Nut, Clutch		1
8	22340-A2C4-000	離合器外套	House, Clutch		1
9	22313-A2C4-000	導梢	Bearing, Ball		2
10	22310-A2C4-000	副固定槽輪	Fix Sheave Comp., Secondary		1
11	22320-A2C4-000	副滑動槽輪	Sliding Sheave, Secondary	JOG正常	1
12	91300-360020	油環	Oil-Ring		2
13	22341-10100	離合器外套六角螺帽	Hex. Acorm Nut	M10xP1.0	1
14	91300-125030	油環	O-Ring	6.45x3.1	1
15	22411-A2C4-000	凸輪板	Plate, Cam		1
16	22412-A2C4-000	凸輪板滑鍵	Slider, Cam Plate		3
17	22413-A2C4-050	重槌滾子	Weight	AMU, 5.0g	6
18	22410-A2C4-00A	主滑動槽輪	Sliding Sheave, Primary	JOG90溝槽加深	1

E8 Clutch



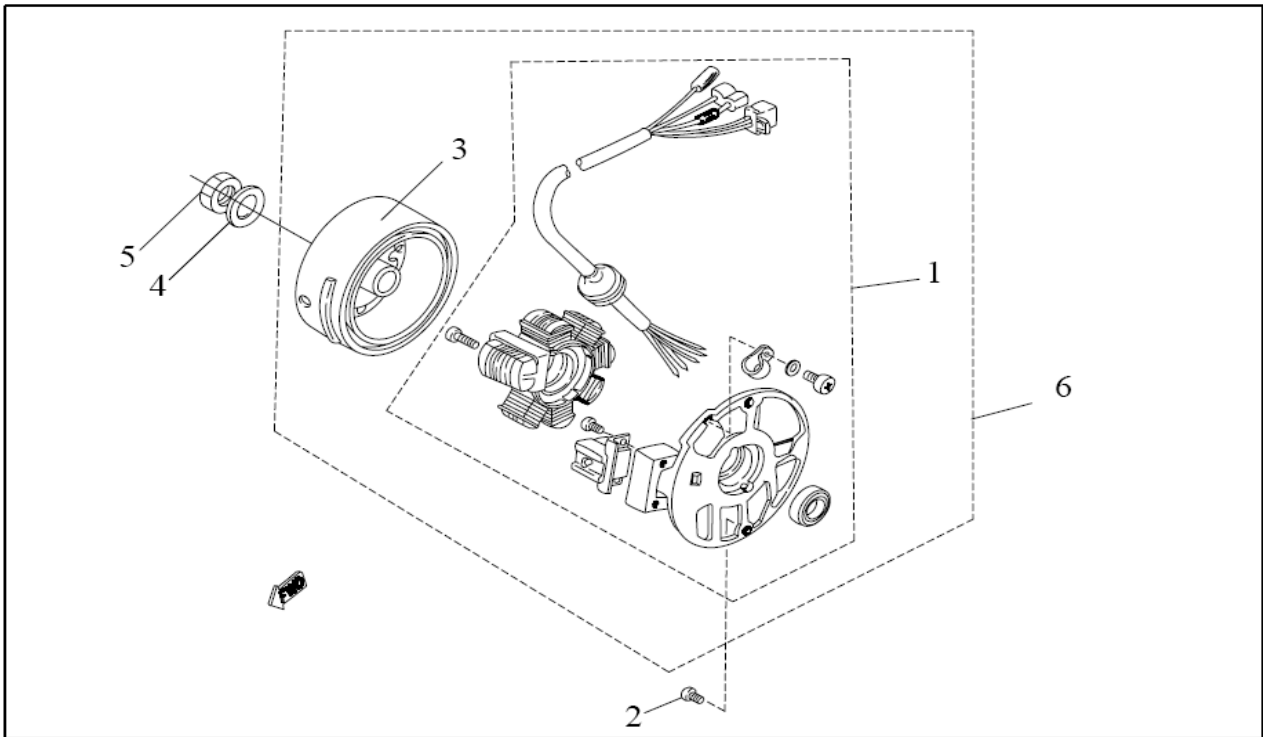
Item	Part No.	Part Name		Spec.	Q'ty
19	22414-A2C4-000	離合器軸環	Collar	16x21x37.5	1
20	22415-A2DL-000	主槽輪平面墊圈	Sliding Sheave Washer,Clam	16x21x1	1
21	22420-A2C4-000	主固定槽輪	Fixed Sheave, Primary		1
22	22421-A2C4-000	鉗墊圈	Washer, Clam		1
23	22422-A2C4-000	單向離合器	Clutch, Oneway		1
24	94111-102426	錐形彈簧墊圈	Washer, Conical Spring	10.5x24x2.6	1
25	94100-10125	六角螺帽	Hex. Acorn Nut	M10xP1.25	1
26	22500-A2C4-000	皮帶	Belt, Drive	780x16.5x30	1
27	22400-A2C4-00E	主槽輪總成	Sliding Sheave, Ass'y	QZ, JOG90(超輕) 09版	1

E-9, Transmission



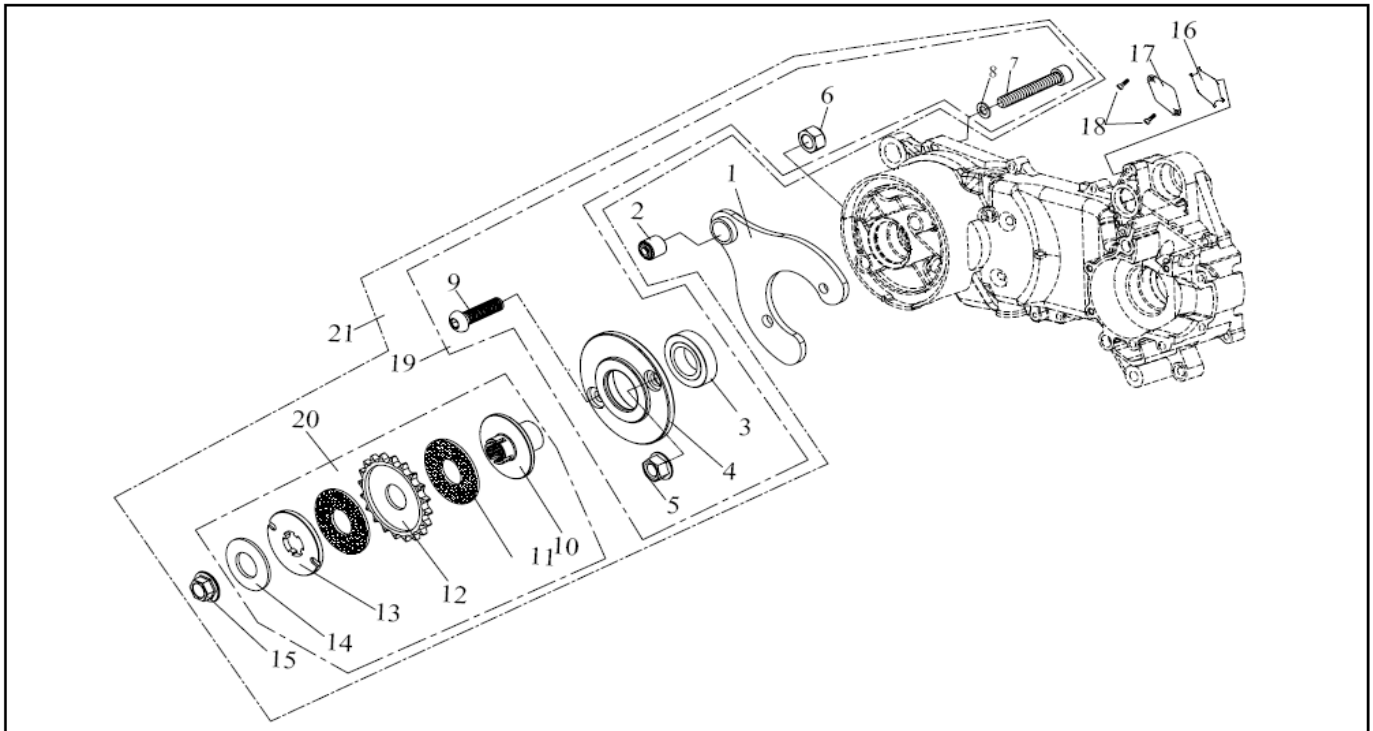
Item	Part No.	Part Name		Spec.	Q'ty
1	96210-638RD	滾珠軸承	Bearing, Ball	638RD	1
2	91200-172855	油封	Seal, Oil	17x28x5.5	1
3	90500-S17	內環夾	Circlip	S-17	1
4	96210-6003	滾珠軸承	Bearing, Ball	6003	1
5	23610-A2C4-0A0	主驅動齒輪	Drive Gear, Primary	15T	1
6	91000-06010	六角承窩螺栓	Hex, Socket Bolt	M6x10	1
7	90426-061912	平面墊圈	Washer, Plate	6.5x19x1.2	1
8	94111-126005	錐形彈簧墊圈	Washer, Conical Spring	12.3x60x0.5	1
9	23620-A2C4-0A0	主軸總成	Main Axle Comp.	11/47T	1
10	96210-6201	滾珠軸承	Bearing, Ball	6201	1
11	23630-A2C4-0A0	驅動軸總成	Gear, Driven	31T	1
12	96160-HMK2515	滾針軸承	Bearing, Needle	HMK2515	1
13	90500-IRTW32	內環夾	Circlip	IRTW-32	1
14	91200-253560	油封	Seal, Oil	25x35x6	1
15	96210-6004LU	滾珠軸承	Bearing, Ball	6004LU	1
16	90500-RTW42	內環夾	Circlip	RTW-42	1

E-10, Generator



Item	Part No.	Part Name		Spec.	Q'ty
1	31120-A2C4-00B	磁電機線圈總成	Base Ass'y, Generator	有旋轉無發電	1
2	91000-06016	六角承窩螺栓	Hex. Socket Bolt	M6xP1.0x16	2
3	31100-A2B-000	飛輪	Wheel, Fly		1
4	90426-102216	平面墊圈	Washer, Plate	10x22x1.6	1
5	94100-10125	六角螺帽	Hex. Acorn Nut	M10xP1.25	1
6	31000-A2B-00B	磁電機總成	Generator Ass'y	100CC-有旋轉無發電	1

E11, Crankcase Bracket, Gear Clutch



Item	Part No.	Part Name	Spec.	Q'ty	
1	11347-A2C4-00A	曲軸箱固定座	Bracket, Crankcase	1	
2	97350-082021	後緩衝襯套	Bush	8x20x21	1
3	96210-6028	滾珠軸承	Bearing, Ball	6028	1
4	11349-A2DL-00A	鋁外蓋	Gear Holder		1
5	94001-10A14-08	六角緣面螺帽	Nut, Hex. Acorm Washer Face	M10xP1.25	1
6	NU-12019-C	六角止鬆螺帽	Nut, Insert Lock	M12xP1.75	1
7	91000-10060-28L	六角承窩螺栓	Hex,Socket Bolt	M10x60	1
8	90442-101515	銅墊圈	Washer, Copper	10.2*15*1.5	1
9	PZB340-120450-0C	半圓頭六角承窩螺栓	Hex,Socket Bolt	M12x45	1
10	23804-A2B-002	鏈條固定器總成	Sprocket Holder	18T	1
11	23805-A2B-001	來令片-SX8100	Brake Pad		2
12	23801-A2B-00C1	鏈齒輪	Sprocket	20T	1
13	23802-A2B-000	帶動外片	Friction Plate		1
14	94106-23051-04	錐形彈簧墊圈	Spring Washer	33x50x4	1
15	94053-14-32B	調節螺帽	Nut	M14xP1.5	1
16	31210-A2DL-000	起動馬達墊片	Gasket, fixed Plate		1
17	31211-A2C4-000	防護片	Plate, Fixed		1
18	91000-06010	內六角承窩螺栓	Hex. Socket Bolt	M6x10	2
19	11349-A2DL-A00	鋁外蓋總成	Gear Holder Ass'y		1
20	A23801-A2B-000	鏈齒輪總成	Sprocket, Ass'y		1
21	A23800-A2DL-000	齒輪離合器	Gear Clutch Ass'y		1