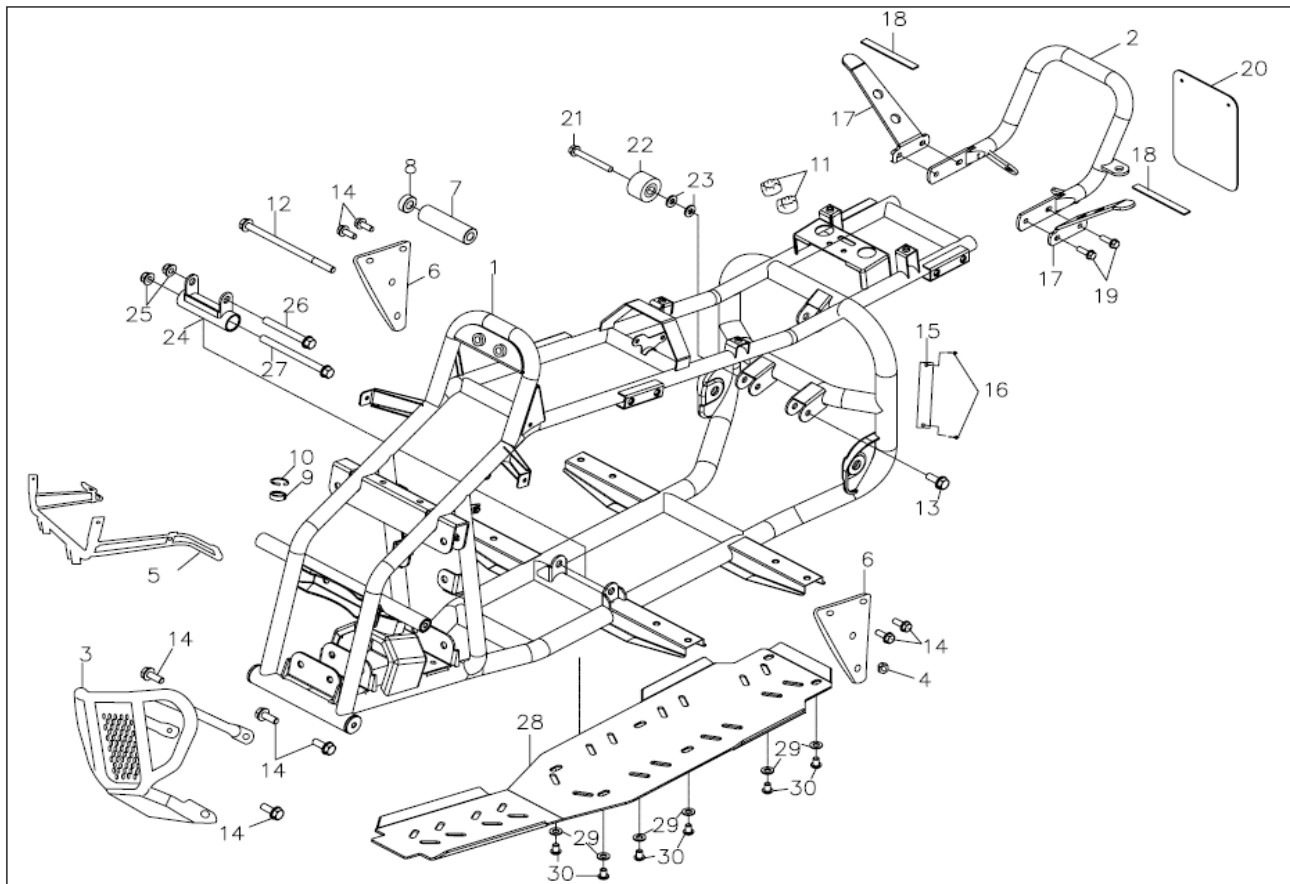


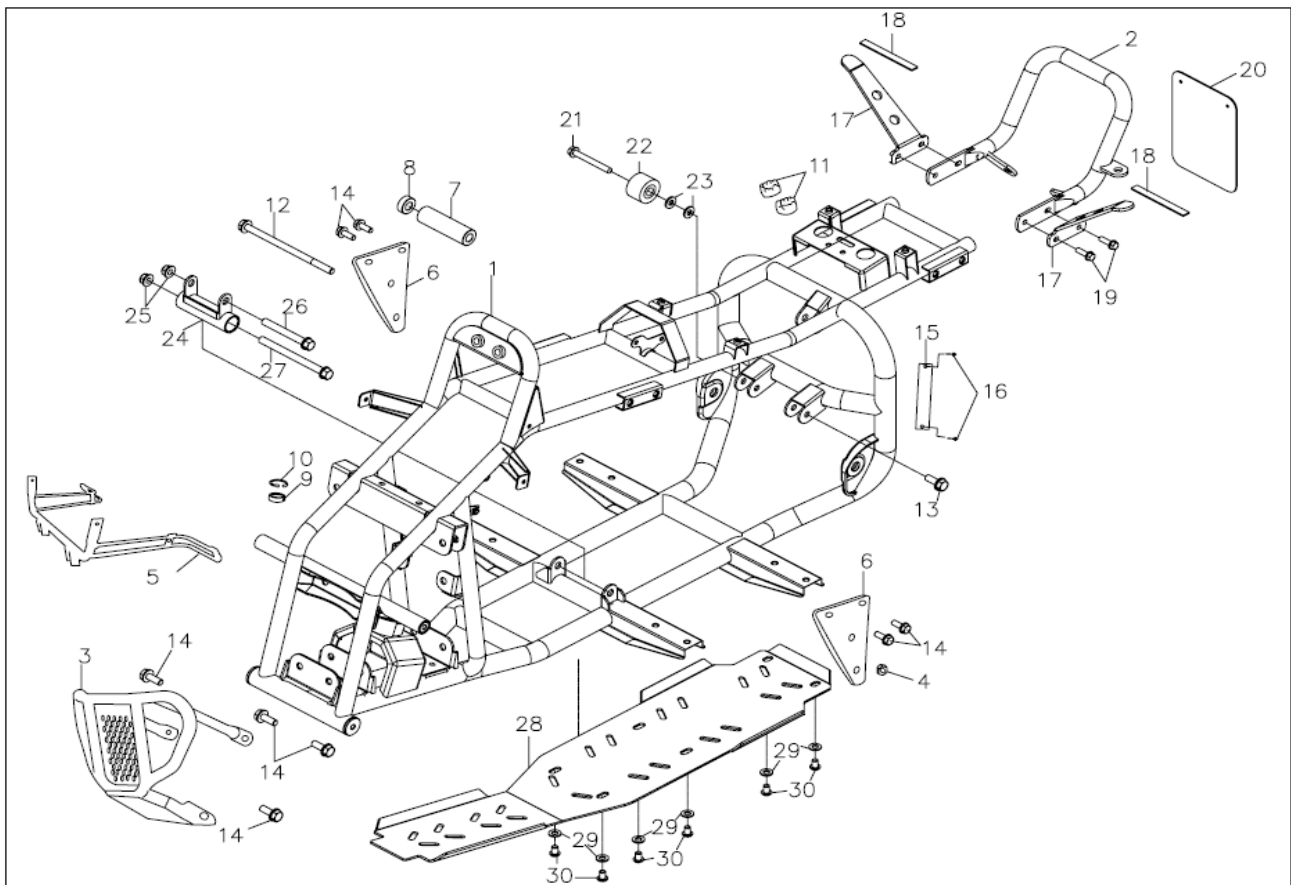


**F1, Frame Body**



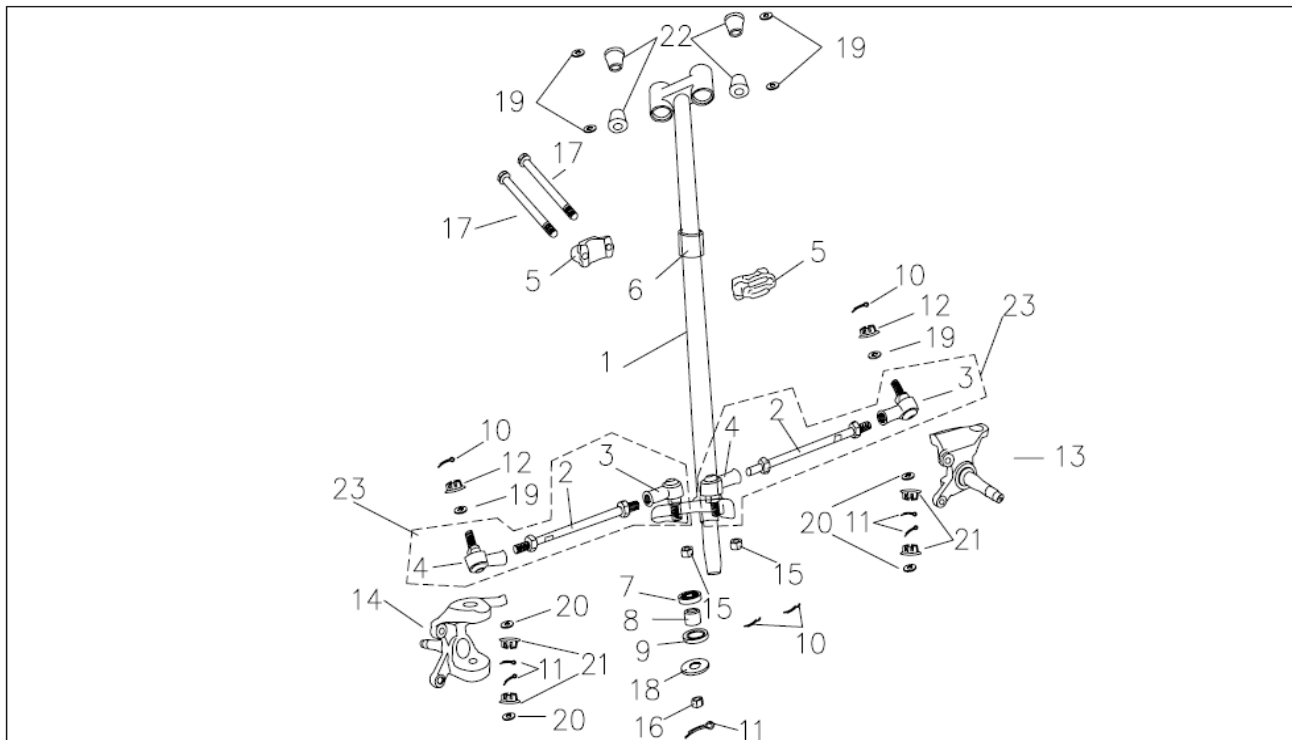
Item	Part No.	Part Name	Spec.	Q'ty
1	50100-7A1-00A	車架 Frame Body	BLACK	1
2	50400-7A1-000-SI	後扶手 Rear Carrier	AL SILVER	1
3	50200-3AR-SIE	防護桿 Bumper	AL, SILVER	1
4	90350U-12017	法蘭U型止鬆螺帽 Nut, Flange Insert Lock	M12×P1.25	1
5	50710-3AR-BKB	美式土除架 Bracket, Fender	BLACK	1
6	50110-3AR-000	引擎套座 Mounting Plate, Engine		2
7	50150-1317103	引擎間隔管-長 Spacer, Crankcase	12.5×17×103	1
8	50150-1322020	引擎間隔管-短 Spacer, Crankcase	12.5×22×20	1
9	96140-6002ZZ-A	軸承 Bearing, Ball	6002ZZ-A	1
10	94520-32000	C型扣環 Clip, Cir.	RTW-32	1
11	50524-3AR-000	緩衝墊 Rubber Absorber, Seat	13×37×23	2
12	95701-12222	六角緣面螺栓 Bolt, Hex. Flange	M12×222	1
13	95801-08038-07	六角緣面螺栓 Bolt, Hex. Flange	M8×38	1
14	95701-08012-07	六角緣面螺栓 Bolt, Hex. Flange	M8×12	4
15	19140-3AR-10E	車拉銘牌 VIN Plate	100cc	1
16	96202-0312	鋁拉釘 Nail		2

F1, Frame Body



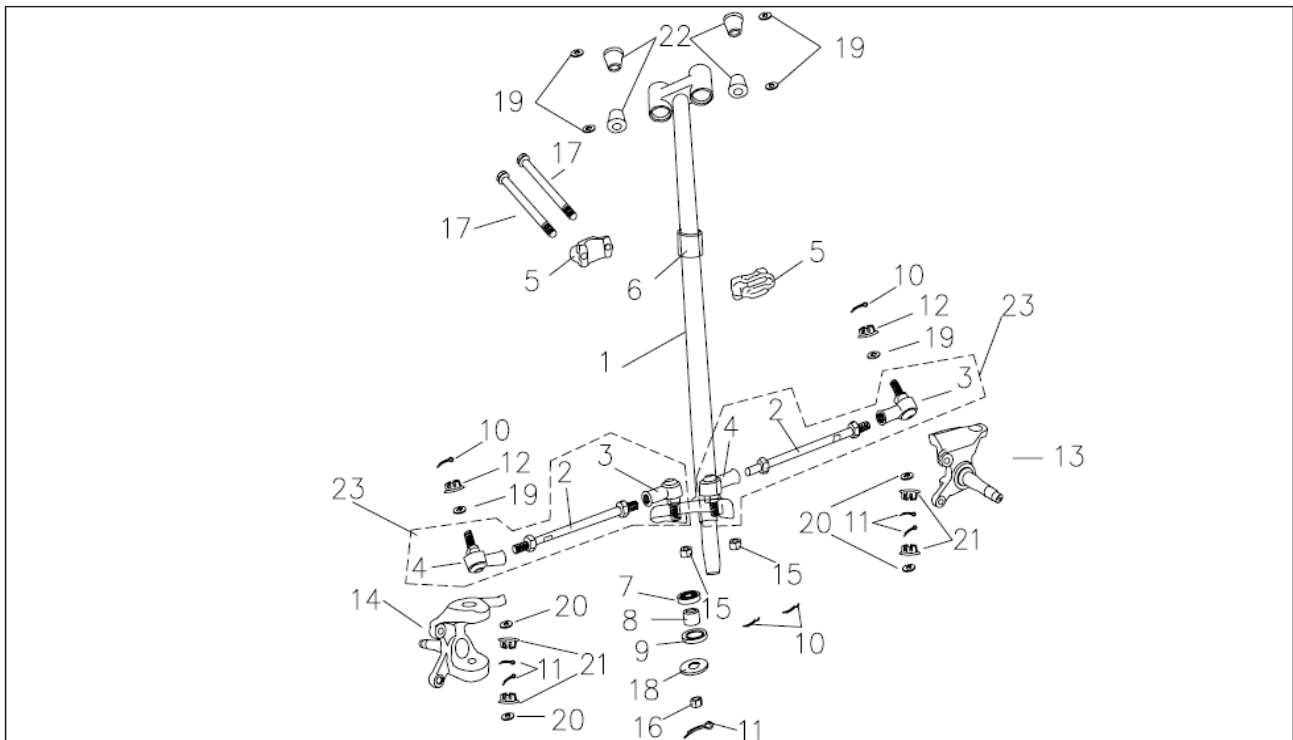
Item	Part No.	Part Name	Spec.	Q'ty
17	50500-7A1-000	尾翼托架 Bracket, Grab Bar	AL SILVER	2
18	50501-7A1-000	緩衝泡棉 Rubber, Damper	100×15×7t	2
19	95801-08020-12B	六角緣面螺栓 Bolt ,Hex. Flange	M8×20	3
(20)	64355-7A1-000-WH	車牌板 Washer, Plate (OPTION)	白色	1
21	95801-08066-97	六角緣面螺栓 Bolt ,Hex. Flange	M8*P1.25-66L	1
22	40531-3224-08	滾子總成(中)-2010版 Roller	Ø32xL24xØ8	1
23	94101-08518-23B	平面墊圈 Washer, Plate	8.5*18*2.3	2
(24)	50120-3AR-000	引擎下固定座 Bottom Mount, Engine (OPTION)		1
(25)	90350U-10014	法蘭U型止鬆螺帽 Washer, Plate (OPTION)	M10*P1.25	2
(26)	95811-10080-0G	六角緣面螺栓 Bolt ,Hex. Flange (OPTION)	M10*P1.25-80L	1
(27)	95801-10120-0G	六角緣面螺栓 Bolt ,Hex. Flange (OPTION)	M10*P1.25-120L	1
(28)	50105-7A1-000	車架下護蓋 Skid Plate, Frame (OPTION)		1
(29)	94101-0616-10B	平面墊圈 Washer, Plate (OPTION)	6.3*16*1.0	6
(30)	91001-06016-04B	半圓頭內六角螺栓 Hex,Socket Bolt (OPTION)	M6*P1.0-16L	6

F2, Steering



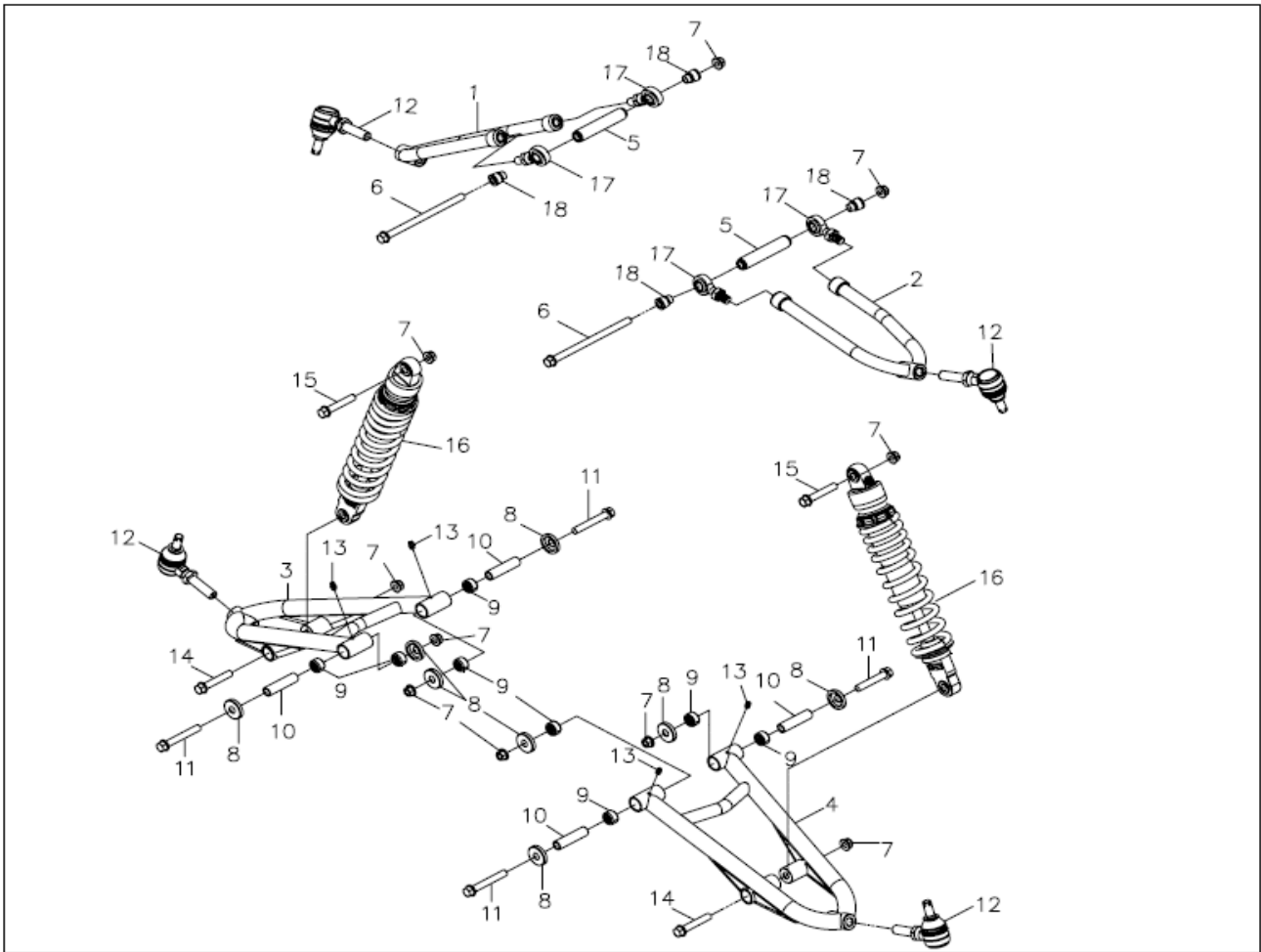
Item	Part No.	Part Name	Spec.	Q'ty
1	53200-3AR-BKB	方向柱組 Steering Shaft	BLACK	1
2	54120-7A1-000	轉向節螺栓 Tie Rod	AL 290mm	2
3	54121-3AR-000	萬向頭(右牙) R.H. Joint, Universal		2
4	54122-3AR-000	萬向頭(左牙) L.H. Joint, Universal		2
5	53330-3AR-000	軸座套 Holder, Steering Shaft		2
6	53210-3AR-000	PU襯套 PU Seal, Steering		1
7	91258-183207	油封 Seal, Oil	18×32×7	1
8	50150-1522015	內襯套 Spacer, Inner	15×22×15	1
9	91258-223507	油封 Seal, Oil	22×35×7	1
10	94201-25275	開口銷 Cotter Pin	2.5×27.5	4
11	94201-32320	開口銷 Cotter Pin	3.2×32.0	5
12	90351-10080-18	堡型螺帽 Nut, Castle	M10×P1.25	2
13	54150-3AR-00B	轉向軸R鋁合金 R. Knuckle	Disc Brake	1
14	54250-3AR-00B	轉向軸L鋁合金 L. Knuckle	Disc Brake	1
15	90350U-10014	法蘭U型止鬆螺帽 Nut, Flange Insert Lock	M10×P1.25	2
16	90350U-14000	法蘭U型止鬆螺帽 Nut, Flange Insert Lock	M14×P1.5	1
17	95801-08066-97	六角緣面螺栓 Bolt ,Hex. Flange	M8×66	2
18	94101-1440020K	平面墊圈 Washer, Plate	14×40×2.0	1
19	94101-102210-10	平面墊圈 Washer, Plate	10*22*1.0	2
20	94101-1225020	平面墊圈 Washer, Plate	M12*25*2	4
21	90351-12000K	堡型螺帽 Nut, Castle	M12*1.25	4

F2, Steering



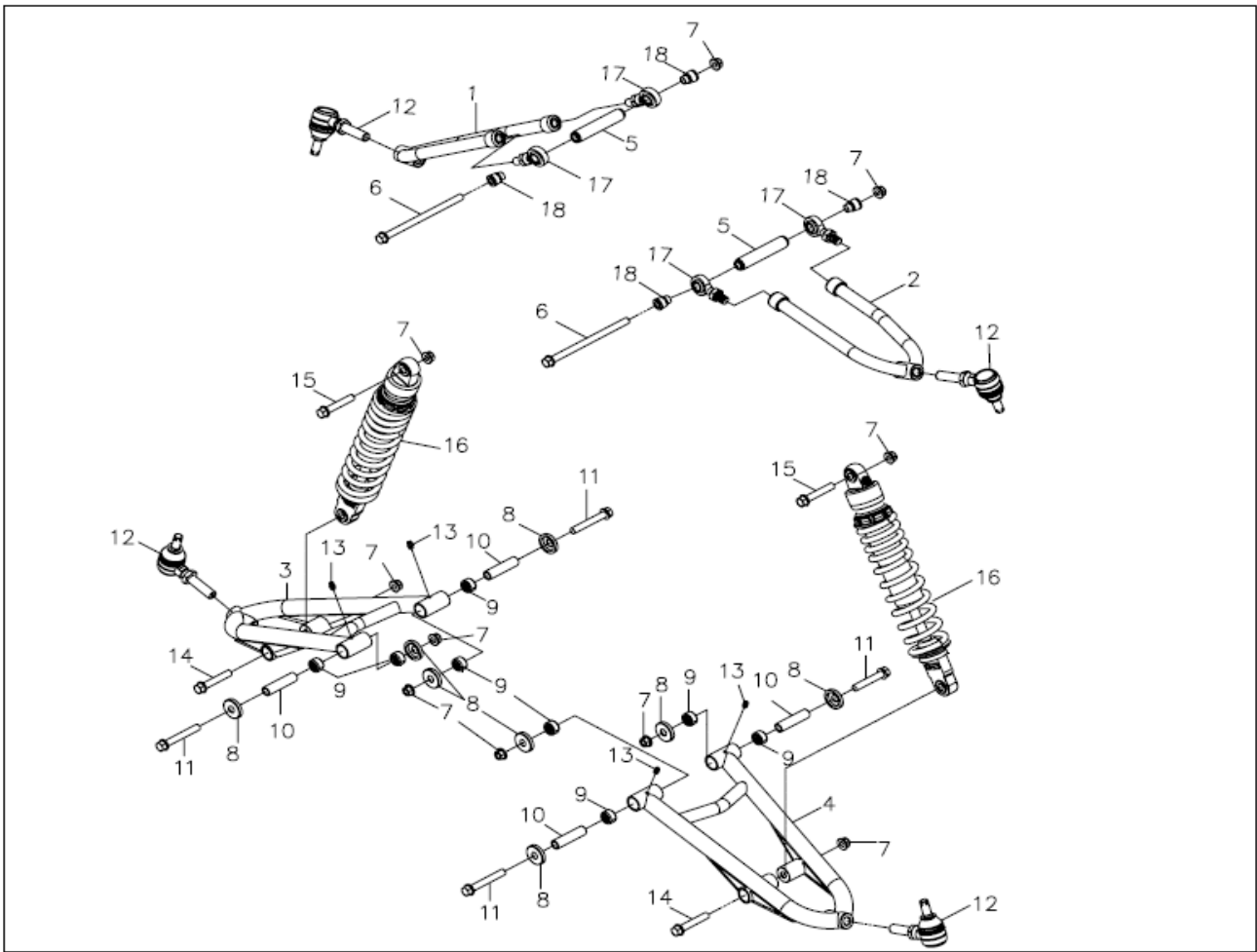
Item	Part No.	Part Name	Spec.	Q'ty
22	53333-AMCO-000	減震橡膠 Rubber Absorber		4
23	54110-7A1-29A	轉向節螺栓總成 Tie Rod Ass'y		2

**F3, Suspension Arm**



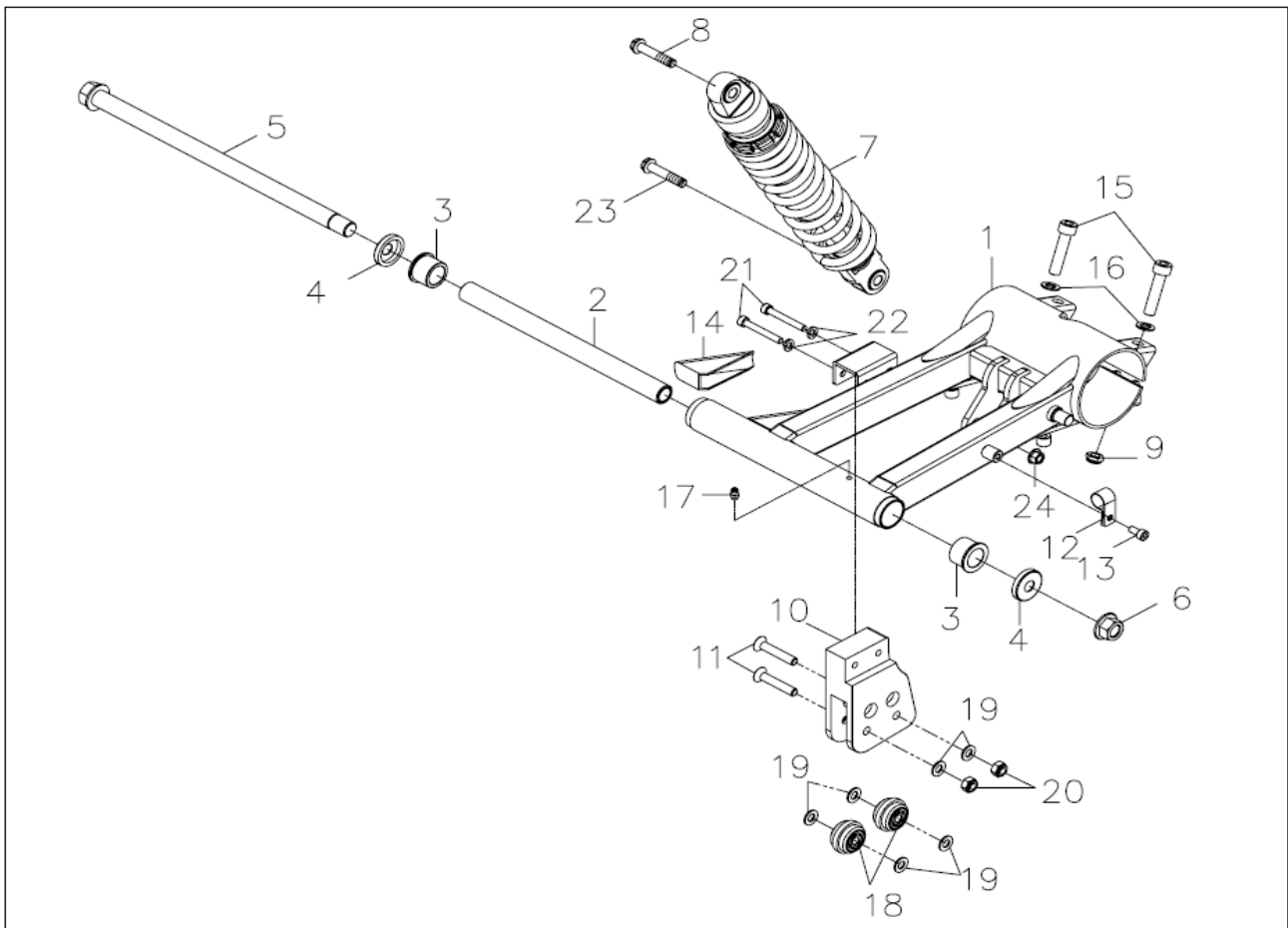
Item	Part No.	Part Name	Spec.	Q'ty
1	54300-7A1-001-BK	上右A臂-2011版 Upper R. Arm, Suspension	BLACK	1
2	54400-7A1-001-BK	上左A臂-2011版 Upper L. Arrn, Suspension	BLACK	1
3	54500-7A1-00A-BK	下右A臂-2010版 Bottom R. Arm, Suspension	BLACK	1
4	54600-7A1-00A-BK	下左A臂-2010版 Bottom L. Arrn, Suspension	BLACK	1
5	54330-10019-96AL	上A臂間隔管 Spacer A, Suspension Arm	10.2×19×96	2
6	95801-10162-14G	六角緣面螺栓 Bolt ,Hex. Flange	M10×162L	2
7	90350U-10014	法蘭U型止鬆螺帽 Nut, Flange Insert Lock	M10×P1.25	10
8	52310-OS-3495	凸緣蓋 Seal, Dustproof		8
9	96160-HK1512	滾針軸承-201011版 Bearing, Needle	HK-1512-21	8
10	54340-7A1-00A	下A臂間隔管-2010版 Spacer B, Suspension Arm	10.2×15×53.5	4
11	95911-10075-OG	六角緣面螺栓 Bolt ,Hex. Flange	M10×75	4
12	54360-3AR-000	萬向頭 Joint, Ball		4
13	96201-10000-18	黃油嘴 Nipple		4
14	91000-10065	六角承窩鏢栓 Bolt ,Hex. Flange	M10×65	2
15	95801-10042-97K	六角緣面螺栓 Bolt, Hex. Flange	M10x42	2
16	51400-7A1-00C	前避震器 Shock Absorber, Front	370mm, 250 lb	2
<b>(16)</b>	<b>51400-7A1-00B</b>	<b>前避震器</b> <b>Shock Absorber, Front (OPTION)</b>	370mm, W extra tank (option)	<b>2</b>

**F3, Suspension Arm**



Item	Part No.	Part Name	Spec.	Q'ty
17	54365-8B2-A00	魚眼萬向頭組-201011版 Bearing, Spherical	1/2"-20UNF	4
18	54335-7MA-000	魚眼間隔管 Spacer C, Suspension Arm		4

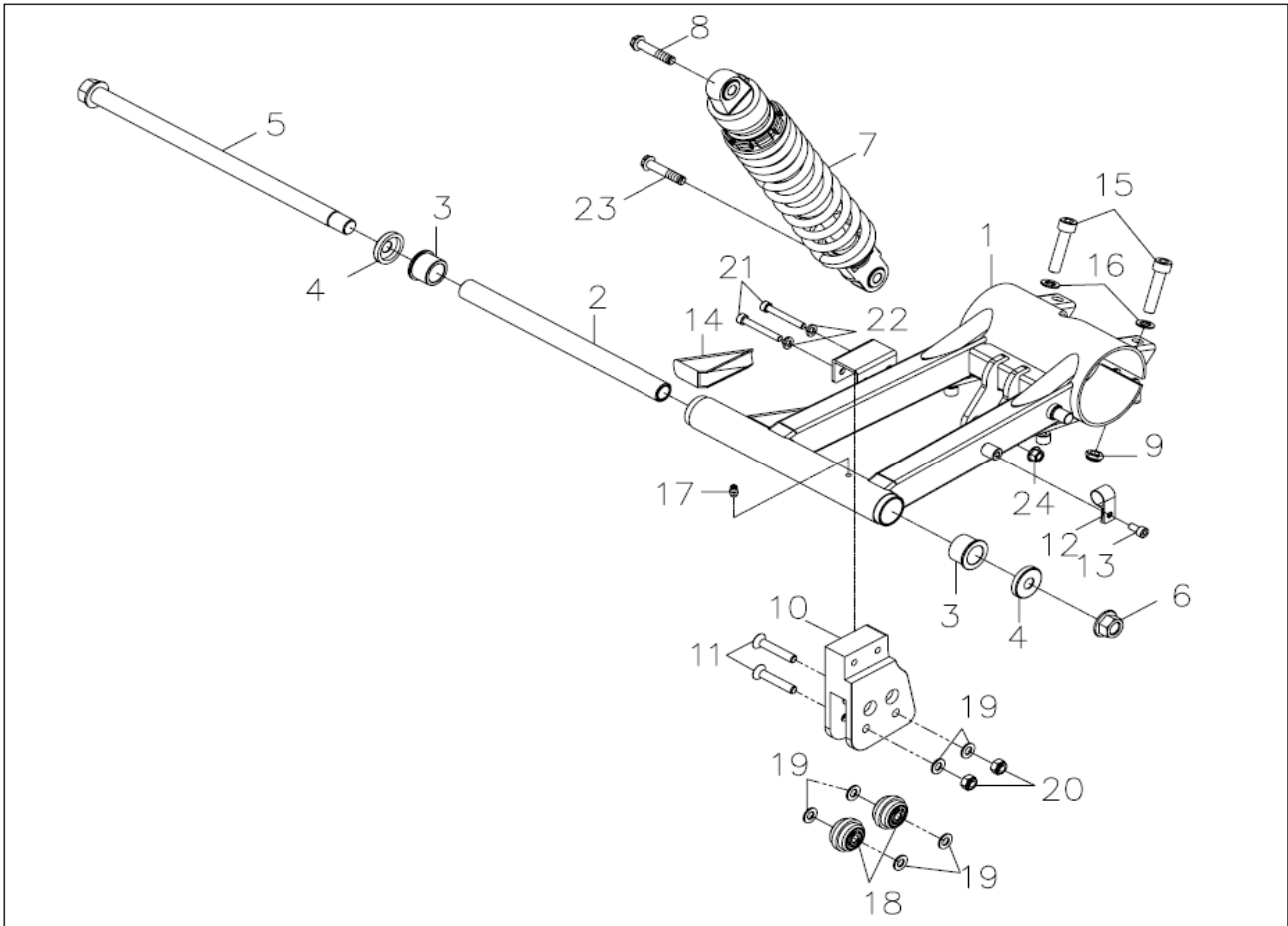
F4, Swing Arm



Item	Part No.	Part Name		Spec.	Q'ty
1	52200-7A1-002-BK	后叉-2010版	Arm, Swing	BLACK	1
2	52210-3AR-000	后叉軸套	Spacer, Swing Arm	14.1×20×253	1
3	52220-3AR-000	后叉壓套	Bush, Swing Arm	20.1×27.6×20	2
4	52310-OS-8234	防塵蓋(IOS 8234)	Seal, Dustproof	14x38.5x30.8	2
5	95802-14290	六角緣面螺栓	Bolt ,Hex. Flange	M14×290	1
6	90350U-14000	法蘭U型止鬆螺帽	Nut, Flange Insert Lock	M14xP1.5	1
7	52400-7A1-00C	後避震器	Shock Absorber, Rear	370mm, 300 lb	1
<b>(7)</b>	<b>52400-7A1-00E</b>	<b>後避震器</b>	<b>Shock Absorber, Rear (OPTION)</b>	<b>370mm, W extra tank (option)</b>	<b>1</b>
8	95801-10035-9GL	六角緣面螺栓	Bolt, Hex. Flange	M10x35	1
9	90350U-10014-10	法蘭U型止鬆螺帽(白鋅)	Nut, Flange Insert Lock	M10×P1.25	2
10	40520-7A1-001	導鏈座-2011版	Guide, Chain		1
11	91733-08050-06B	平頭六角承窩螺栓-2010版	Bolt, Hex. Socket	M8xP1.25x50L	2
12	47211-7A1-000	軟管固定夾	Clamp, Hose		1
13	91000-06010-07	內六角承窩螺絲	Bolt, Hex. Socket	M6x10L	1
14	52320-3AR-000	橡膠套(改良型)	Rubber Sleeve	31.7×38×65	1
15	91000-10080-08B	內六角承窩螺絲	Bolt, Hex. Socket	M10x1.25x80L	2
16	94101-10022-20B	平面墊圈	Washer, Plate	10x22x2.0	2
17	96201-10000-18	黃油嘴	Nipple		1

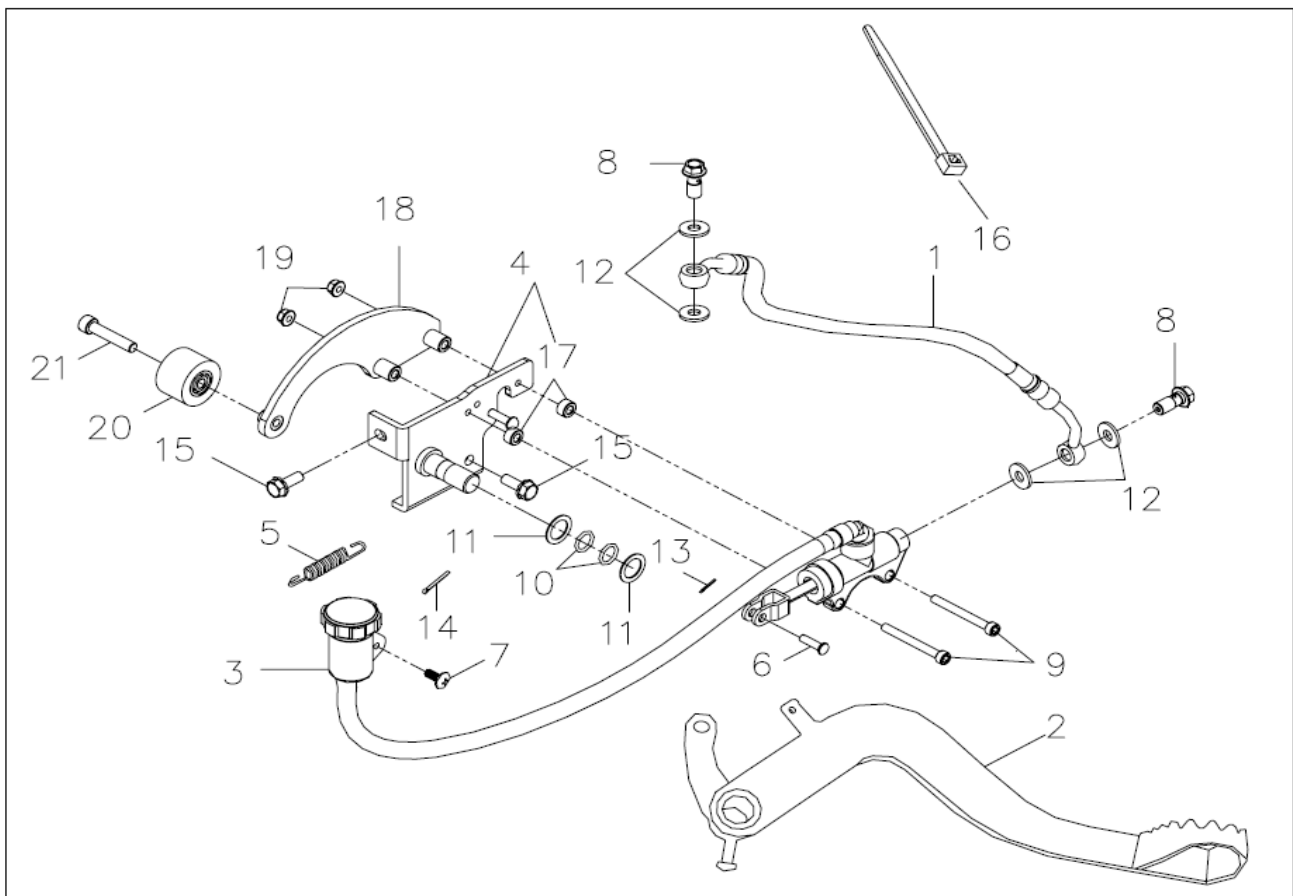


**F4, Swing Arm**



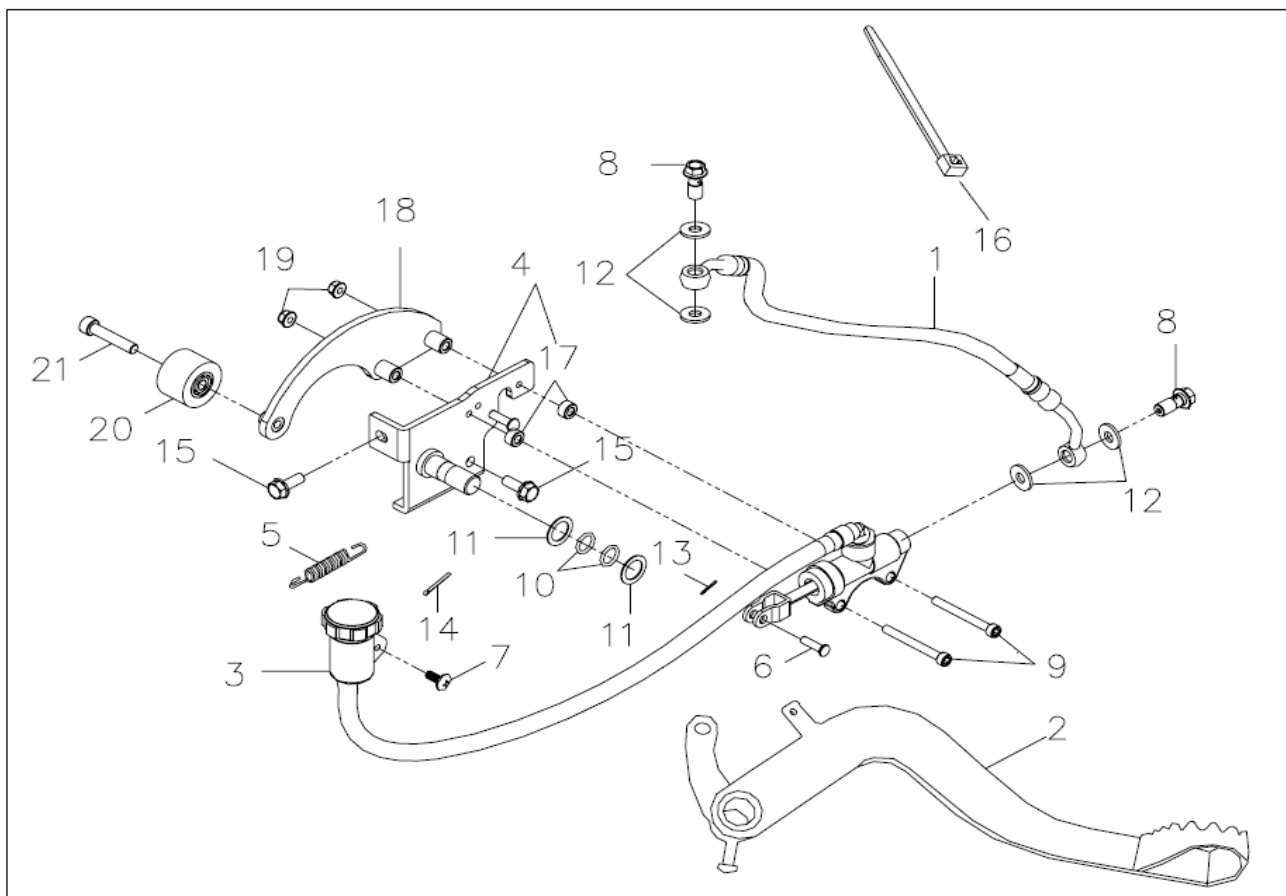
Item	Part No.	Part Name	Spec.	Q'ty
18	40531-3420-08	滾子總成(小)-2010版 Roller Ass'y, Chain	Ø34xL20xØ8	2
19	94101-08016-15B	平面墊圈-2010版 Washer, Plate	8.5x16x1.5	6
20	NN-08013-B	六角耐落螺帽-2010版 Nut, Hex Lock	M8x1.25P	2
21	91000-06045-05B	內六角承窩螺栓-2010版 Bolt, Hex. Socket	M6xP1.0x45L	1
22	SW-06515B	彈簧墊圈-2010版 Spring Washer	6.5x1.5	2
23	96000-10048	六角緣面螺栓(墨綠) Bolt, Hex. Flange	M10xP1.25x48L	1
24	90350U-10014	法蘭U型止鬆螺帽(墨綠) Nut, Flange Insert Lock	M10xP1.25	1

F5, Pedal, Rear Disc Brake



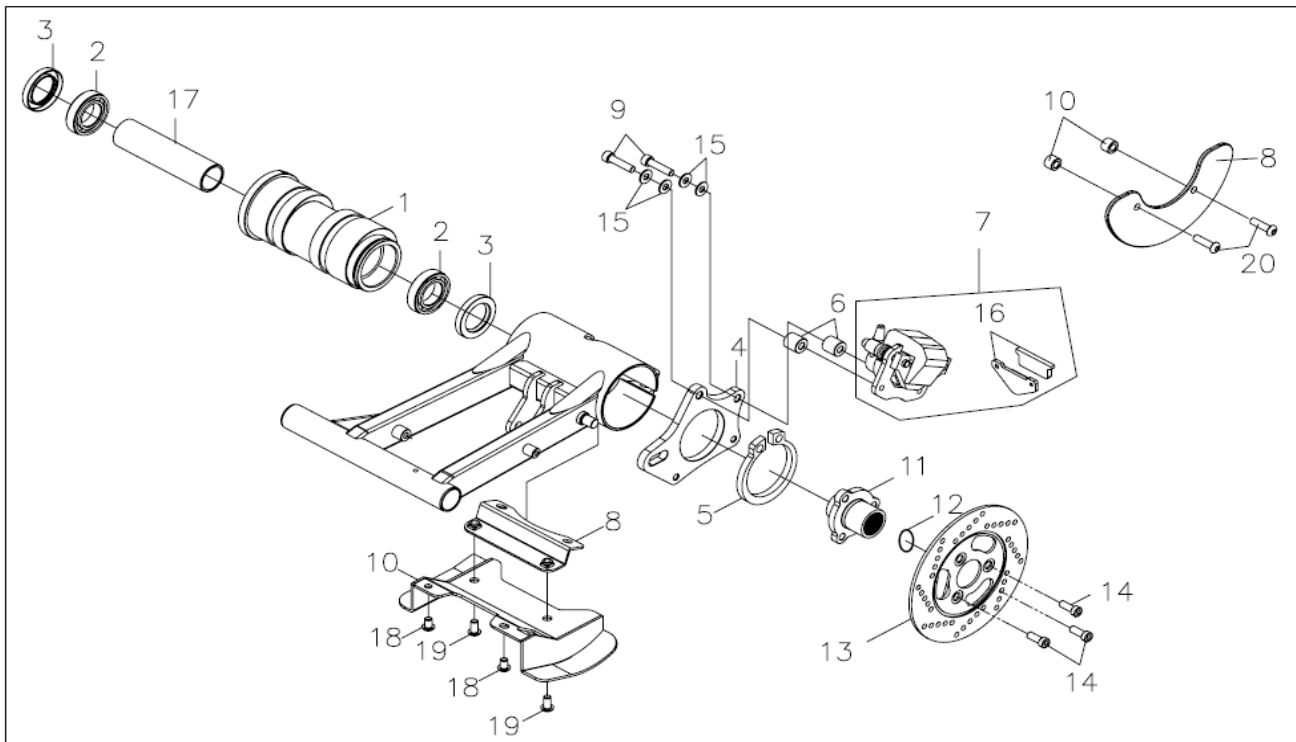
Item	Part No.	Part Name	Spec.	Q'ty	
1	45127-7MA-000	腳剎車油管	Hose, Foot Brake	760 , Stainless	1
2	45530-3AR-BKA	腳剎車踏板	Pedal, Brake	BLACK	1
3	45520-3AR-00A	後剎車總泵	Master Cylinder Ass'y, Foot Brake	Pedal Brake	1
4	45540-3AR-BKA	連動器主板	Bracket, Foot Brake	BLACK	1
5	45542-3AR-000	腳剎車回位彈簧	Spring, Foot Brake	1.3*9*70	1
6	74001-07020-00	煞車推桿銷	Pin, Foot brake Master Cylinder	7x20	1
7	90005-06012-17	十字大平頭螺栓	Bolt, Flate	M6*12	1
8	90145-MS9-6110-M	剎車油管螺栓	Bolt, Brake Hose	M10*22	2
9	91000-06055-05B	六角承窩螺栓	Bolt, Hex. Socket	M6*55	2
10	91300-016020	油環	Ring, Oil	16x20x2	2
11	94101-162410-K8	平面墊圈	Washer, Plate	16x24x1	2
12	94104-10140-CU	銅墊圈	Washes, Copper	10.2*14*1.0	4
13	94201-01827	開口銷	Cotter Pin	1.8x2.7	1
14	94201-32320	開口銷	Cotter Pin	3.2*32.0	1
15	95701-08012-07	六角緣面螺栓	Bolt ,Hex. Flange	M8*12	2
16	89020-3AR-200	束帶200M黑	Strap	ALT-200MM	2
17	50150-0715-06C	連動器間隔管	Bracket, Foot Brake spacer	7x15x6	2
18	40500-7A1-00A	調整器承座-2010版	Stay, Chain Roller		1
19	90350-06U-10B	法蘭U型止鬆螺帽-2010版	Nut, Flange Insert Lock	M6*P1.0	2

**F5, Pedal, Rear Disc Brake**



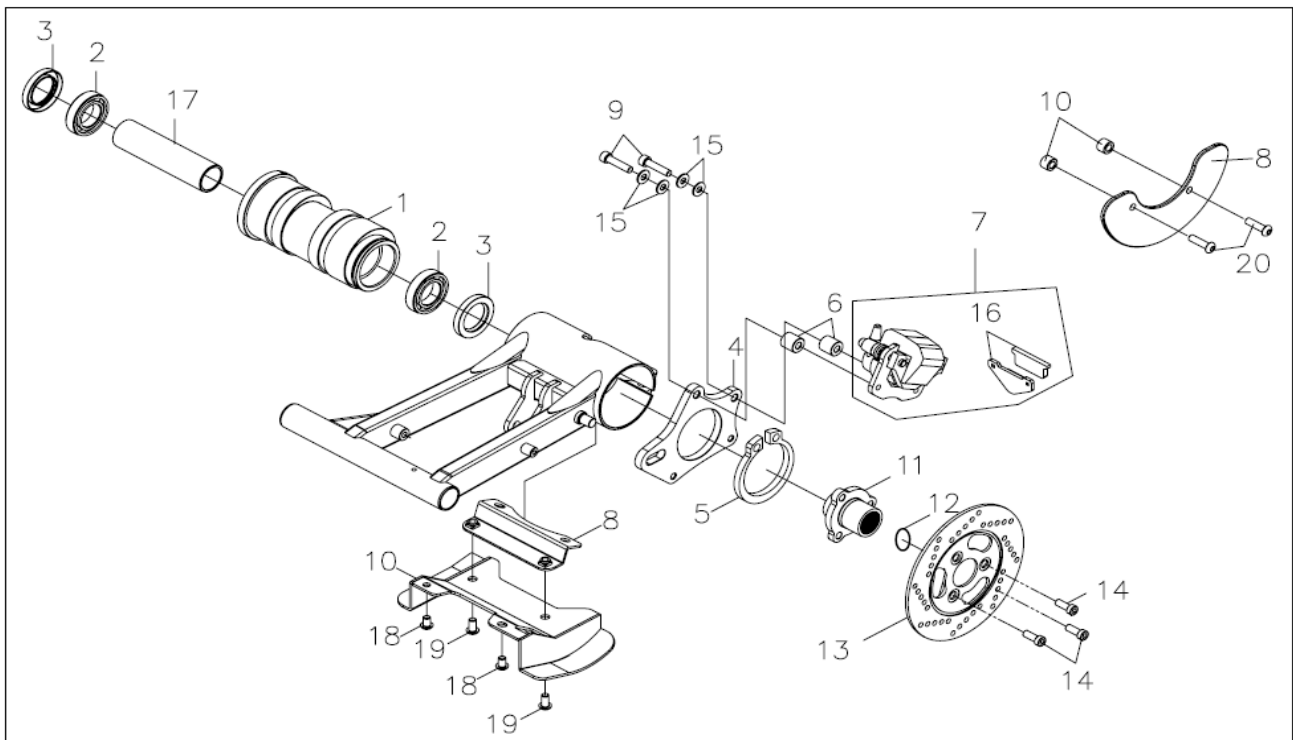
Item	Part No.	Part Name	Spec.	Q'ty
20	40531-4129-08	滾子總成(大)-2010版 Roller, Chain	Ø38xL25xØ8	1
21	91000-08040-06BN	內六角承窩螺栓-耐落-2010版 Bolt, Hex. Socket	M8xP1.25x40L	1

**F6, Bearing Housing, R. Disc Brake**



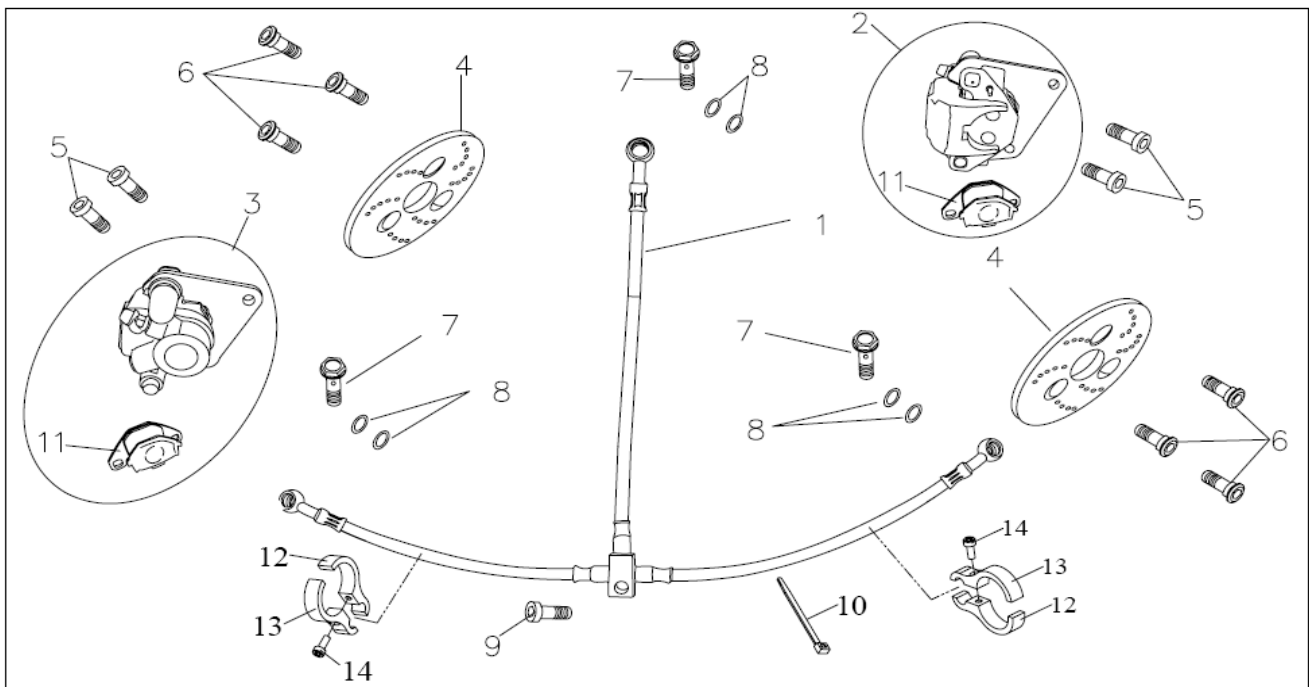
Item	Part No.	Part Name	Spec.	Q'ty	
1	42636-7A1-000	後輪軸固定座	Housing, Rear Axle Bearing	1	
2	96140-6006ZZ	滾珠軸承	Bearing, Ball	6006ZZ	2
3	91258-355508	油封	Seal, Oil	35×55×8	2
4	45290-7A1-00A	卡鉗座-2010版	Bracket, Caliper		1
5	94510-STW-68	C型扣環	Clip, Cir.	STW-68	1
6	50150-0819-16B	間隔管(後剎車卡鉗)	spacer, Caliper Ass'y	8*19*15L	2
7	45250-7A1-A00-RE	後剎車卡鉗總成	Caliper Ass'y, Rear Brake		1
8	45122-7A1-00A~01	碟盤護蓋本體	Protector, Brake Disc	BLACK	1
(8)	<b>52206-7A1-000</b>	<b>下護蓋承座</b>	<b>Stay, Swing Arm Skid Plate (OPTION)</b>	<b>MX2009-A</b>	<b>1</b>
9	91000-08035-06G	六角承窩螺絲(耐落)	Bolt, Hex. Socket	M8×35	2
10	50150-0816-12B	間隔管-總泵	Spacer R, Master Cylinder	8.5x16x1.5	2
(10)	<b>52205-7A1-000</b>	<b>後又下護蓋</b>	<b>Skid Plate, Swing Arm (OPTION)</b>		<b>1</b>
11	42625-3AR-000	後剎車碟固定座	Bracket, Rear Brake Disc	P62×38	1
12	42340-3AR-000	後輪軸定位環	Ring, Axle		1
13	45121-3AR-000	後剎車碟片	Disc, Rear Brake	180×38×62	1
14	91000-10014-97K	六角承窩螺絲	Bolt, Hex. Socket	M10×14	3
15	90426-081816	平面墊圈	Washer, Plate	8.2*18*1.6	4
16	47235-3AR-000	剎車片組	Pad Kit, Rear Disc Brake		1
17	50150-3136-136B	中間軸套	Spacer	31*36*136	1
(18)	<b>91001-08012-05B</b>	<b>半圓頭內六角螺絲</b>	<b>Hex,Socket Bolt (OPTION)</b>	<b>M8*P1.25-12L</b>	<b>2</b>

**F6, Bearing Housing, R. Disc Brake**



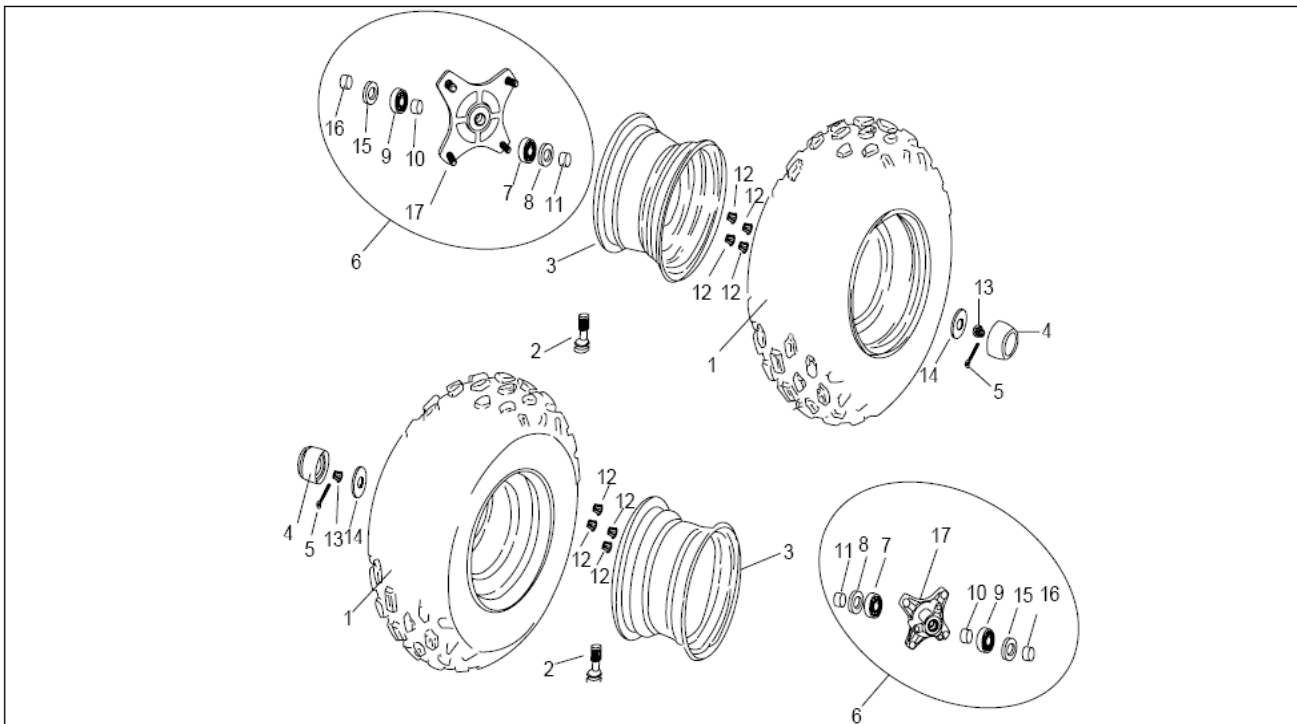
Item	Part No.	Part Name	Spec.	Q'ty
(19)	91001-08016-05B	半圓頭內六角螺栓 Hex,Socket Bolt (OPTION)	M8*P1.25-16L	2
20	91001-08030-05B	六角承窩鏢栓(耐落) Bolt, Hex. Socket	M8xP1.25-30L	2

**F7, Drum Brake, Front**



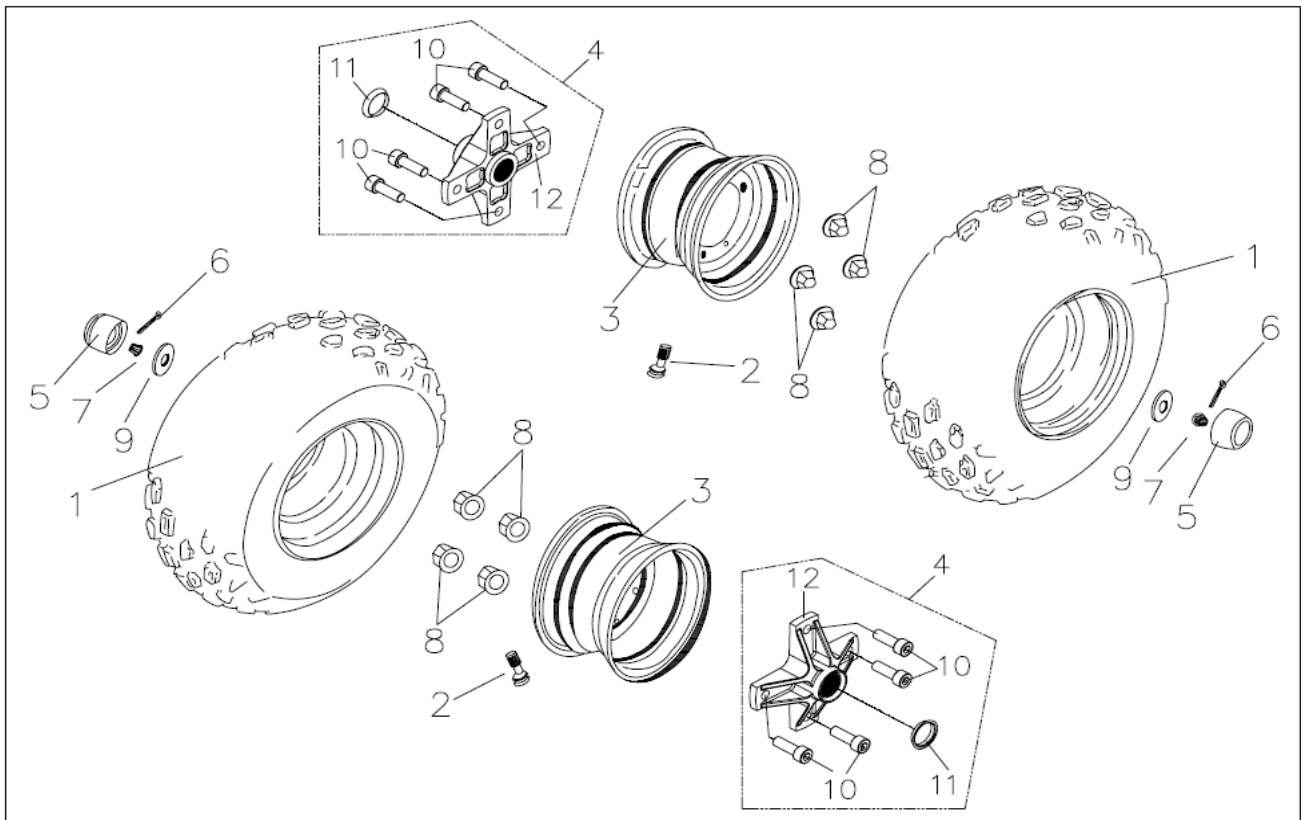
Item	Part No.	Part Name	Spec.	Q'ty	
1	47220-7A1-000	前煞車油管	Hose, Front Brake	D-Arm, Disc Brake	1
2	47230-3AR-A0A	前右卡鉗	Caliper Ass'y, Front R.		1
3	47240-3AR-A0A	前左卡鉗	Caliper Ass'y, Front L.		1
4	47210-3AR-000	煞車碟盤	Disc, Front Brake	170*58	2
5	91000-08020-2G	六角承窩螺栓	Bolt, Hex. Socket	M8*20	4
6	90105-08018-97L	碟盤螺栓	Bolt, Brake Disc	M8*18	6
7	90145-MS9-6110-M	剎車油管螺栓	Bolt, Brake Hose	M10*22	3
8	94104-10140-CU	銅墊圈	Washer, Copper	10.2*14*1.0	6
9	91000-08025-2G	六角承窩螺栓	Bolt, Hex. Socket	M8*25	1
10	89020-3AR-200	束帶200M黑	Strap	ALT-200MM	3
11	47235-3AR-000	前剎車片組	Pad Kit, Rear Disc Front		2
12	TMG-910-090i-2	管束-2	Clamp-2,Cable	有螺紋	2
13	TMG-910-090i-1	管束-1	Clamp-1,Cable		2
14	91000-04010-03B	六角承窩螺栓	Bolt, Hex. Socket	M4*P10L	2

**F8, Wheel & Tires, Front**



Item	Part No.	Part Name		Spec.	Q'ty
1	44710-196010-M957	輪胎前輪	Tyre, Front (Maxxis)	M957 (19x6.0-10)	2
2	44711-TR-412	風嘴	Valve, Tyre	TR-412	2
3	44700-SL-1050-3020-4145	前鋁圈	AL Wheel, std. lip	10x5.0, 4/145, 3+2	2
4	44720-PK-6142	護套	Center Cap, Wheel		2
5	94201-32320	開口銷	Cotter Pin	3.2×32.0	2
6	47121-7A1-000	前碟煞固定座總成	Hub Ass'., Front Wheel		2
7	96140-6004	滾珠軸承	Bearing, Ball	6004	2
8	91258-284207	油封	Seal, Oil	28*42*7	2
9	96140-6202	滾珠軸承	Bearing, Ball	6202	2
10	50150-2116030	內襯套	Spacer, Inner	21*16*30	2
11	50150-1520010	外套軸	Spacer, Outer	15*20*10	2
12	90350U-10014-10	法蘭U型止鬆螺帽	Nut, Flange Insert Lock	M10×P1.25	8
13	90351-14000K	開槽止鬆螺帽	Nut	M14×P1.50	2
14	94101-1440050	平面墊圈	Washer, Plate	14.3×40×5.0	2
15	91258-203507	油封	Seal, Oil	20*35*7	2
16	50150-2128007	外套軸	Sapcer	21*28*7	2
17	47121-3AR-000	前碟煞固定座	Hub. Front Wheel	145mm	2

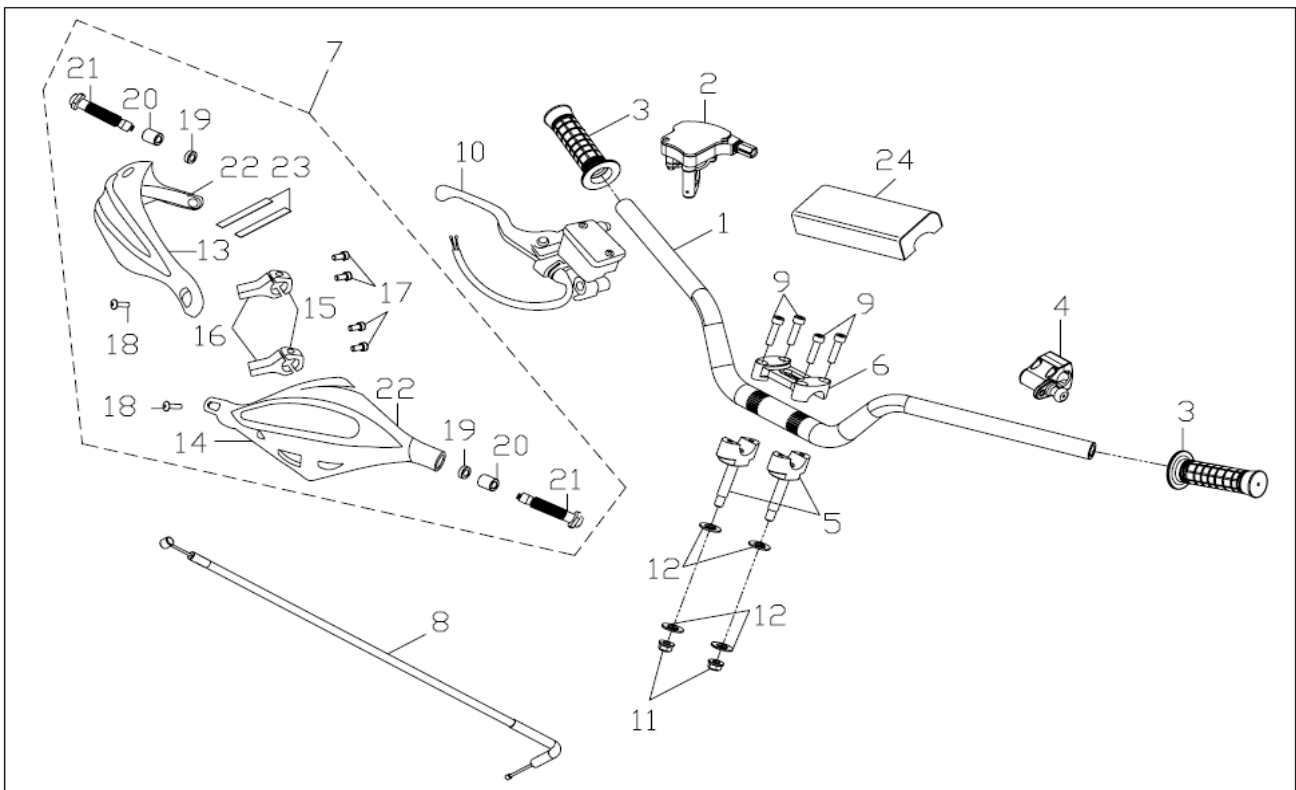
**F9, Wheel & Tire, Rear**



Item	Part No.	Part Name	Spec.	Q'ty
1	44710-186508-M958	輪胎後輪 Tyre, Rear (Maxxis)	M958 (18x6.5-8)	2
2	44711-TR-412	風嘴 Valve, Rim	TR-412	2
3	44700-SL-0850-2030-4110	後鋁圈 AL Wheel, std. lip	8x5.0, 4/110, 2+3	2
4	A42350-7A1-00B-01	後軸連接器總成 Hub. Ass'y, Rear Wheel	AL, Forging	2
5	44720-PK-6142	護套 Center Cap, Wheel	PK-6142	2
6	94201-32320	開口銷 Cotter Pin	3.2x32.0	2
7	90351-14022-10	開槽止鬆螺帽 Nut	M14xP1.5	2
8	90350U-10014-10	法蘭U型止鬆螺帽 Nut, Flange Insert Lock	M10xP1.25	8
9	94101-1440050	平面墊圈 Washer, Plate	14.3x40x5.0	2
10	91000-10030-08B	六角承窩螺栓 Bolt, Hex. Socket	M10*P1.25	8
11	94101-2632-05	錐型墊圈 Washer, Taper	25.5x32.4x5	2
12	42350-7A1-00B~01	後軸連接器 Hub. , Rear Wheel		2

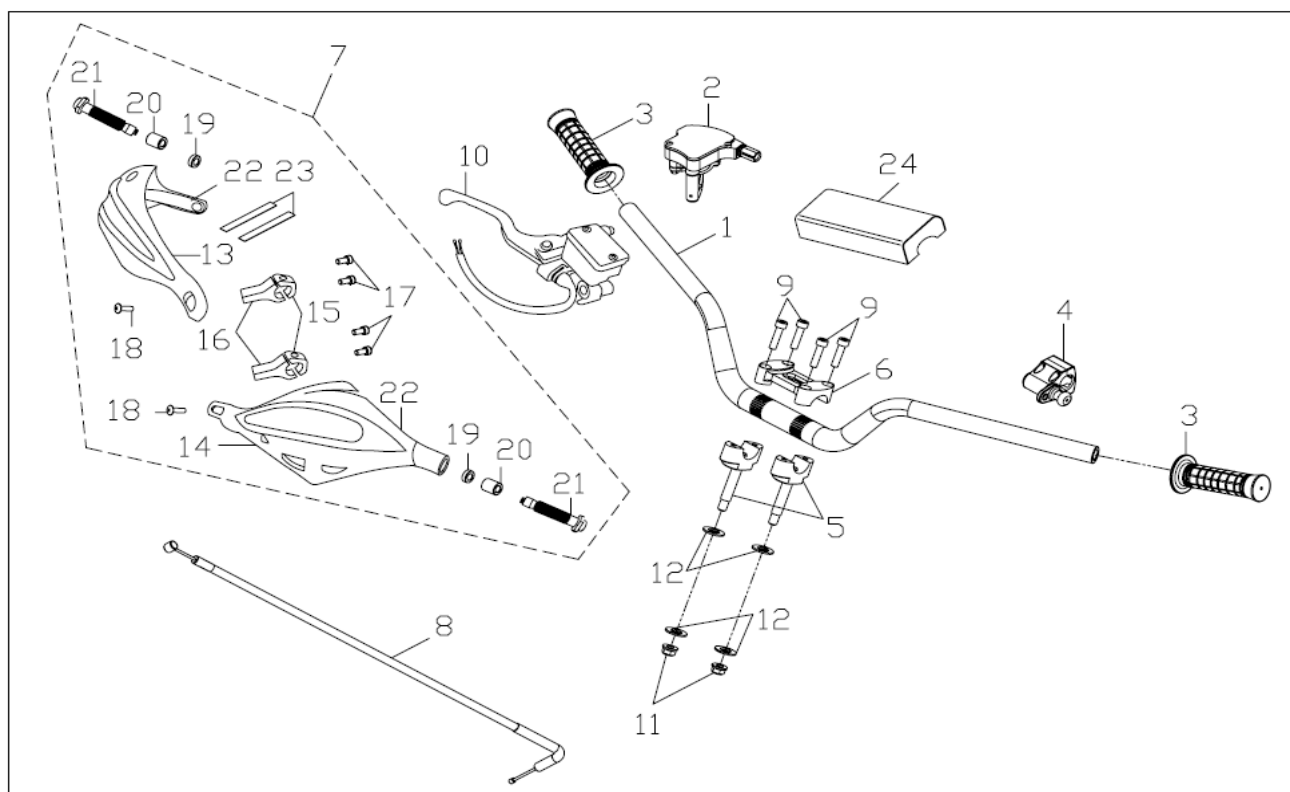


**F10, Handlebar**



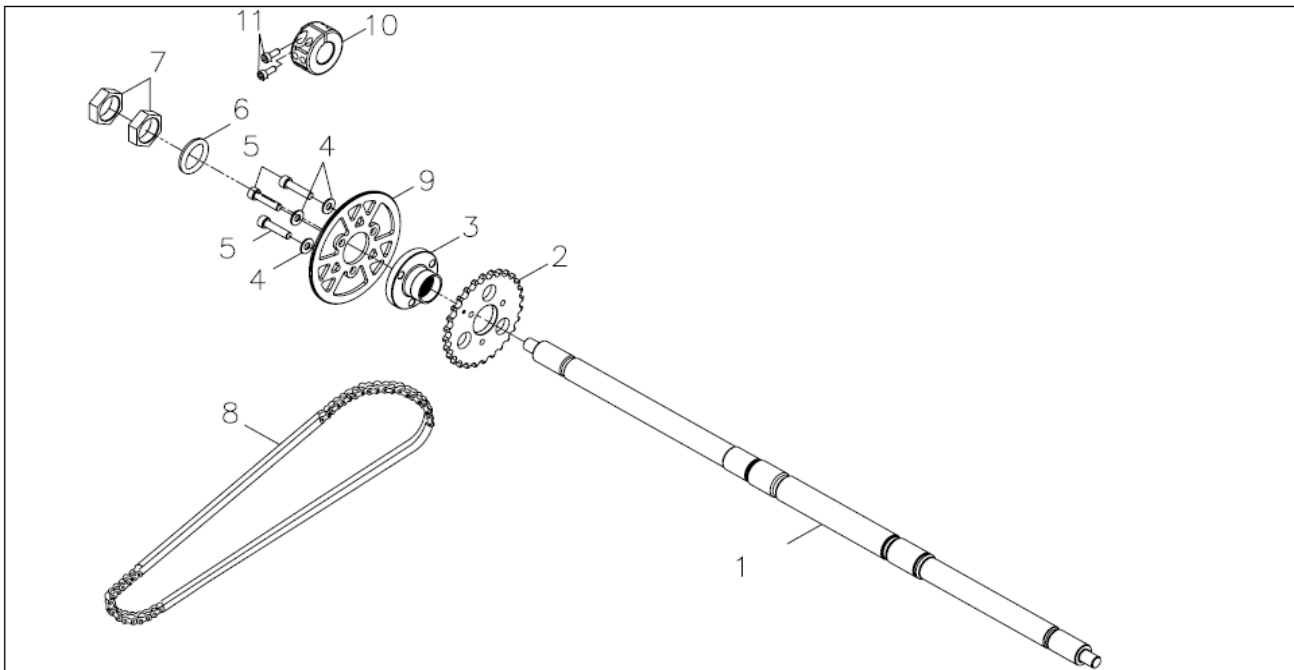
Item	Part No.	Part Name	Spec.	Q'ty	
1	53100-7A1-000	鋁手把(DB管)-2010版	Handlebar, AL	28.6mm	1
(2)	56160-TMG-A00	油門操作總成	Thumb Assy'y (OPTION)	Billet CNC	1
2	56160-3AR-00A	油門操作總成	Thumb Assy'y	OEM	1
3	53110-7A1-000	手把套	Grip, Handlebar	HY-603	2
4	17517-AMCO-000	安全開關	Kill, Switch		1
5	53332-T-118	手把下固定座總成-2010版	Bottom Holdar, Handlebar	1-1/8", 39mm	2
6	53320-T-118B	手把固定上座-2010版	Up Holdar, Handlebar	AL 1-1/8"-66L	1
7	53150-7MA-A00	護弓總成	Hand Guard Ass'y (OPTION)	TB管用(大孔)	1
8	17910-7A1-00B	油門線	Cable, Throttle		1
9	HSC-08030-S	六角承窩螺栓	Bolt, Hex. Socket	M8×30	4
10	56170-3AR-00C	前煞車總泵	Master Cylinder Ass'y, F.	W/O switch	1
11	NA-12019-B	六角耐落螺帽-2010版	Nut, Flange Insert Lock	M12×P1.75	2
12	94101-1426020	平面墊圈-2010版	Washer, Plate	14*26*2.0	4
13	53151-TMG-000	右護弓	R-Hand Guard (OPTION)		1
14	53152-TMG-000	左護弓	L-Hand Guard (OPTION)		1
15	53153-7MA-000	護弓固定座-蓋	Holder A, Hrandle Guard (OPTION)	TB管用(大孔)	2
16	53154-7MA-000	護弓固定座-座	Holder B, Hrandle Guard (OPTION)	TB管用(大孔)	2
17	91000-05016-04B	六角承窩螺栓(白鋅)	Bolt, Hex. Socket (OPTION)	M5×P0.8-16L	4
18	93701-08020B	十字半圓頭螺栓	Screw, Flat Head (OPTION)	M8*P1.25-20L	2
19	53156-TMG-000	間隔管	Spacer (OPTION)		2

**F10, Handlebar**



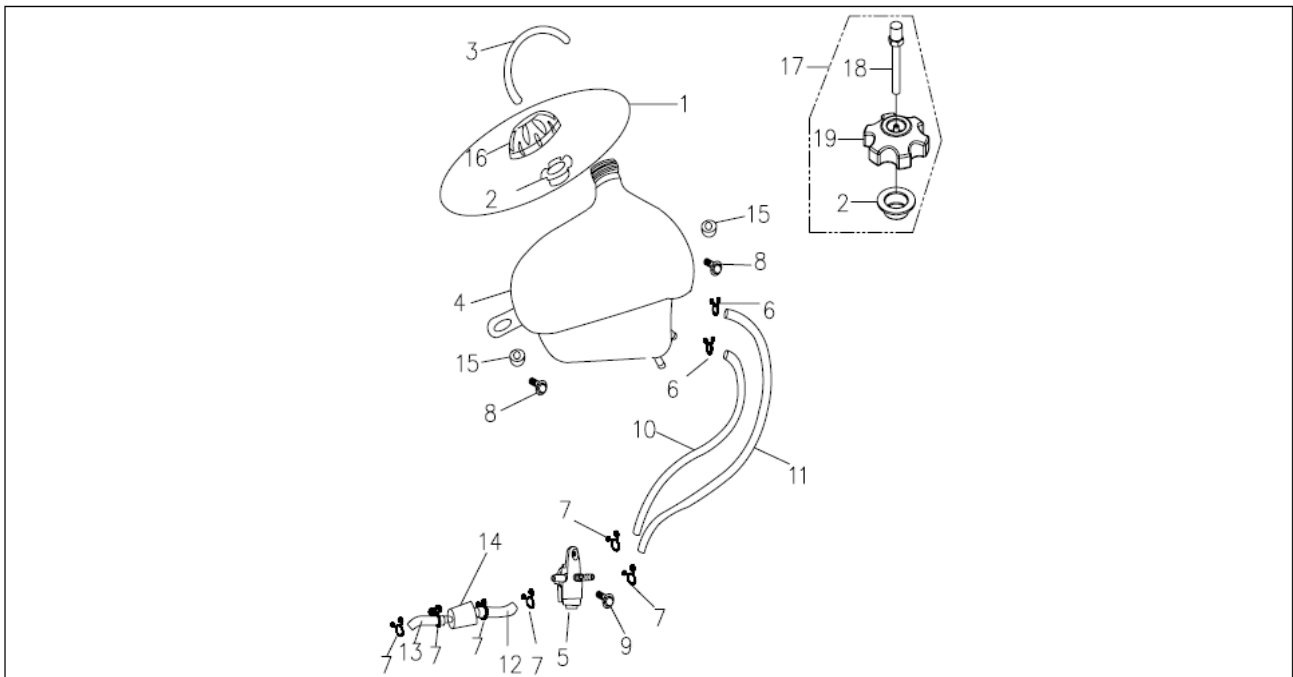
Item	Part No.	Part Name	Spec.	Q'ty
20	53157-TMG-000	塑膠管套 Spacer, Plastic (OPTION)		2
21	53155-TMG-000	固定螺栓 Bolt (OPTION)		2
22	53158-TMG-000	護弓固定桿 Stay, Handle Guard (OPTION)		2
23	53159-7MA-000	橡膠墊 Rubber Band(OPTION)		2
24	53120-7A1-000	防撞套 Pad, Handlebar	方型, APEX	1

F-11 Axle & Sprocket



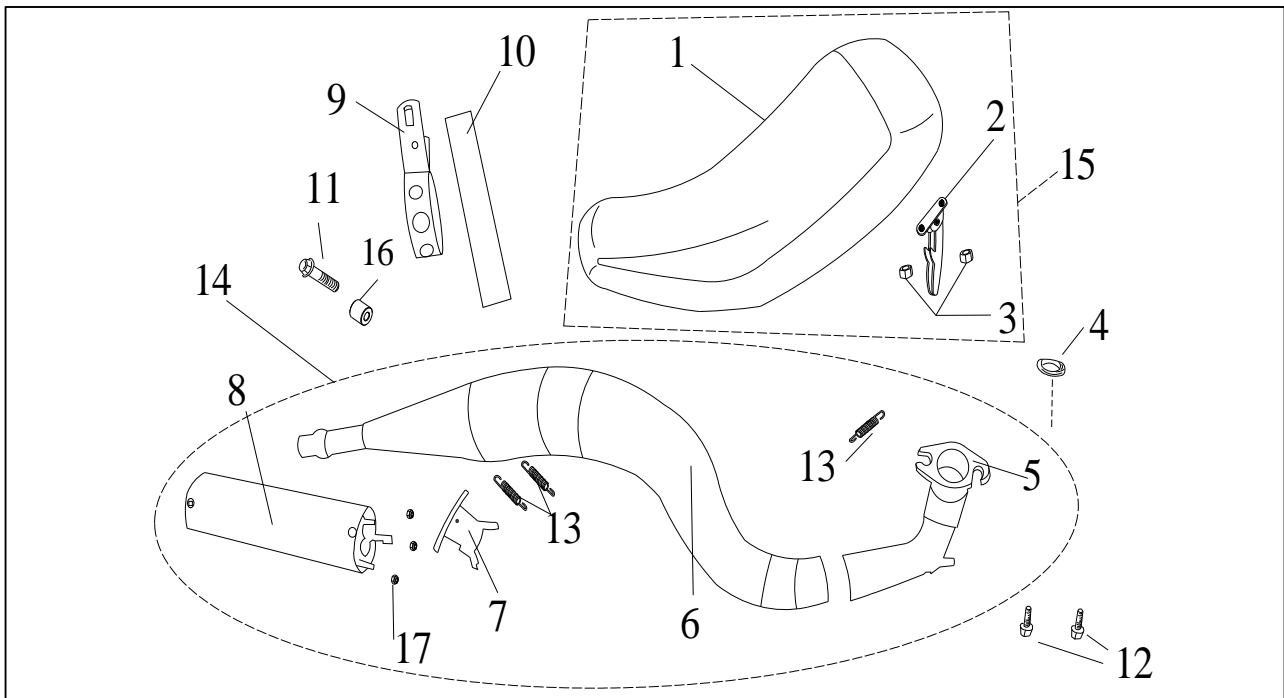
Item	Part No.	Part Name		Spec.	Q'ty
1	42300-3AR-00B	後輪軸	Axle, Wheel	30×864L	1
2	41200-428030	齒輪盤	Sprocket	428-30	1
3	42615-3AR-000	後鍊輪固定座	Bracket, Sprocket		1
4	SW08015 K	彈簧墊圈	Washer, Spring		3
5	91000-08025-2G	六角承窩螺栓	Bolt, Hex. Socket	M8*25	3
6	42331-3AR-000	後輪軸彈簧墊圈	Washer, Spring		1
(6)	<b>42331-3AR-000</b>	<b>後輪軸彈簧墊圈</b>	<b>Washer, Spring</b>		<b>2</b>
7	42330-3AR-000	後輪軸固定螺帽	Nut, Axle		2
8	40530-428090	鍊條	Chain	428-90	1
9	42611-7A1-000-BK	鏈輪護蓋	Protector, Sprocket	BLACK	1
(10)	<b>42330-7A1-000</b>	<b>後輪軸固定螺帽</b>	<b>Nut, Axle (OPTION)</b>	<b>CNC, BILLET</b>	<b>1</b>
(11)	<b>91000-06025-05B</b>	<b>六角承窩螺栓</b>	<b>Bolt, Hex. Socket (OPTION)</b>	<b>1/4"-20L</b>	<b>2</b>

**F-12 Fuel Tank**



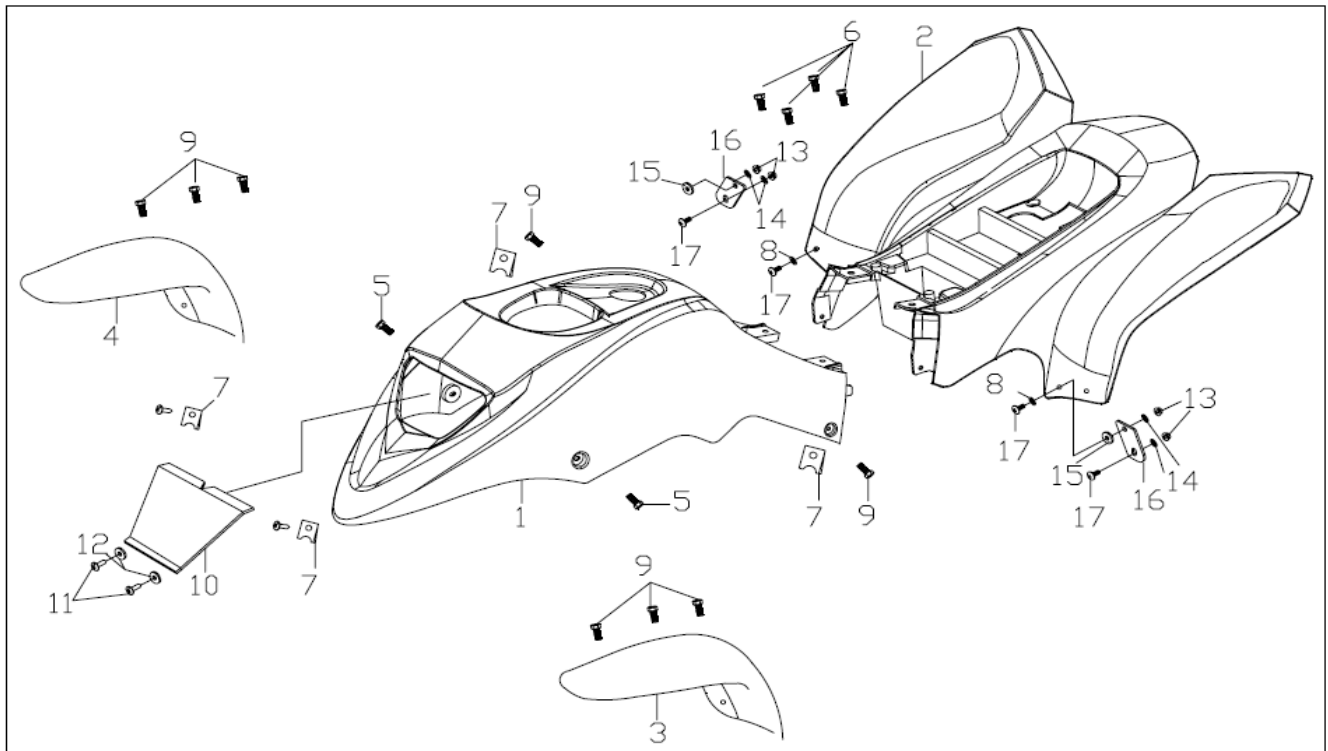
Item	Part No.		Part Name	Spec.	Q'ty
1	A17620-3AR-000	汽油箱蓋總成	Cap Ass'y, Fuel Tank	OEM	1
2	17622-3AR-000	汽油箱蓋密合墊	Seal, Cap		1
3	17630-08250	通氣管	Tube, Breathe	4.5×8×250L	1
4	17510-3AR-000	汽油箱	Tank, Fuel		1
5	16950-3AR-000	汽油杯	Cock Ass'y, Fuel		1
6	17631-3AR-000	汽油管止夾	Clip, Fuel Tube	0.8*10*13	2
7	16320-08008	止夾(小)	Clip, Fuel Tube	8×0.8	6
8	90112-06020-0G	六角緣面台階螺栓	Hex Flange, Shoulder Bolt	M6×20	2
9	95701-06012-07	六角緣面螺栓	Bolt , Hex. Flange	M6×12	1
10	17630-08290	汽油管 A 長	Tube A, Fuel	L=290	1
11	17630-08235	汽油管 B 短	Tube B, Fuel	L=235	1
12	17630-10100	汽油管 C	Tube C, Fuel	4.5×10×100L	1
13	17630-10110	汽油管 D	Tube D, Fuel	4.5×10×110L	1
14	16300-A2C4-000	汽油過濾器	Filter, Fuel	(PM-13-008)	1
15	17520-3AR-000	汽油箱橡膠塞	Rubber, Fuel Tank		2
16	17623-3AR-000	汽油箱蓋	Cap, Fuel Tank	OEM	1
(17)	<b>A17620-7A1-A00</b>	<b>油箱蓋總成</b>	<b>Cap Ass'y, Fuel Tank (OPTION)</b>	<b>AL, CNC Billet</b>	<b>1</b>
(18)	<b>17623-TMG-A00</b>	<b>油箱蓋通氣閥</b>	<b>Berather, Cap (OPTION)</b>	<b>AL, CNC Billet</b>	<b>1</b>
(19)	<b>17623-7A1-000</b>	<b>油箱蓋</b>	<b>Cap, Fuel Tank (OPTION)</b>	<b>AL, CNC Billet</b>	<b>1</b>

F-13 Seat & Exhaust Pipe (50/70cc)



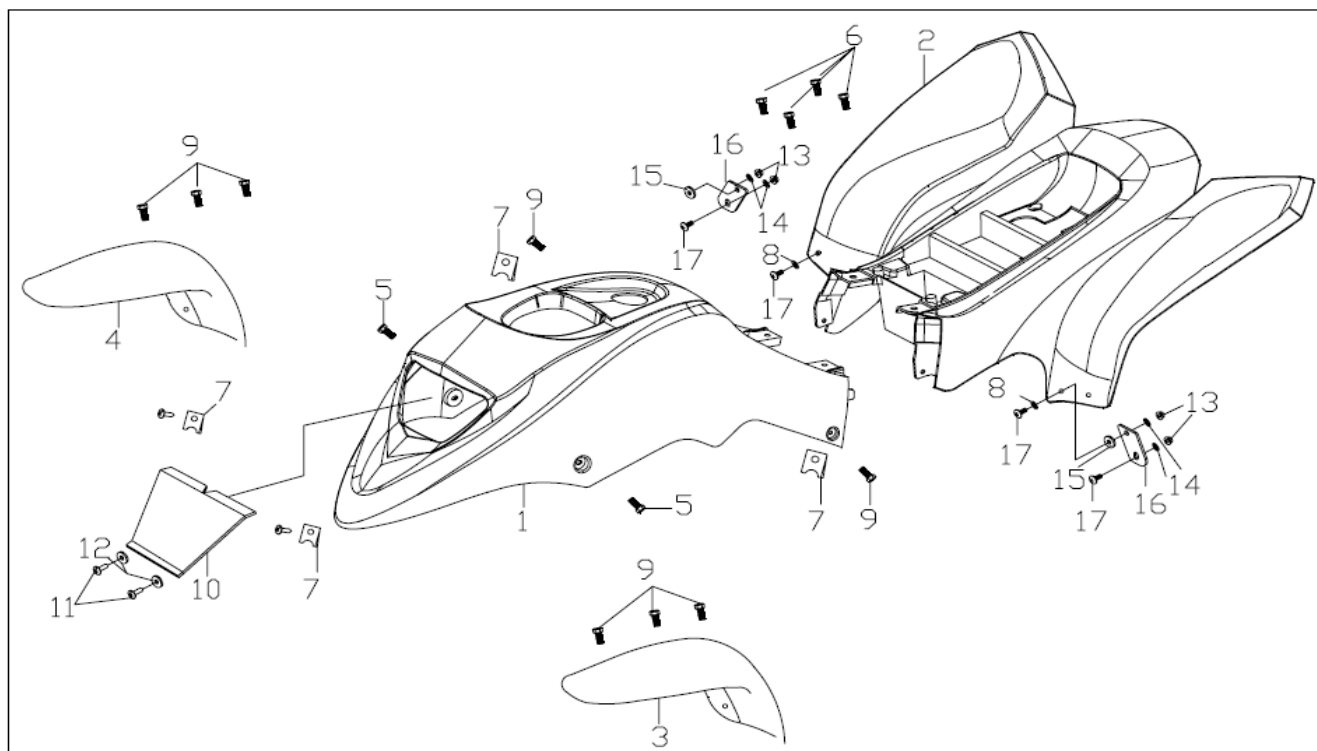
Item	Part No.		Part Name	Spec.	Q'ty
1	77200-3AR-0EM	坐墊	Seat	ATV-131	1
2	77230-3AR-000	坐墊開關總成	Lock Ass'y, Seat		1
3	94050-06000	六角緣面螺帽	Nut, Hex Flange with Serration		2
4	53420-3AR-000	排氣管墊片	Gasket, Exhaust Pipe		1
5	53480-3AR-026	排氣管頭中座	Pipe, Head	口徑26mm	1
6	53400-3AR-00H	排氣管本體	Exhaust Pipe	50專用	1
7	53481-3AR-001	排氣管尾座	Connector, Tail Pipe	50專用	1
8	53510-3AR-000	排氣管尾管	Pipe, Tail		1
9	52411-7A1-000	排氣管束	Clamp, Exhaust Pipe		1
10	53412-3AR-00A	排氣管橡膠條	Rubber, Exhaust Pipe		1
11	95801-08055-12B	六角緣面螺栓-耐落	Bolt , Hex. Flange	M8*P1.25-55L	1
12	91000-06012-18	六角承窩螺栓	Hex. Bolt, Socket	M6*12	2
13	53413-3AR-000	排氣管固定彈簧	Spring, Connector		3
14	A53400-3AR-00H	手工管總成	Pipe Ass'y Exhaust	50cc	1
15	77000-3AR-0EM	坐墊總成	Seat Ass'y	全黑	1
16	50150-0819-16B	間隔管(後剎車卡鉗)	spacer, Caliper Ass'y	8*19*16L	2
17	94050-05000	六角緣面螺帽	Nut, Hex Flange with Serration		3

F-14 Body Cover



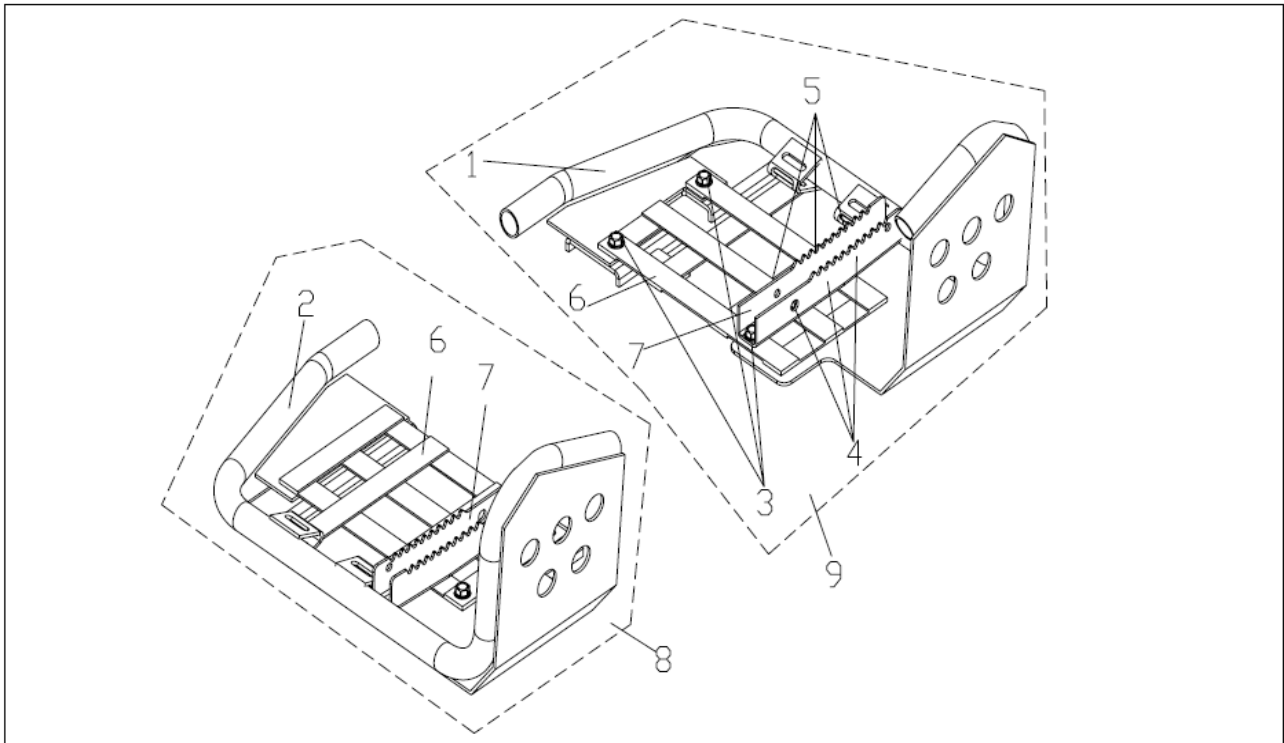
Item	Part No.	Part Name		Spec.	Q'ty
1	61320-3AR-OR0	前車殼	Body Cover, Front	ORANGE	1
	61320-3AR-BL0	前車殼	Body Cover, Front	BLUE	1
	61320-3AR-BK0	前車殼	Body Cover, Front	BLACK	1
	61320-3AR-YE0	前車殼	Body Cover, Front	YELLOW	1
	61320-3AR-WH0	前車殼	Body Cover, Front	WHITE	1
	61320-3AR-RE0	前車殼	Body Cover, Front	RED	1
2	64340-3AR-OR0	後車殼	Body cover, Rear	ORANGE	1
	64340-3AR-BL0	後車殼	Body cover, Rear	BLUE	1
	64340-3AR-BK0	後車殼	Body cover, Rear	BLACK	1
	64340-3AR-YE0	後車殼	Body cover, Rear	YELLOW	1
	64340-3AR-WH0	後車殼	Body cover, Rear	WHITE	1
	64340-3AR-RE0	後車殼	Body cover, Rear	RED	1
3	61200-3AR-ORA	左土除美式	Fender, L.	ORANGE	1
	61200-3AR-BLA	左土除美式	Fender, L.	BLUE	1
	61200-3AR-BKA	左土除美式	Fender, L.	BLACK	1
	61200-3AR-YEA	左土除美式	Fender, L.	YELLOW	1
	61200-3AR-WHA	左土除美式	Fender, L.	WHITE	1
	61200-3AR-REA	左土除美式	Fender, L.	RED	1

F-14 Body Cover



Item	Part No.	Part Name		Spec.	Q'ty
4	61100-3AR-ORA	右土除美式	Fender, R.	ORANGE	1
	61100-3AR-BLA	右土除美式	Fender, R.	BLUE	1
	61100-3AR-BKA	右土除美式	Fender, R.	BLACK	1
	61100-3AR-YEA	右土除美式	Fender, R.	YELLOW	1
	61100-3AR-WHA	右土除美式	Fender, R.	WHITE	1
	61100-3AR-REA	右土除美式	Fender, R.	RED	1
5	93404-06012-07	六角螺栓(附墊圈)	Bolt ,Hex. Flange with Washer	M6*12	2
6	90005-06012-17	十字大平頭螺栓	Bolt, Flate	M6*12	4
7	90344-06000K	夾片	Plate, Spring		2
8	93103-06014-08N	尼龍墊圈	Washer, Nylon		2
9	93404-06016-10G	六角螺栓附墊圈	Bolt ,Hex. Flange with Washer	M6*16	8
10	34310-3AR-000	前燈網罩	Mesh		1
11	TT-105120-U3	十字大平頭螺絲(自攻)	Bolt, Flate	M5*12	2
12	FW05014 K	平面墊圈	Washer, Plate	5.6*14*0.8	2
13	NN-06010B	六角尼龍螺帽	Nut, Hex Lock	M6xP1.0	4
14	94101-061810-B	平面墊圈	Washer, Plate	6.2*18*1.0	4
15	50536-7A1-000	橡膠墊	Damper, Rubber	7x20x3	2
16	52525-7A1-001	後蓋承座	Stay, Rear Cover		2
17	93701-06016B	十字扁圓螺栓	Screw, Flat Head	M6*16	4

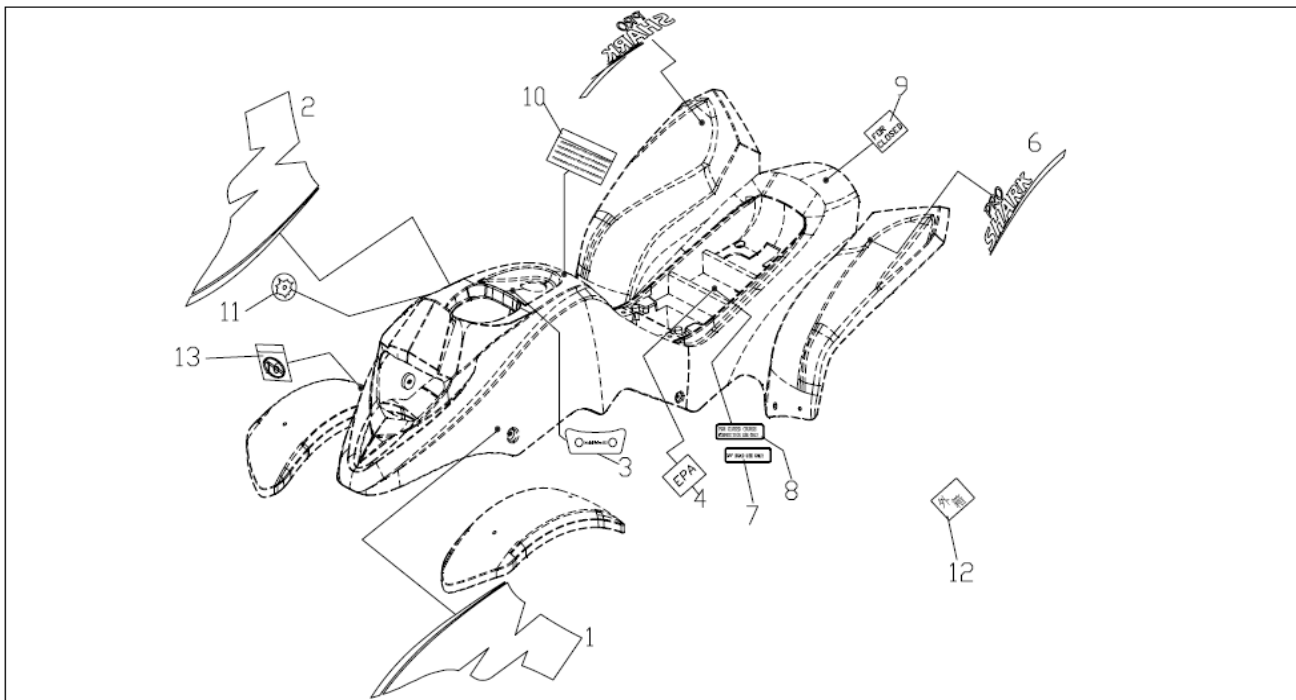
**F15 NERF Bar**



Item	Part No.		Part Name	Spec.	Q'ty
1	50820-7A1-000-SI	右鋁踏板	R. Bar, Nerf	SILVER	1
	50820-7A1-000-BK	右鋁踏板	R. Bar, Nerf	BLACK	1
2	50810-7A1-000-SI	左鋁踏板	L. Bar, Nerf	SILVER	1
	50810-7A1-000-BK	左鋁踏板	L. Bar, Nerf	BLACK	1
3	94000-08016	六角緣面螺栓	Hex. Acorm Washer Face Nut	M8×16	8
4	94000-06065	六角緣面螺栓	Hex. Acorm Washer Face Nut	M6x65	6
5	NN-06010-B	六角耐落螺帽	Nut, Hex Lock	M6×P1.0	6
6	50821-3AR-00A	腳踏板網	Net		2
7	50840-3AR-00A	腳踏板防滑座	Peg, Foot		2
8	A50813-7A1-000	左鋁踏板總成	L. Bar, Ass'y Nerf	SILVER	1
	A50813-7A1-00A	左鋁踏板總成	L. Bar, Ass'y Nerf	BLACK	1
9	A50823-7A1-000	右鋁踏板總成	R. Bar, Ass'y Nerf	SILVER	1
	A50823-7A1-00A	右鋁踏板總成	R. Bar, Ass'y Nerf	BLACK	1

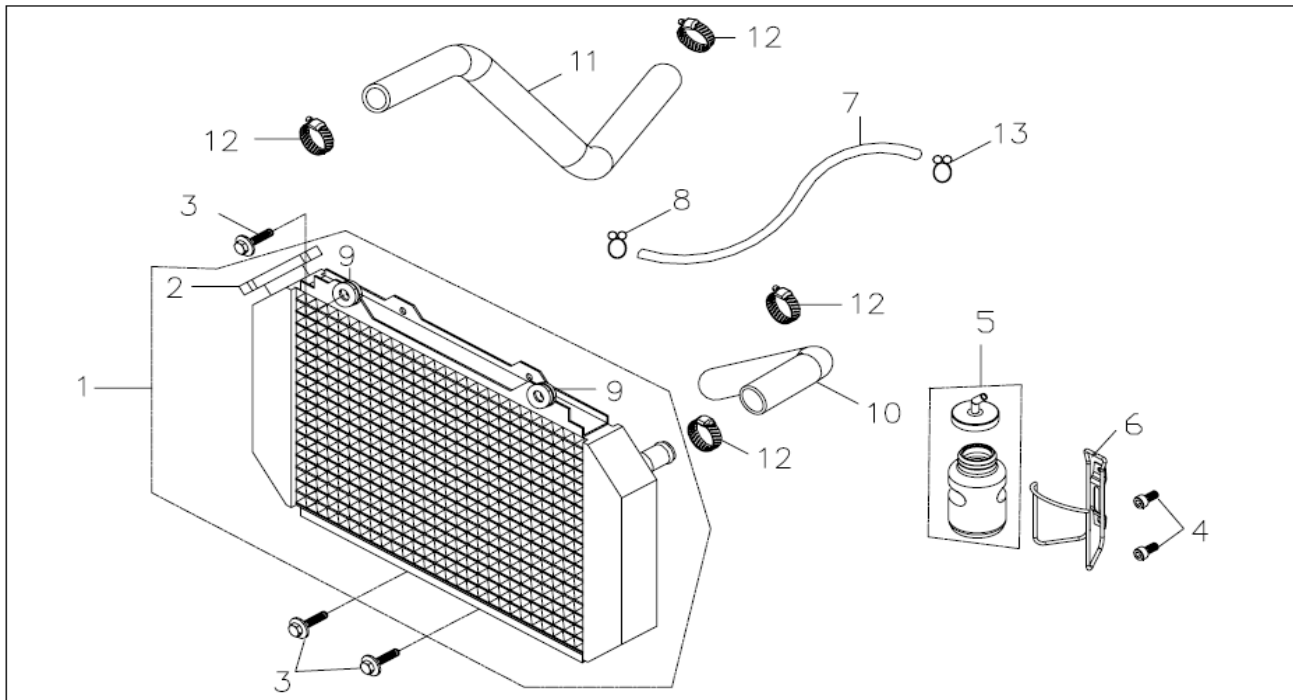


F-16 Sticker (UNI)



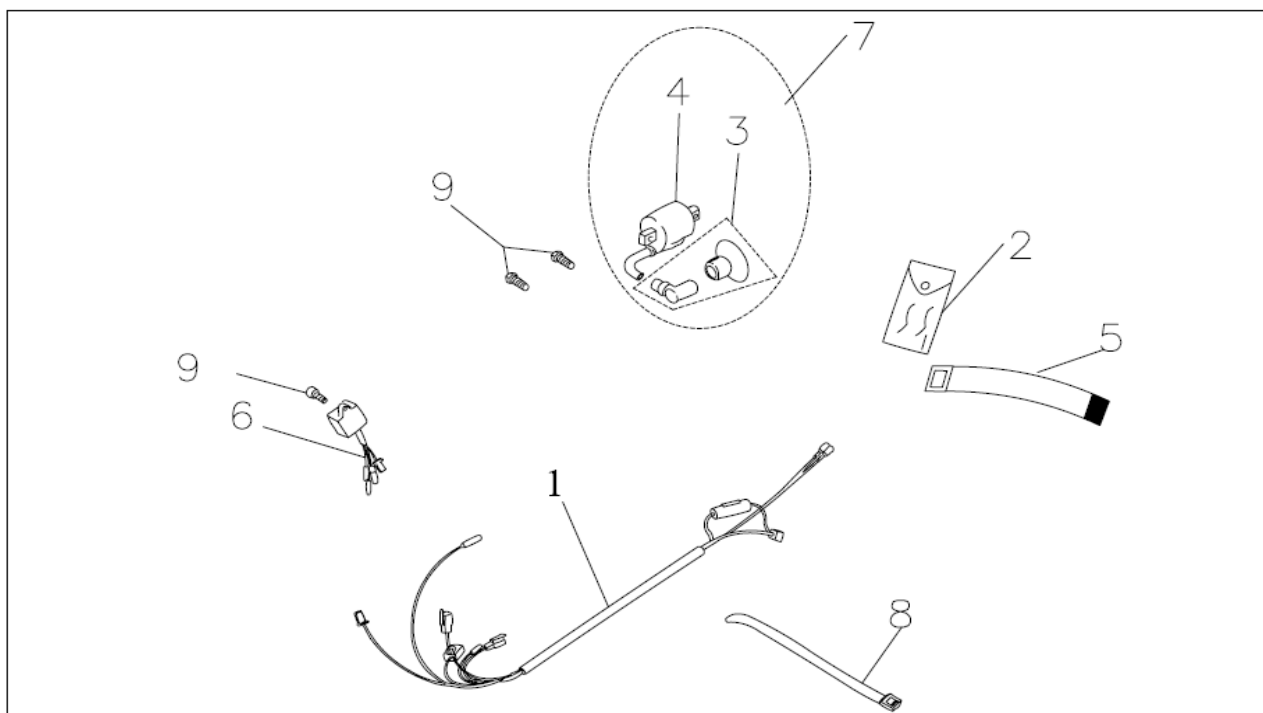
Item	Part No.		Part Name	Spec.	Q'ty
1	61321-SVCA-000	貼紙側蓋左前 (丹麥)	Side Sticker, L.		1
2	61322-SVCA-000	貼紙側蓋右前 (丹麥)	Side Sticker, R.	RED FLAME, USA	1
3	61323-3AR-000	前蓋指示燈貼紙	UNLEADED ONLY		4
4	64514-3AR-000	美國EPA貼紙	EPA Sticker	USA	4
5	64342-3AR-1EM	貼紙側蓋右後	Rear Sticker, R	PRO MX美國-銀	1
6	64341-3AR-1EM	貼紙側蓋左後	Rear Sticker, L.	PRO MX美國-銀	1
7	64518-3AR-000	競賽貼紙-1	Sticker, off road 1	USA	4
8	64517-3AR-000	競賽貼紙-2	Sticker, off road 2	USA	4
9	64512-3AR-0EM	警告貼紙	Warning Label, Racing	USA	4
10	61327-3AR-00EM	機油警告貼紙	Warning Label, Oil Mixture	混合比, USA	1
11	61329-3AR-000	電源鎖貼紙	Sticker, Key Switch		1
12	64519-3AR-000	運送疏失	Warning Label, Delivert	USA	4

F17, Radiator



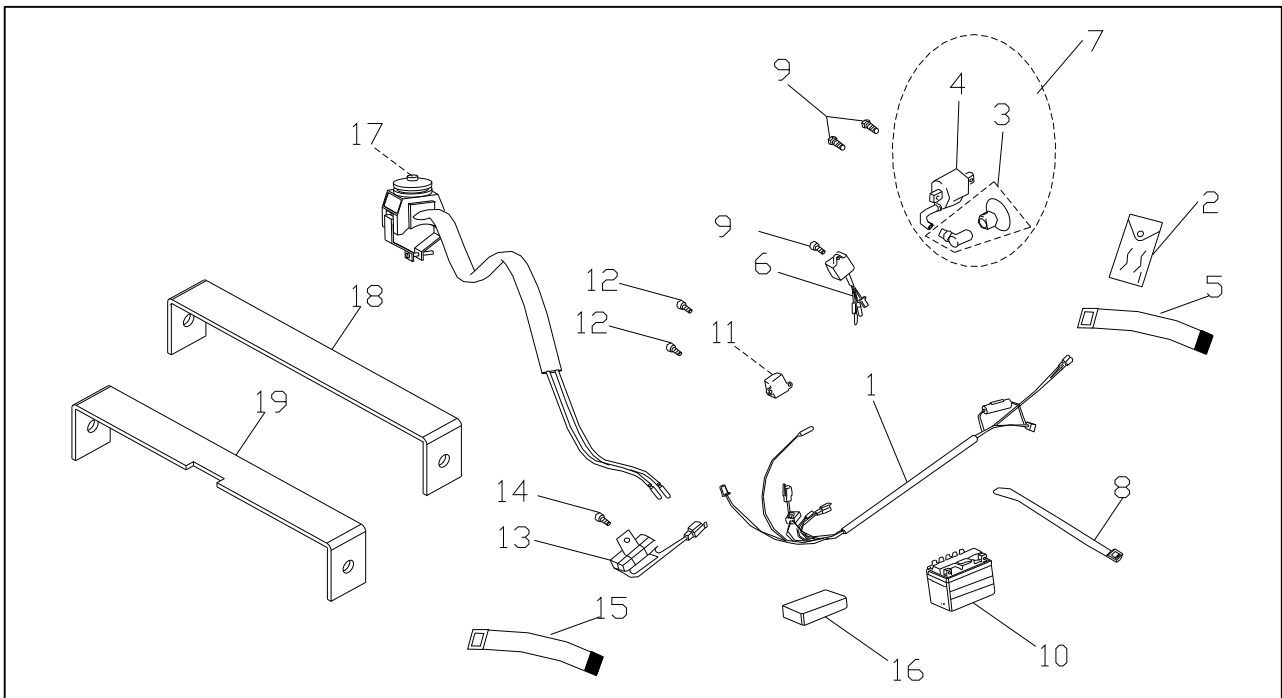
Item	Part No.		Part Name	Spec.	Q'ty
1	A15231-7A1-A0A	水箱	Radiator	AL	1
2	15232-7A1-000	水箱蓋	Cap, Liquid Cooler		1
3	91750-06020-10G	六角螺栓(附墊圈)		M6×20	4
4	91000-06010-07	六角承窩螺栓	Bolt, Hex. Socket	M6×10	2
5	19200-3AR-000	副水箱總成	Aux. Tank Kit, Liquid		1
6	19210-3AR-00A	副水箱架	Bracket, Aux. Liquid Tank	(塑膠)	1
7	95005-609-1240	洩壓管	Tube, Overflow	6x9x1124L	1
8	16320-08008	止夾(小)	Clip	8*0.8	1
9	15234-7A1-000	水箱吸震襯套	Rubber Absorber, Radiator	附屬品	4
10	15233-162440	冷卻水管C	Hose C, Liquid	L=440	1
11	15233-162610	冷卻水管A	Hose A, Liquid	L=610	1
12	16411-A2DL-000	管束	Clamp, Hose	美式 1 1/4"	4
13	16320-10012	止夾(大)	Clip	10*1.2	1

**F18, Electrical (W/O battery)**



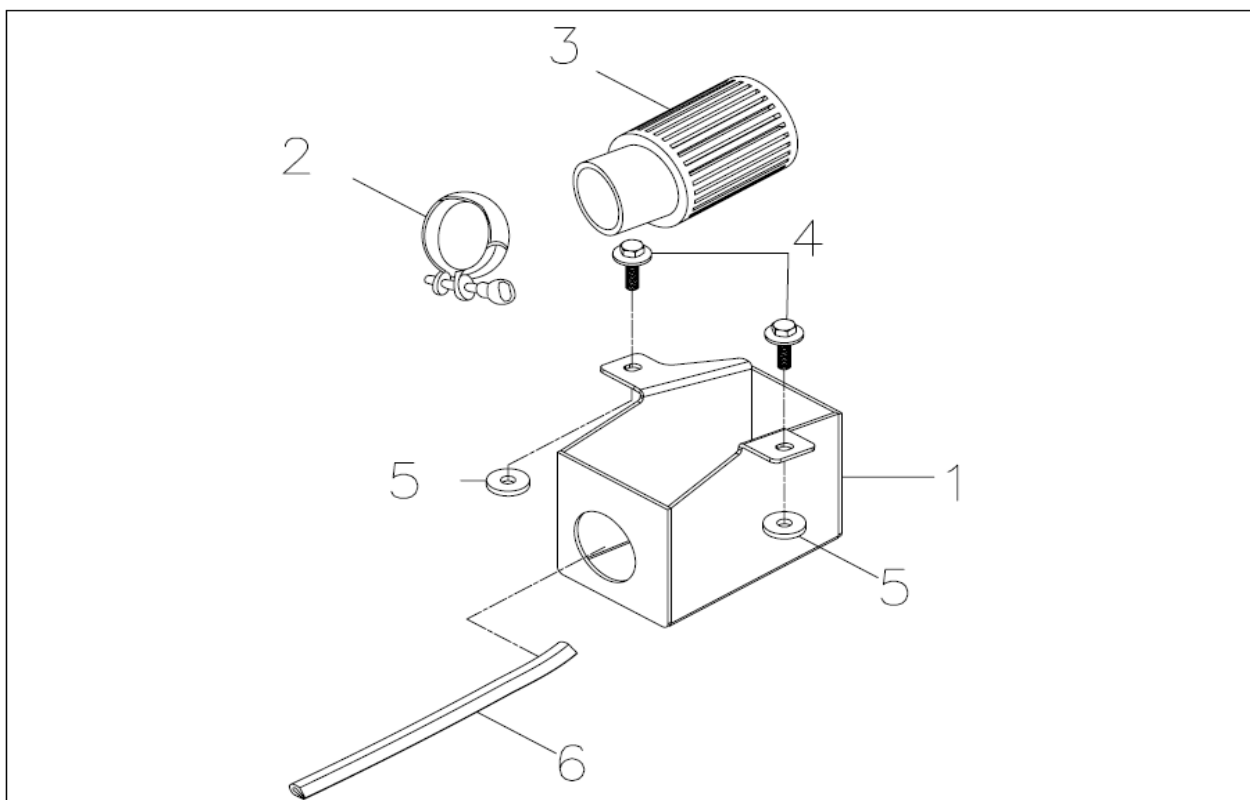
Item	Part No.		Part Name	Spec.	Q'ty
1	32100-3AR-00D	主配線無認證	Wire, Electric	Racing, W/O E-start	1
2	89010-3AR-000	工具包	Tool		1
3	30700-3AR-000	火星塞帽蓋	Cap, Spark Plug		1
4	30500-3AR-000	點火線圈	Coil, Ignition		1
5	89011-3AR-000	工具包束帶	Band, Tool		1
6	30410-3AR-00A	C.D.I電子元件	C.D.I Unit	Racing	1
7	30600-3AR-000	高壓線圈總成	Coil Ass'y, Ignition		1
8	89020-3AR-200	束帶200M黑	Strap	ALT-200MM	5
9	95701-06016-07	六角緣面螺栓	Bolt, Hex. Flange	M6x16	3

**F18, Electrical (W battery)**



Item	Part No.		Part Name	Spec.	Q'ty
1	32100-3AR-00F	主配線無認證	Wire, Electric	Racing, W. E-start	1
2	89010-3AR-000	工具包	Tool		1
3	30700-3AR-000	火星塞帽蓋	Cap, Spark Plug		1
4	30500-3AR-000	點火線圈	Coil, Ignition		1
5	89011-3AR-000	工具包束帶	Band, Tool		1
6	30410-3AR-00A	C.D.I電子元件	C.D.I Unit	Racing	1
7	30600-3AR-000	高壓線圈總成	Coil Ass'y, Ignition		1
8	89020-3AR-000	束帶	Strap	ALT-200MM	7
9	95701-06016-07	六角緣面螺栓	Bolt, Hex. Flange	M6x16	3
10	31500-3AR-00A	電瓶(4號)	Battery	4AH	1
11	31600-3AR-000	穩壓整流器	Rectifier & Regulator		1
12	93500-05012	十字圓頭螺栓	Bolt, Pan Phillips	M5x12	2
13	30800-3AR-000	電阻器	Resistor	8.5Ω	1
14	95701-06012-07	六角緣面螺栓	Bolt, Hex. Flange	M6x12	1
15	89011-3AR-00A	電瓶束帶	Strap, Battery	L=460mm	1
16	31800-3AR-000	電瓶座	Housing, Battery		1
17	35170-5BM-000	電啟動開關	Switch, Start		1
18	31700-3AR-000	電瓶固定座-A	Stay-A, Battery		1
19	31701-3AR-000	電瓶固定座-B	Stay-B, Battery		1

**F-19 Air Box**



Item	Part No.	Part Name		Spec.	Q'ty
1	17316-7A1-00A	空濾器外蓋	Air Box		1
2	16411-A2C4-00B	管束(空濾器用)	Clamp	32/50	1
3	17300-7A1-000	空氣濾清器(美國專用)	Air Box	(RU1280)	1
4	93404-06016-10G	六角螺栓附墊圈	Bolt ,Hex. Flange with Washer	M6*16	2
5	50536-7A1-000	橡膠墊	Damper, Rubber		2
6	17800-8A1-000	防震墊	Panel	210L	1