



No. 47-1, Zhongjheng Rd., Minsyong Industrial Zone,
Minsyong Township, Chiayi County, Taiwan, R.O.C. 621

Tel: +886-5-220-6695

Fax: +886-5-221-8320

e-mail: aone.motor@msa.hinet.net

PART LIST-ENGINE

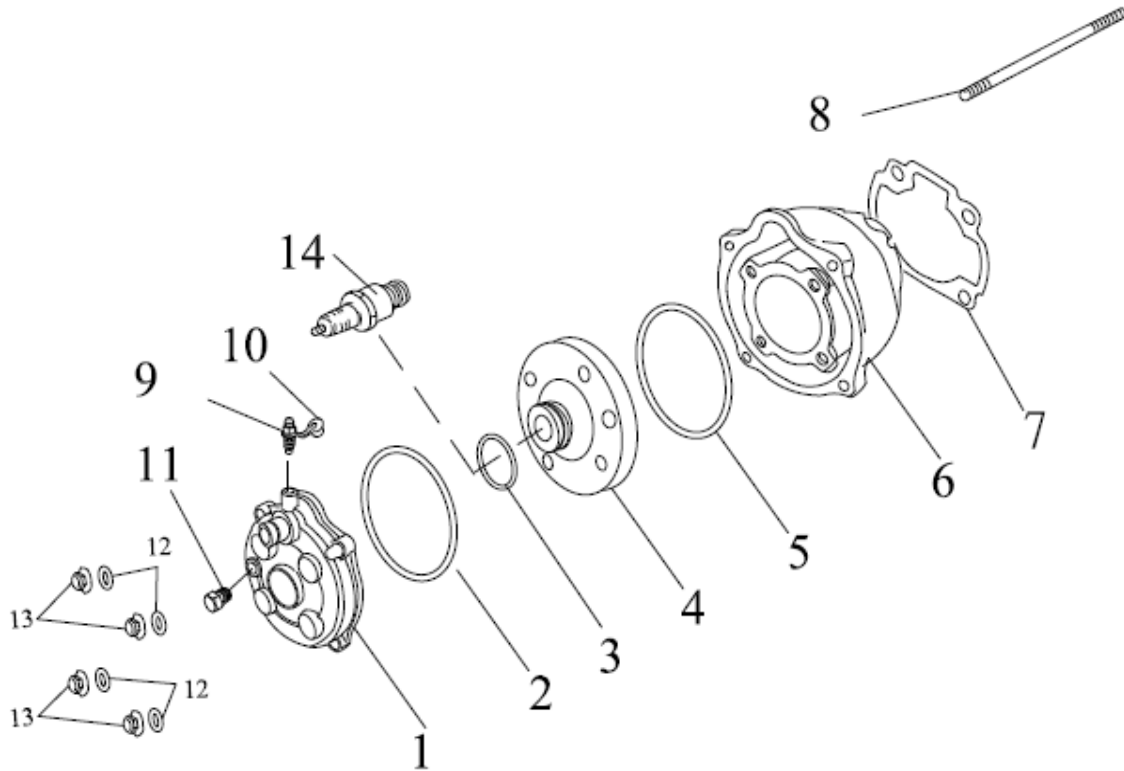
BOM NO.: 11000-A2BLR-UNI

制定部門： 設計課
編訂： 陳俊欽
審查： 陳俊欽
核准： 陳俊欽
發行日期： 2011.5.5

修改記錄

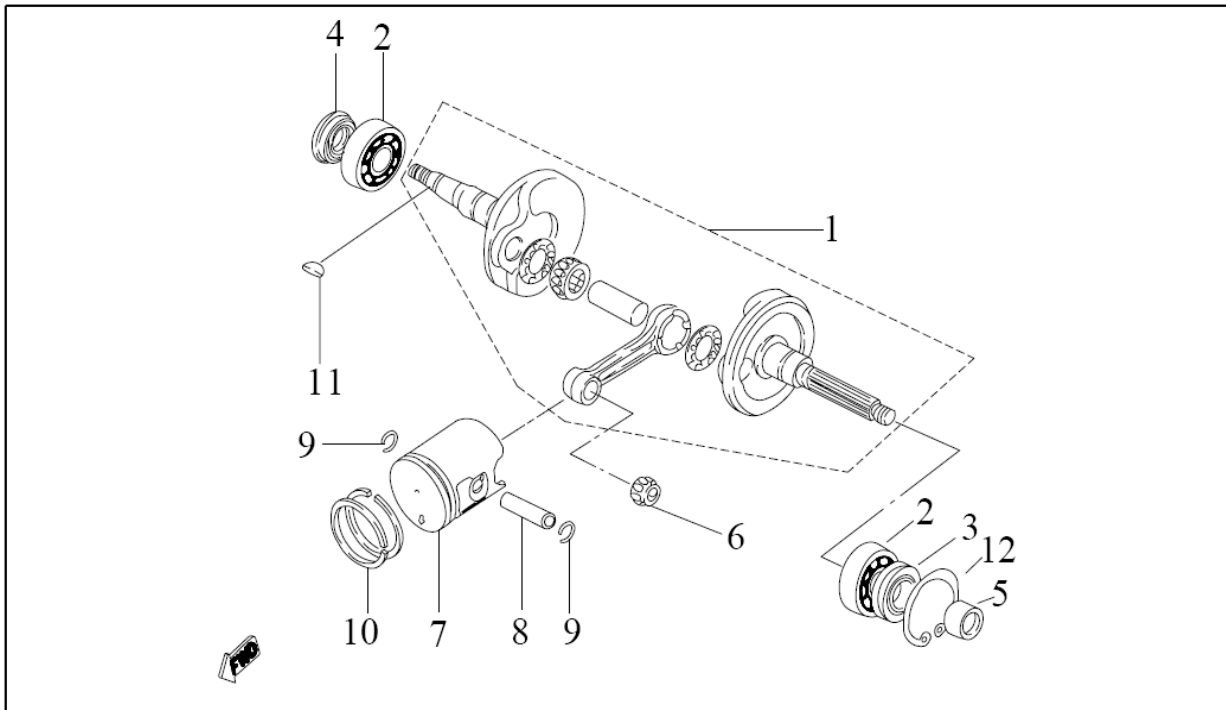
版別	原頁次	修訂日期	修訂摘要	新頁次	審核

E1, Cylinder, Cylinder Head & Spark Plug



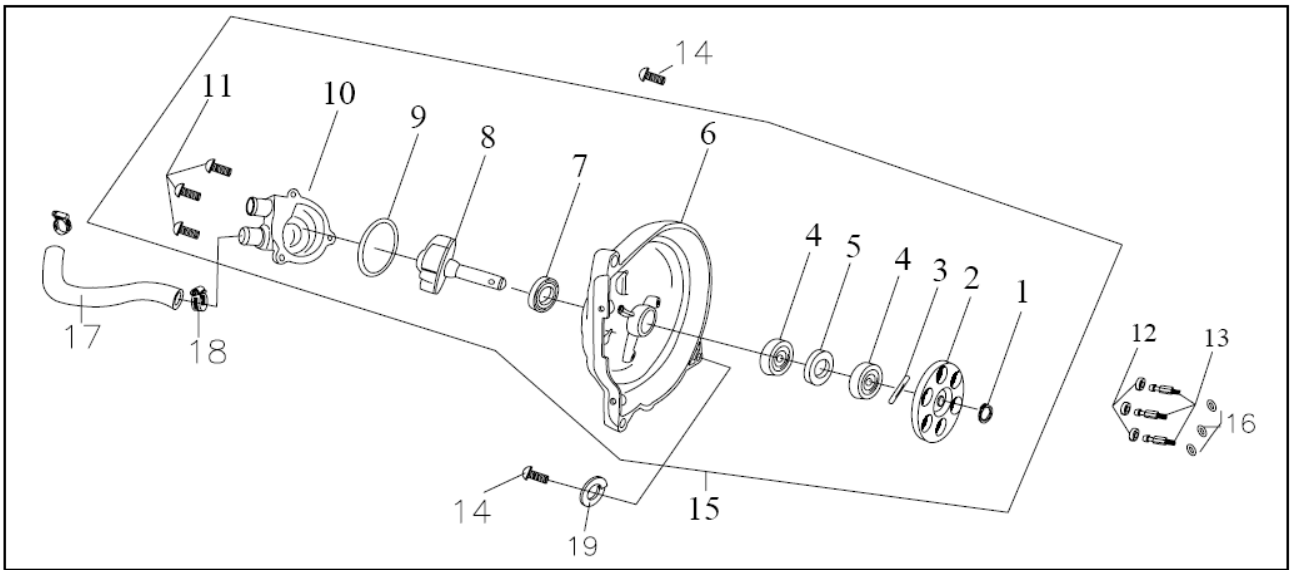
Item	Part No.	Part Name	Spec.	Q'ty
1	12210-A2BL-000	Head Cover, Cyl.		1
2	91300-105020	Ring, Oil	104.5*2.0	1
3	91300-240025	Ring, Oil	24*2.4	1
4	12200-A2BL-000	Head, Cylinder		1
5	91300-510020	Ring, Oil	51*1.9	1
6	12100-A2BL-000	Cylinder	39mm	1
7	12191-A2C2L-000	Gasket, Cylinder	0.8mm	1
8	90800-07109	Bolt, Stud	M7x109	4
9	15872-A2DL-000	Bolt, Leaking		1
10	15873-A2DL-000	Cap, Rubber		1
11	15240-A2DL-000	Sensor, Overheat		1
12	90442-071315	Washer, Copper	7x13x1.5	4
13	94200-07000	Nut, Cap	M7xP1.0	4
14	98069-NGK-BP8ES	Plug, Spark	BP8ES	1

E2, Piston, Crankshaft



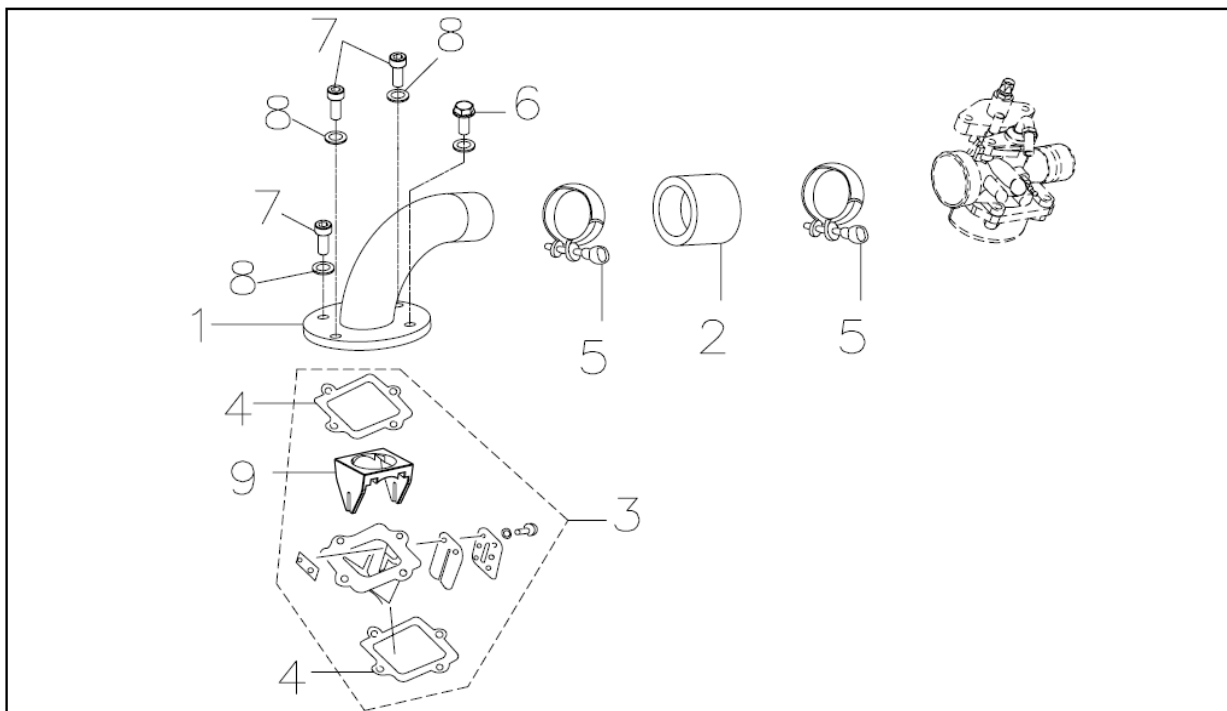
Item	Part No.	Part Name	Spec.	Q'ty
1	13000-A2B-000	Crankshaft Ass'y	S=39.2mm	1
2	96200-6204C3	Ball Bearing, Crankshaft	6204C3	2
3	91200-20428	Oil Seal, L. Crank	20x42/43x8/9	1
4	91200-20306	Oil Seal, R. Crank	20x30/33.5x6	1
5	13200-A2B-000	Collar	15x20x15	1
6	96110-KBK10	Bearing, Needle	10x14x12.5	1
7	13300-A2BL-000	Piston (std)	39mm	1
8	13400-A2B-000	Pin, Piston	6x10x33	1
9	13410-A2B-000	Clip, Piston Pin		2
10	13310-A2BL-000	Rings, Piston (std)	39mm	1
11	13010-A2C4-000	Key, Woodruff	3x13	1
12	90500-RTW32	Circlip	RTW-32	1

E-3, Pump Ass'y, Liquid



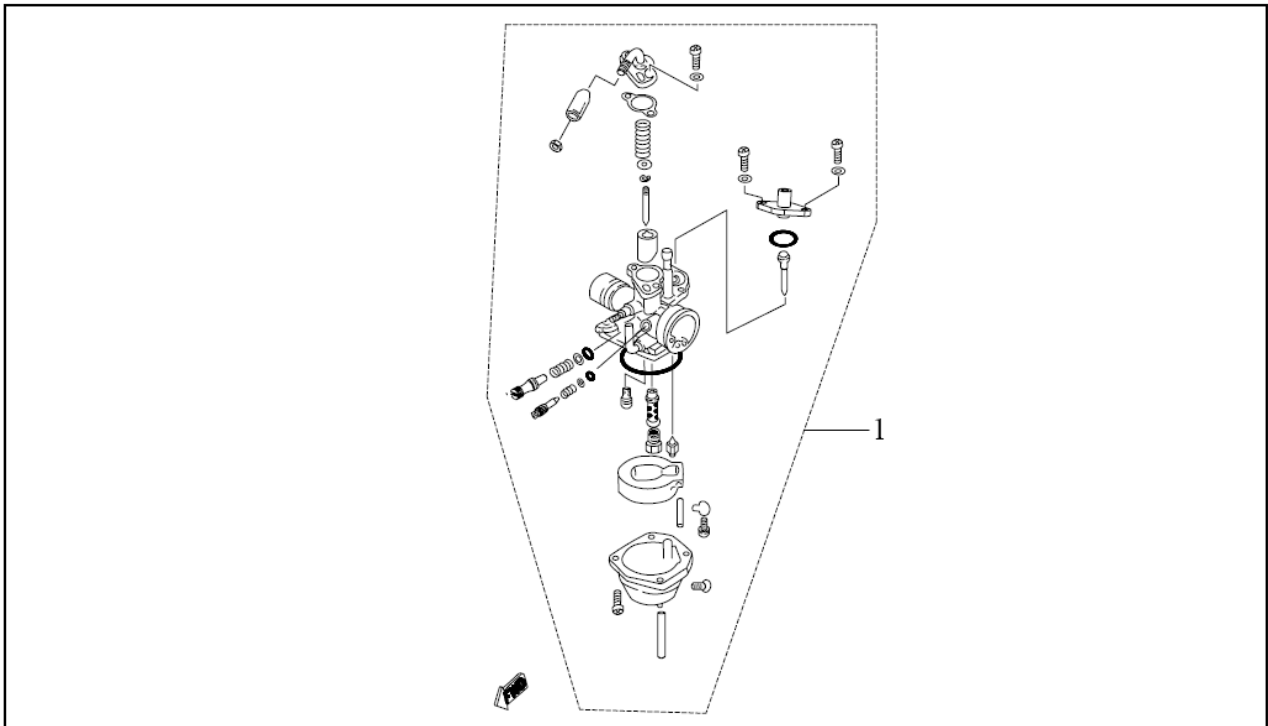
Item	Part No.	Part Name	Spec.	Q'ty
1	90601-S08	Cir. Clip, External	S-8	1
2	15211-A2DL-000	Drive Wheel, Pump		1
3	96220-030215	Pin	3x21.5	1
4	96100-608LLU-C3	Ball, Bearing	608LLU-C3	2
5	15216-A2DL-000	Collar	16*21.8*4.5	1
6	15212-A2DL-000	Body, Pump		1
7	91204-101804	Seal, Oil	10*18*4	1
8	15213-A2DL-000	Rotor Ass'y, Pump		1
9	91300-525020	Ring, Oil	52.0*2.0	1
10	15215-A2DL-000	Cap, Pump		1
11	91000-05020	Hex,Socket Bolt	M5x20	3
12	31130-A2DL-000	Plug, Rubber		3
13	15875-A2DL-000	Bolt, Drive Wheel		3
14	91000-06025	Hex,Socket Bolt	M6x25	2
15	15200-A2DL-000	Pump Ass'y, Liquid		1
16	90426-061310	Washer, Plate	6.5x13x1.0	3
17	15233-162421	Hose B, Liquid	L=210mm	1
18	16411-A2DL-000	Clamp, Hose	1"	2
19	SW-06510B	Washer, Spring	6.5x10x1.5	1

E4, Intake Manifold, Reed Valve



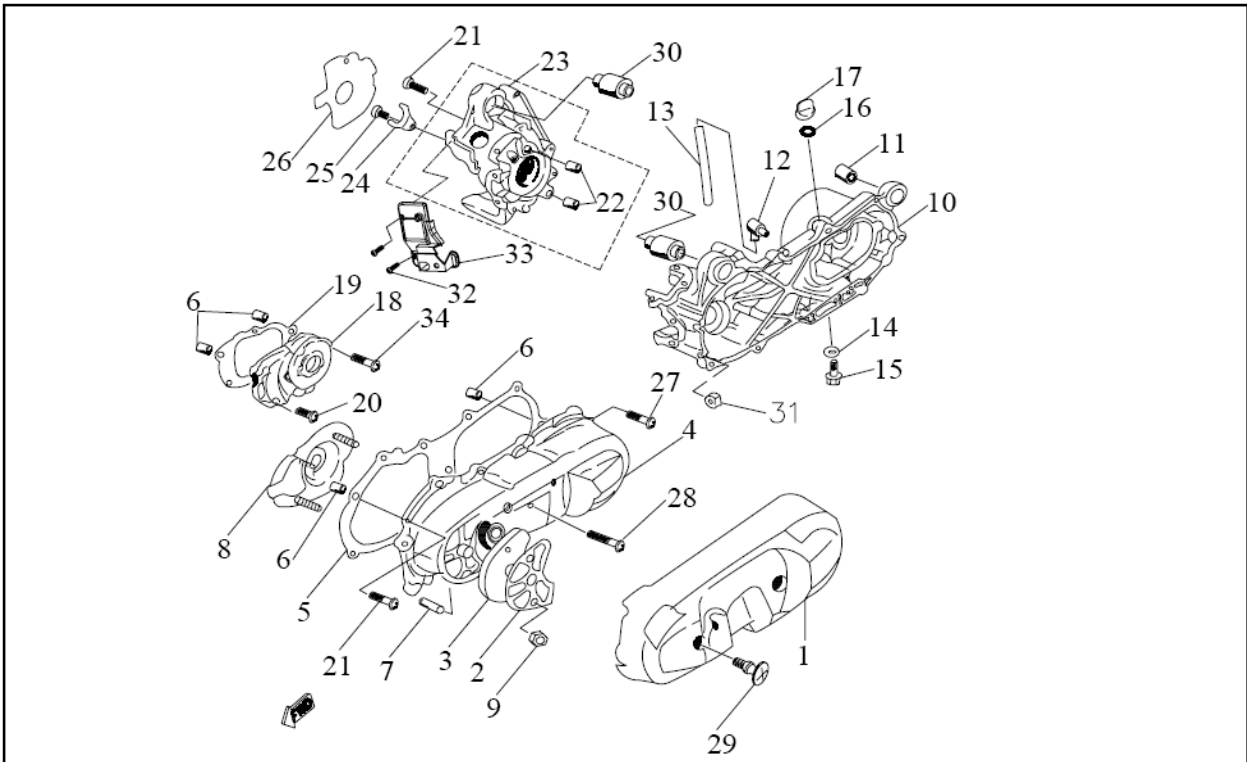
Item	Part No.	Part Name	Spec.	Q'ty
1	16410-A2C4-00C	Manifold, Intake		1
2	16413-A2C4-000	Connector, Rubber		1
3	14710-A2C4-00A	Reed Valve Ass'y		1
4	14711-A2C4-000	Gasket, Reed Valve	0.8mm	2
5	16411-A2C4-00A	Clamp	32/50	2
6	92100-06020-08B	Hex. Washer Face Bolt	M6x20	1
7	91000-06020-05B	Hex. Socket Bolt	M6x20	3
8	SW-06510B	Washer, Spring	6.5x10x1.5	4
9	14713-A2C4-000	Spacer	φ26mm	1

E5, Carburetor



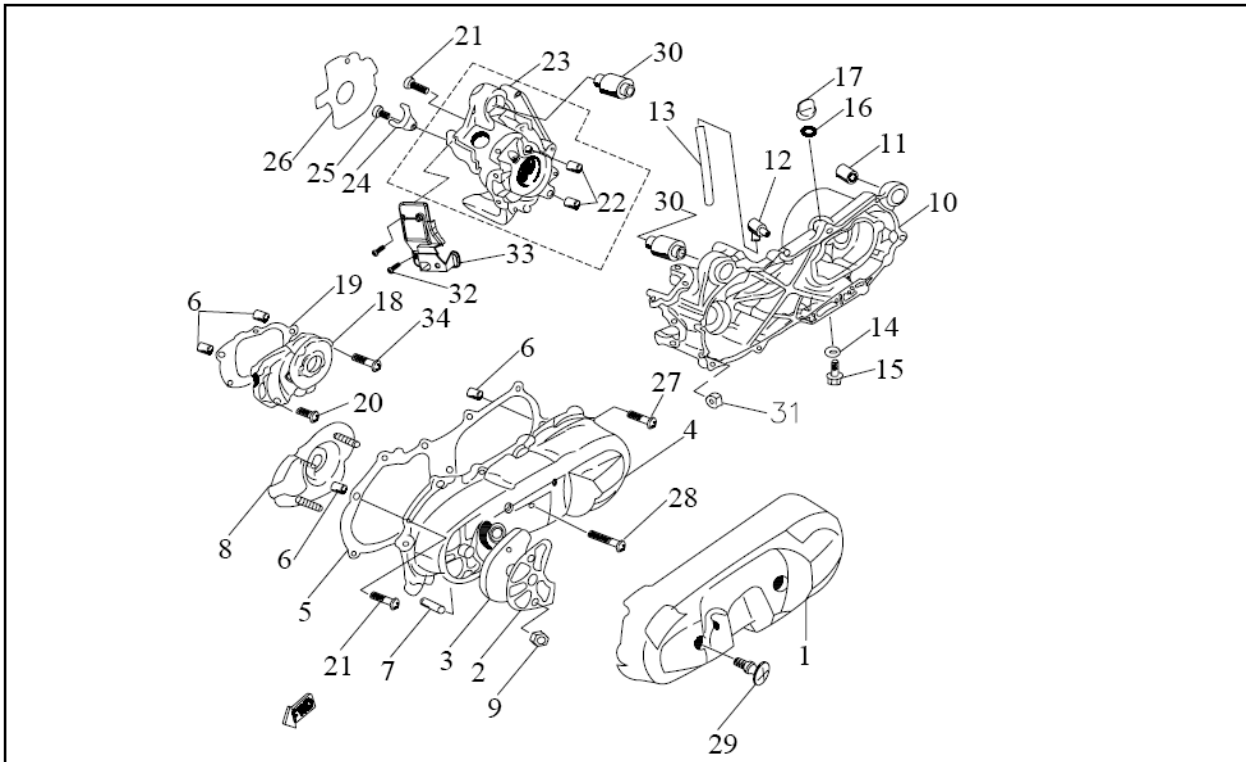
Item	Part No.	Part Name	Spec.	Q'ty
1	16100-A2C2-00A	Carburetor Ass'y (manual chock)	PWK21	1

E6, Crankcase



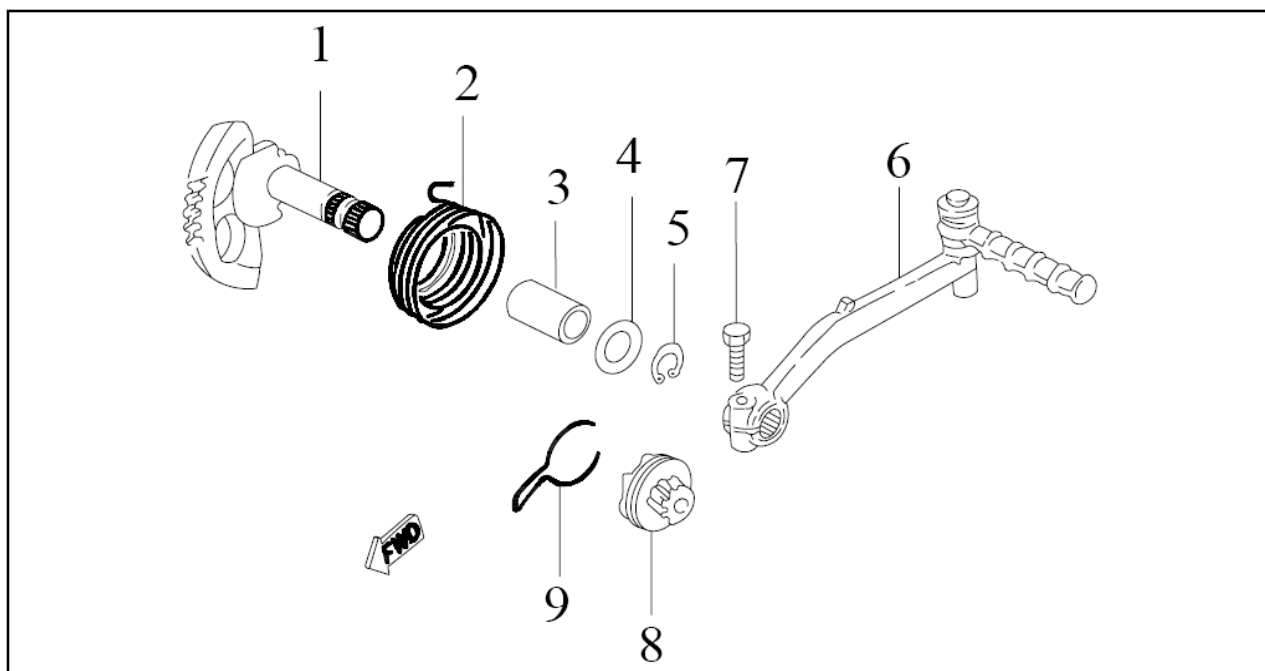
Item	Part No.	Part Name	Spec.	Q'ty
1	11341-A2C4-000	Protector, L. Crankcase Cover		1
2	11342-A2C4-000	Guide, Air Filter		1
3	11343-A2C4-000	Filter Element, L. Crankcase		1
4	11340-A2C4-000	Cover, L. Crankcase		1
5	11395-A2C4-000	Gasket, L. Crankcase		1
6	90703-081014	Pin, Dowel	10x14	4
7	11344-A2C4-000	Shaft	8x31	1
8	11345-A2C4-000	Fixed Plate, Filter Element		1
9	94000-06100	Hex. Acorn Washer Face Nut	M6xP1.0	3
10	11200-A2B-000	Crankcase, L.		1
11	97350-082021	Bush	8x20x21	1
12	11210-A2C4-000	Breather		1
13	11211-A2C4-000	Hose, Breather	5x100	1
14	90442-081515	Washer, Copper	8x15x1.5	1
15	92100-08016	Hex. Washer Face Bolt	M8x16	1

E6, Crankcase



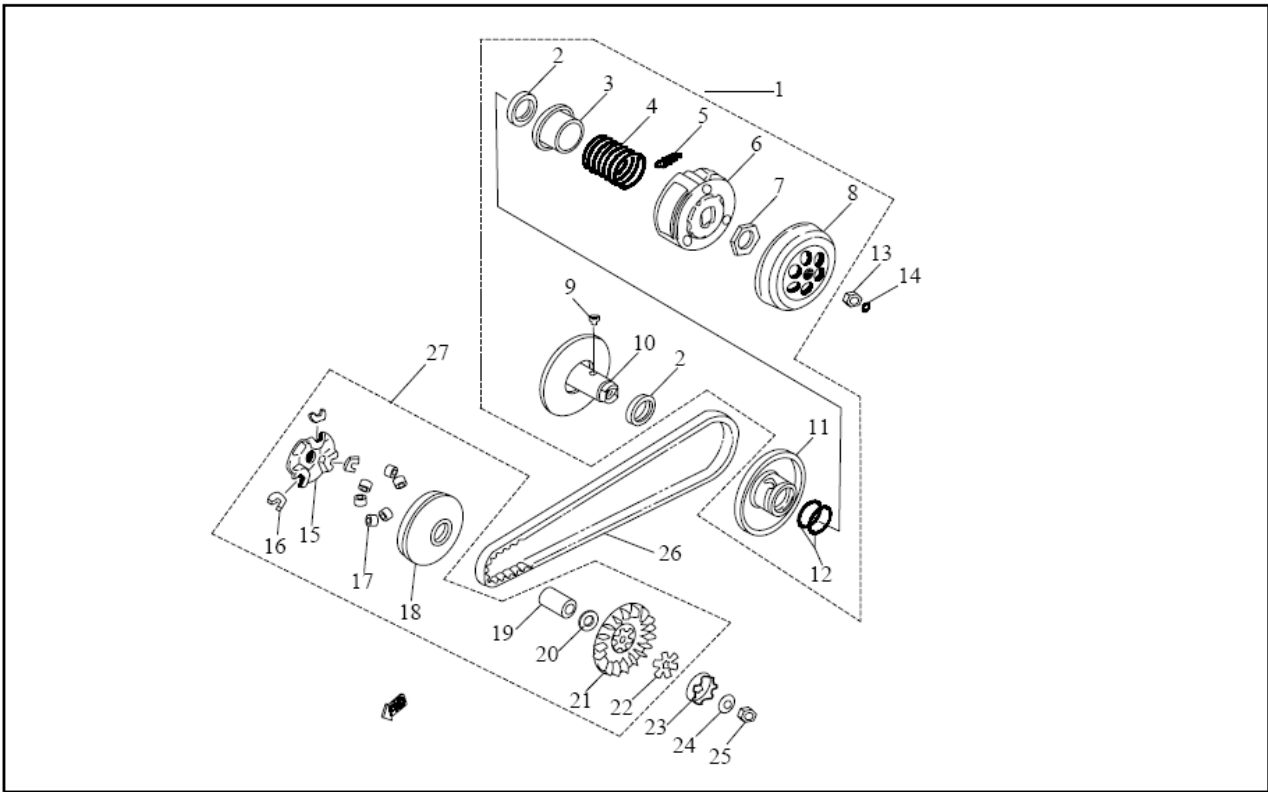
Item	Part No.	Part Name	Spec.	Q'ty
16	91300-138024	O-Ring	13.8x2.4	1
17	11212-A2C4-000	Plug, Oil		1
18	11400-A2C4-000	Cover, Transmission		1
19	11410-A2C4-000	Gasket, Transmission		1
20	93700-06020	Pan Phillips Bolt	M6x20	3
21	93700-06035	Pan Phillips Bolt	M6x35	10
22	90703-101216	Pin, Dowel	12x16	2
23	11100-A2B-000	Crankcase, R.		1
24	11110-A2C4-000	Holder		1
25	93700-06010	Pan Phillips Bolt	M6x10	1
26	31121-A2C4-000	Gasket, A.C.G		1
27	93700-06025	Pan Phillips Bolt	M6x25	8
28	93700-06065	Pan Phillips Bolt	M6x65	1
29	11346-A2C4-000	Bolt, Special		2
30	97350-123538	Bush	12x35x38	2
31	17110-A2C4-000	Grommet		2

E-7, Starter



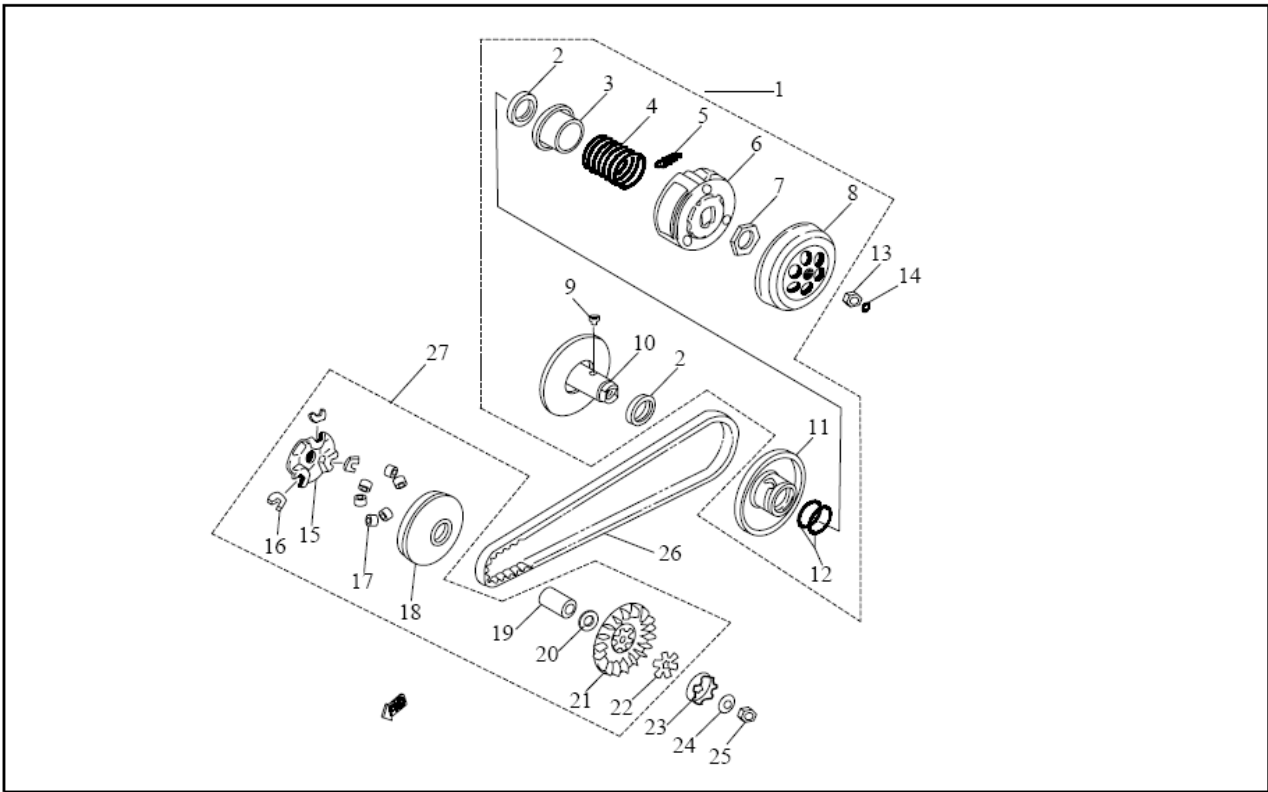
Item	Part No.	Part Name	Spec.	Q'ty
1	28211-A2C4-000	Kick Shaft Ass'y		1
2	28261-A2C4-000	Spring, Torsion		1
3	28251-A2C4-000	Bush, Kick Shaft	15x20x30	1
4	90426-152810	Washer, Plate	15.2x28x1	1
5	90600-STW15	Circlip	STW-15	1
6	28300-A2C4-000	Kick Crank Ass'y	競技型(LBD4)	1
7	92101-06022-0G	Hex. Bolt	M6x25	1
8	28221-A2C4-000	Kick Pinion Ass'y		1
9	28222-A2C4-000	Clip, Kick Pinion		1

E8 Clutch



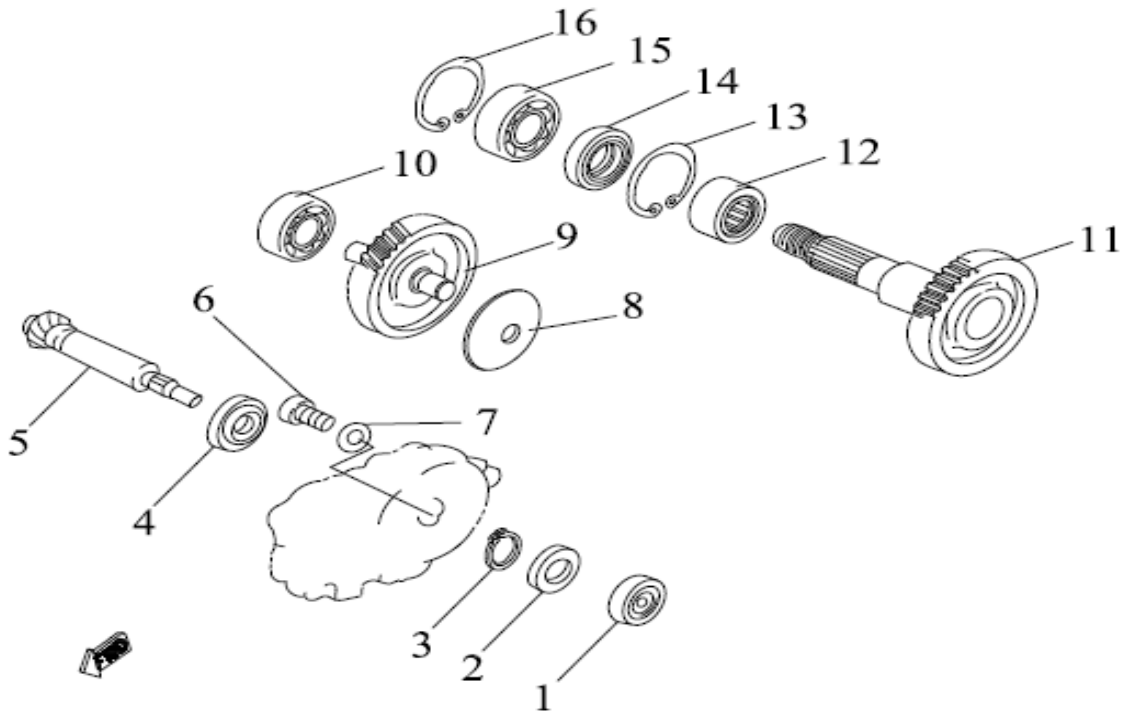
Item	Part No.	Part Name	Spec.	Q'ty
1	22300-A2B-000	Secondary Sheave Ass'y		1
2	91200-33394	Seal, Oil		2
3	22311-A2B-000	Seat, Secondary Spring		1
4	22312-A2C4-000	Spring, Compression	f4x92.5	1
5	22331-A2B-000	Spring, Clutch Weight	f4x7coils	3
6	22330-A2C4-00A	Carrier Ass'y, Clutch	450g	1
7	22332-A2B-000	Nut, Clutch		1
8	22340-A2B-000	House, Clutch		1
9	22313-A2B-000	Bearing, Ball		2
10	22310-A2B-000	Fix Sheave Comp., Secondary		1
11	22320-A2B-000	Sliding Sheave, Secondary		1
12	91300-360020	Oil-Ring		2
13	22341-10100	Hex. Acorm Nut	M10xP1.0	1
14	91300-125030	O-Ring	6.45x3.1	1
15	22411-A2B-000	Plate, Cam		1

E8 Clutch



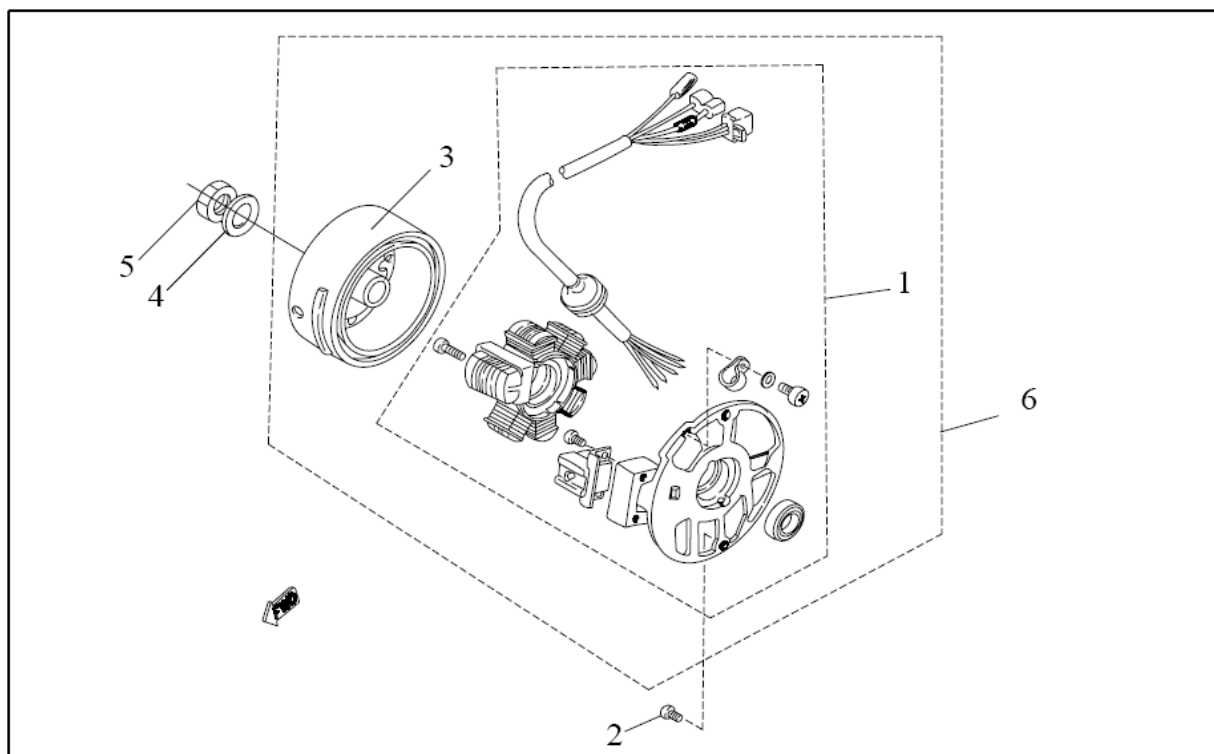
Item	Part No.	Part Name	Spec.	Q'ty
16	22412-A2B-000	Slider, Cam Plate		3
17	22413-A2B-060	Weight	6.0g	3
18	22410-A2B-000	Sliding Sheave, Primary		1
19	22414-A2B-000	Collar	13x18x38	1
20	22420-A2B-000	Fixed Sheave, Primary		1
21	22421-A2B-000	Washer, Clam		1
22	22422-A2B-000	Clutch, Oneway		1
23	94111-102426	Washer, Conical Spring	10.5x24x2.6	1
24	94100-10125	Hex. Acorn Nut	M10xP1.25	1
25	22500-A2C4-000	Belt, Drive	780x16.5x30	1
26	22400-A2B-000	Sliding Sheave, Ass'y		1

E-9, Transmission



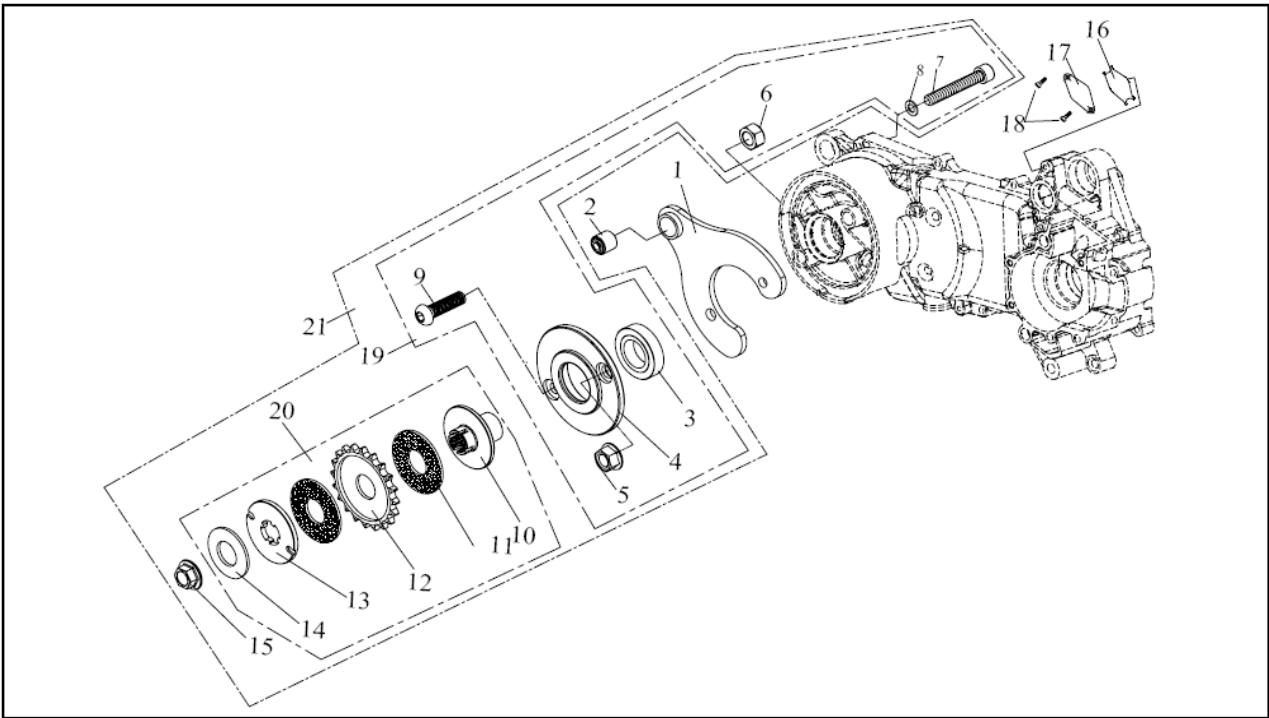
Item	Part No.	Part Name	Spec.	Q'ty
1	96210-638RD	Bearing, Ball	638RD	1
2	91200-172855	Seal, Oil	17x28x5.5	1
3	90500-S17	Circlip	S-17	1
4	96210-6003	Bearing, Ball	6003	1
5	23610-A2C4-0A0	Drive Gear, Primary	15T	1
6	91000-06010	Hex,Socket Bolt	M6x10	1
7	90426-061912	Washer, Plate	6.5x19x1.2	1
8	94111-126005	Washer, Conical Spring	12.3x60x0.5	1
9	23620-A2C4-0A0	Main Axle Comp.	11/47T	1
10	96210-6201	Bearing, Ball	6201	1
11	23630-A2C4-0A0	Gear, Driven	31T	1
12	96160-HMK2515	Bearing, Needle	HMK2515	1
13	90500-IRTW32	Circlip	IRTW-32	1
14	91200-253560	Seal, Oil	25x35x6	1
15	96210-6004LU	Bearing, Ball	6004LU	1
16	90500-RTW42	Circlip	RTW-42	1

E-10, Generator



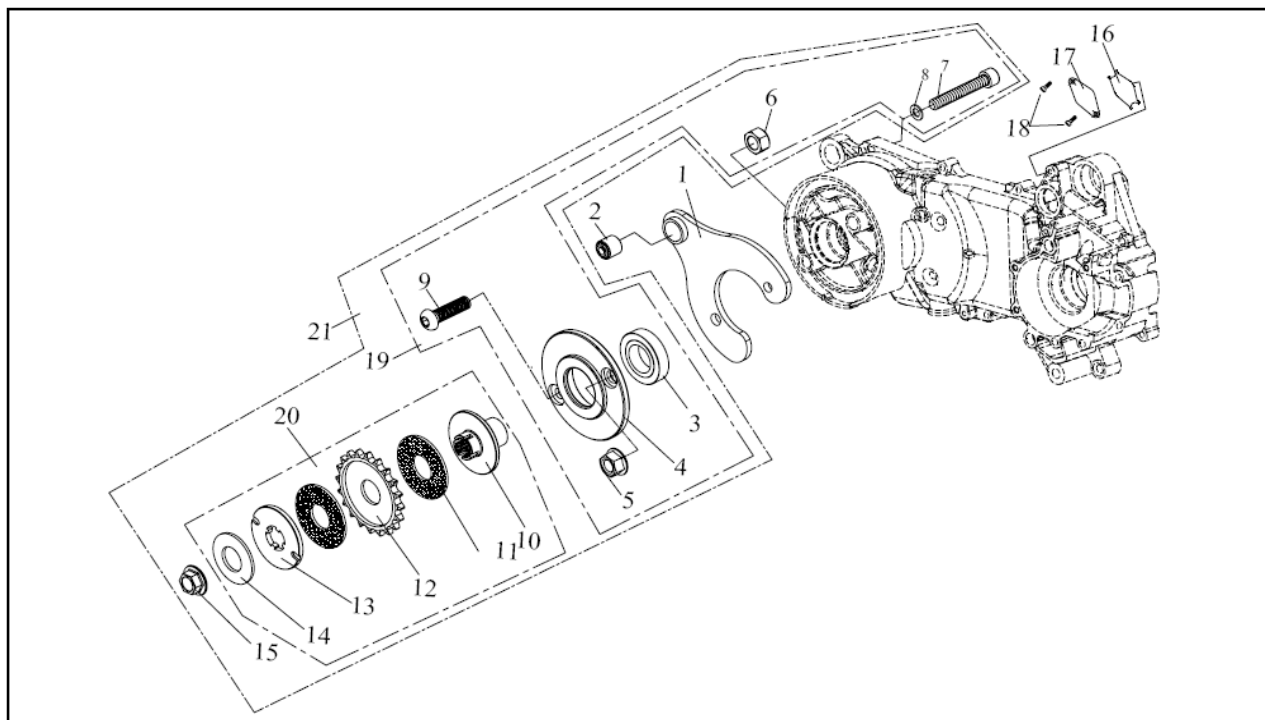
Item	Part No.	Part Name	Spec.	Q'ty
1	31120-A2C4-00B	Base Ass'y, Generator	有旋轉無發電	1
2	91000-06016	Hex. Socket Bolt	M6xP1.0x16	2
3	31100-A2B-000	Wheel, Fly		1
4	90426-102216	Washer, Plate	10x22x1.6	1
5	94100-10125	Hex. Acorn Nut	M10xP1.25	1
6	31000-A2B-00B	Generator Ass'y		1

E11, Crankcase Bracket, Gear Clutch



Item	Part No.	Part Name	Spec.	Q'ty
1	11347-A2C4-00A	Bracket, Crankcase		1
2	97350-082021	Bush	8x20x21	1
3	96210-6028	Bearing, Ball	6028	1
4	11349-A2DL-00A	Gear Holder		1
5	94001-10A14-08	Nut, Hex. Acorm Washer Face	M10xP1.25	1
6	NU-12019-C	Nut, Insert Lock	M12xP1.75	1
7	91000-10060-28L	Hex,Socket Bolt	M10x60	1
8	90442-101515	Washer, Copper	10.2*15*1.5	1
9	PZB340-120450-0C	Hex,Socket Bolt	M12x45	1
10	23804-A2B-002	Sprocket Holder	18T	1
11	23805-A2B-001	Brake Pad		2
12	23801-A2B-00C1	Sprocket	20T	1
13	23802-A2B-000	Friction Plate		1
14	94106-23051-04	Spring Washer	33x50x4	1
15	94053-14-32B	Nut	M14xP1.5	1

E11, Crankcase Bracket, Gear Clutch



Item	Part No.	Part Name	Spec.	Q'ty
16	31210-A2DL-000	Gasket, fixed Plate		1
17	31211-A2C4-000	Plate, Fixed		1
18	91000-06010	Hex. Socket Bolt	M6x10	2
19	11349-A2DL-A00	Gear Holder Ass'y		1
20	A23801-A2B-000	Sprocket, Ass'y		1
21	A23800-A2DL-000	Gear Clutch Ass'y		1